



# Product Catalogue Global

**February 2021**

Intelligent solutions  
with lasting effects

Visit [devi.com](https://www.devi.com)

## Experience the luxury of electrical heating designed by DEVI

### **DEVI - Intelligent solutions with lasting effect**

DEVI provides solutions for electrical heating with a dedicated focus on advanced and user friendly systems, delivering all products dedicated to this for both indoor and outdoor.

These solutions are covered by a wide range of products e.g. heating cables, heating mats, self-limiting cables, contemporary thermostats and accessories.

DEVI's heating solutions come from a long history covering 78 years of experience resulting in powerful Danish design products build with the highest standards of quality control.

DEVI products and solutions are applied almost every- an anywhere you can imagine. We deliver these solutions literally all over the world into a wide range of purposes e.g. in- and outside residential houses and apartments, public buildings, infrastructure, sports fields and specific areas ranging from elevators, trains to airports and complete highways.

### **DEVIwarranty™ up to 20-year guarantee**

DEVI delivers high quality products with lasting effect and offers the best warranties in the market.

DEVIwarranty™ is a series of 4 individual best in the market warranties: 20-year, 10-year, 5-year and standard 2-year, to give you full peace of mind while using DEVI products in electric heating systems.

For example our 20 years DEVIwarranty™ on cables and mats not only covers the products but all costs related resulting in a Full Floor Warranty.

This product catalogue that lies in front of you covers a wide range of our products and accessories and explains what to use for what purpose.

If you still have any specific requests of questions related to these or to any specific solution that you need, please don't hesitate to contact us as we will more than likely be able to help you.

Our quality management system **certifications and compliances**

✓ ISO 9001 ✓ TS 16949

✓ ISO 14001

Along with full compliance with EU directives and product approvals

## Applications overview

### **“Floor Heating”**

*Total heating & supplementary..... 4*

### **“Ice & snow melting”**

*Ground, roof and gutters & antennas and wires.....6*

### **“Pipe tracing”**

*Frost protection & temp. maintenance..... 8*

### **“Fields”**

*Football fields & seed beds.....10*

### **“Cold stores” and “Concrete hardening”**

*Preventing frost damage to foundations and floors ..... 12*

**“Other heating elements” ..... 14**

## Floor Heating

Underfloor heating provides the most comfortable indoor climate in all rooms. The heat distributed by underfloor cables or mats is more evenly than with heating methods relying on radiators or airborne systems.

DEVI intelligent solutions are invisible and saves space by eliminating the need for radiators, pipes and other installations.

Nowadays electrical floor heating solutions with intelligent thermostats provided by DEVI are not only comfortable but also energy efficient and environmentally friendly. You have to consider what kind of heating method is suitable for your needs before installing floor heating.

### Examples of floor heating by DEVI



#### Conrad Hotel, Beijing, China

Total area extends to around 3,000 m<sup>2</sup>.  
298 bathrooms areas

##### Products

DEVIflex™ 18T  
DEVIreg™ 330  
DEVICell™



#### Taş Evler, Antalya

Total heating installed in 16 villas  
4 000 m<sup>2</sup> - total power consumption  
is 230 kW.

##### Products

DEVIflex™ 18T – 13.750 m  
DEVIreg™ Touch – 200 pcs  
DEVIfast™ – 210 pcs



#### The Wedding Palace , Warsaw (Old Town), Poland

Project size 600 m<sup>2</sup>

##### Products

DEVImat™ 50 on 600 m<sup>2</sup>  
DEVIreg™ 550  
(replaced by DEVIreg™ Touch)

### Floor heating, total heating & supplementary heating

Total heating meaning the only source of heating and comfort heating meaning additional comfort heating. Electrical floor heating is very well suited for advanced timer-controls, so that you only heat up the room when you are actually at home, this is sound economy and good for environment.

			Applications			
			Concrete more than 3 cm	Thin concrete less than 3 cm	Dry solutions	Joist floors
<b>Cables and Mats</b>	<b>Standard</b>	<b>Mechanical class</b>	<b>Page no.</b>			
DEVIbasic™ 10S	IEC60800:1992	C	20	20		20
DEVIbasic™ 20S - 230 V	IEC60800:1992	C	21			
DEVIbasic™ 20S - 400 V	IEC60800:1992	C	21			
DEVIbasic™ Drum Goods	IEC60800:1992	C	22			
DEVIcomfort™ 10T	IEC60335-1 + IEC60335-2-96			24	24	24
DEVIflex™ 6T	IEC60800:2009	M2		16		16
DEVIflex™ 10T	IEC60800:2009	M2	17	17		17
DEVIflex™ 18T	IEC60800:2009	M2	18			
DEVIheat™ 150S, DEVIheat™ Mirror 150S	IEC60335-1 + IEC60335-2-96			36		
DEVIcomfort™ 100T	IEC60335-1 + IEC60335-2-96			33		
DEVIcomfort™ 150T	IEC60335-1 + IEC60335-2-96			34		
DEVIimat™ 70T	IEC60335-1 + IEC60335-2-96			26		
DEVIimat™ 100T	IEC60335-1 + IEC60335-2-96			28		
DEVIimat™ 150T	IEC60335-1 + IEC60335-2-96			30		
DEVIimat™ 200T	IEC60335-1 + IEC60335-2-96			32		
DTCE 100T	IEC60800:2009	M2	38			
DTCE 150T	IEC60800:2009	M2	39			
DTCE 175T	IEC60800:2009	M2	40			
DEVIdry™ 55	IEC60335-1 + IEC60335-2-96 + EN62233:2008				42	
DEVIdry™ 100	IEC60335-1 + IEC60335-2-96 + EN62233:2008				43	
DEVICell™					45	
<b>Thermostats</b>						
DEVIreg™ 130, 132	EN 60730-1 + EN 60730-2-9		91	91		
DEVIreg™ 233	EN 60730-1 + EN 60730-2-9		90	90		
DEVIreg™ 330 (5°C to 45°C)	EN 60730-1 + EN 60730-2-9		103	103		
DEVIreg™ 530, 531, 532	EN 60730-1 + EN 60730-2-9		93	93		
DEVIreg™ Opti	EN 60730-1 + EN 60730-2-9		95	95	95	95
DEVIreg™ Touch	EN 60730-1 + EN 60730-2-9		97	97	97	97
DEVIdry™ Pro Kit	IEC 60730 + IEC 60335-2-96				44	
DEVIreg™ Smart	EN 60730-1 + EN 60730-2-9		99	99	99	99

## Ice & snow melting

Many homeowners experience the challenges of ice and snow on the roof, in gutters, downpipes and on the driveway. Electric heating cables can minimize these problems. DEVI's ice and snow melting system is designed to provide comfort and safety for people, vehicles, and buildings.

## Ground applications

DEVI outdoor heating solutions clean snow and ice from your driveway and provide safe walking and driving.

The most common DEVI ice and snow melting applications on ground are car parks, driveways, pavements, outdoor steps, loading platforms, and bridges. DEVI's ice and snow melting system works well with most common surface covering materials such as asphalt, concrete, and tiles.

## Roof applications

Ice and snow melting systems offered by DEVI for roofs and gutters protect them from damages caused by icicles. The solution can be installed in any type of roof construction where there is a need to prevent melt water deposits in roof gutters and reduce damages to constructions like frozen facades and roofs.

In roof gutters and downpipes damage is prevented by an efficient and free draining of melt water, which naturally ensures that the system functions satisfactorily.

### Examples of ice&snow melting by DEVI



#### Örebro Castle, Sweden

Ice&snow melting system installed during complete roof renovation of the national monument

##### Products

1000 m of DEVliceguard™  
DEVI Easy Connect  
DEVireg™ 850



#### Metro, Sofia

780 square meters of stairway against ice and snow.

##### Products

Metro station 9-II "NDK":  
DEVIsnow™ 20T – 2,800 m  
DEVireg™ 850 – 3 and 8 digital ground sensors.  
Metro station 10-II "Sv. Naum":  
DEVIsnow™ 20T – 6,700 m  
DEVireg™ 850 – 3 and 12 digital round sensors.  
Metro station 11-II "James Baucher":  
DEVIsnow™ 20T – 2,050 m  
DEVireg™ 850 – 2 and 8 digital ground sensors.



#### Protokol Road, Ankara

Ice and snow melting installed on 3,5 km – total area is 17.000 m<sup>2</sup>

##### Products

DEVlasphalt 30T – < 245,000 m  
DEVireg™ 850 – 18 pcs.  
Ground Sensor – 56 pcs.  
DEVifast™ – 4050 pcs.

### Ice & snow melting, grounds, roofs & gutters and antennas & wires

When heating cables are installed to melt snow or slippery ice from ground areas, safety and cost savings go hand in hand. These systems can be used at home in pavements, driveways and walkways or in commercial car parks, ramps, steps and areas of drainage. It can even be used to melt snow and ice from mastic asphalt surfaces.

Cables and Mats	Standard	Mechanical class	Applications				
			Frost protection - antennas / wires	Roofs and gutters	Asphalt (mastic) - high temperature	Asphalt - low temperature	Pavements, roads and ramps
			Page no.				
DEVIsafe™ 20T - 230 V	IEC60800:2009	M2	50	50			50
DEVIsnow™ 20T - 230 V	IEC60800:2009	M2	53	53			53
DEVIsnow™ 20T - 400 V	IEC60800:2009	M2	53	53			53
DEVIsnow™ 30T - 230 V	IEC60800:2009	M2	55	55			55
DEVIsnow™ 30T - 400 V	IEC60800:2009	M2	55	55			55
DEVIsnow™ 300T - 230 V	IEC60800:2009	M2		57			57
DEVIsnow™ 300T - 400 V	IEC60800:2009	M2		57			57
DEVIsnow™ Drum Goods	IEC60800:2009	M2	59	59			59
DEVLasphalt™ 30T	IEC60800:2009	M2			60	60	
DEVLasphalt™ 300T - 230 V	IEC60800:2009	M2			62	62	
DEVLasphalt™ 300T - 400 V	IEC60800:2009	M2			62	62	
DEVliceguard™ Readymade (G)	SS 4242411		80	80			
DEVliceguard™ 18 Drum (B)	EN 62395-1: 2013		78	78			
DEVliceguard™ 18 Drum	EN 62395-1: 2013		76	76			
<b>Thermostats</b>							
DEVIreg™ 316	EN 60730-1 + EN 60730-2-9		105	105	105	105	105
DEVIreg™ 330 (-10°C to 10°C)	EN 60730-1 + EN 60730-2-9		103	103	103	103	103
DEVIreg™ 330 (5°C to 45°C)	EN 60730-1 + EN 60730-2-9		103		103	103	103
DEVIreg™ 610	EN 60730-1 + EN 60730-2-9		106	106	106	106	106
DEVIreg™ 850 IV	EN 60730-1 + EN 60730-2-9			109	109	109	109
DEVIreg™ Multi	EN 60730-1 + EN 60730-2-9		107	107	107	107	107

## Pipe tracing

DEVI's pipe tracing systems may be used for two main purposes:

1. Frost protection systems are installed where there is a need to prevent water and sanitary pipes from freezing and becoming ice-damaged.
2. Temperature maintenance systems ensure that hot water or fluid pipes maintain the required temperature.

DEVI's pipe tracing systems may be used on the inside and outside of pipes, for indoor and outdoor pipe networks as well as for pipes above and below the ground.

The advantages of the pipe tracing systems are:

- Ice-free pipes
- Constant flow in pipes
- Depth reduction for underground pipes
- No repair costs after a hard winter
- No hardening of fatty products in pipe systems
- Efficient hot water supply

### Examples of pipe tracing by DEVI



#### Situla Building, Ljubljana, Slovenia

DEVI was chosen for the pipe tracing solutions and heating roof, gutters & down pipes, as well as parking entrance.

##### Products

DEVIpipeguard™ 10  
 DEVIpipeguard™ 25  
 DEVIreg™ 330 thermostats  
 DEVIsnow™ 30T  
 DEVIreg™ 850 – 10 pcs.  
 Roof Sensors – 5 pcs  
 Ground Sensors – 13 pcs



#### Gas accounting knot, Odessa, Ukraine

All new knots were insulated and DEVI system was installed. Construction was slightly changed – cable is fixed with a glue stripe to the foliage of galvanized iron and it is placed in the knot bottom cable side down.

##### Products

DEVIflex™ 14 m  
 DEVIreg™ 131



#### Pipeline in Strzelce Opolskie, Poland

Electric heating of pipes to protect them against frost damage.

##### Products

DEVIflex™ 18  
 DEVIreg™ 330



### Pipe tracing, frost protection and temperature maintenance

During the winter, problems with frost in fresh water pipes, waste water pipes, cooling water pipes, supply water pipes and sprinkler systems can be avoided by heating the pipes internally or externally. The DEVI systems provide either a constant wattage system or a self-limiting system-

			Applications			
			Pipe tracing - temp. maintenance, externally	Pipe tracing - frost protection, externally	Pipe tracing - frost protection, internally	Pipe tracing - Domestic hot water- Externally
<b>Cables and Mats</b>	<b>Standard</b>	<b>Mechanical class</b>	<b>Page no.</b>			
DEVIbasic™ 10S	IEC60800:1992	C	20	20		
DEVIbasic™ 20S - 230 V	IEC60800:1992	C	21	21		
DEVIbasic™ 20S - 400 V	IEC60800:1992	C	21	21		
DEVIbasic™ Drum Goods	IEC60800:1992	C	22	22		
DEVIflex™ 6T	IEC60800:2009	M2	16	16		
DEVIflex™ 10T	IEC60800:2009	M2	17	17		
DEVIflex™ 18T	IEC60800:2009	M2	18	18		
DEVImulti™ PVC	IEC60800:1992	C	84	84		
DEVlaqua™ 9T - 230 V, DEVlaqua™ 9T - 400 V, DEVlaqua™ Special Order	IEC60800:2009	M1			48	
DEVipeheat™ 10 V2	IEC 60335-1:2012			46		
DEVIhotwatt™ 45	DIN VDE 0254: 1994-06					82
DEVIhotwatt™ 55	DIN VDE 0254: 1994-06					82
DEVIhotwatt™ 70	DIN VDE 0254: 1994-06					82
DEVipeguard™ 10 (B)	DIN VDE 0254: 1994-06		64	64		
DEVipeguard™ 25 (B)	DIN VDE 0254: 1994-06		64	64		
DEVipeguard™ 33 (B)	DIN VDE 0254: 1994-06		64	64		
DEVipeguard™ 10 (T)	EN 62395-1: 2013			68		
DEVipeguard™ 25 (T)	EN 62395-1: 2013			68		
DEVipeguard™ 33 (T)	EN 62395-1: 2013			68		
DEVipeguard™ 10 LSZH (T)	EN 62395-1: 2013		70	70		
DEVipeguard™ 25 LSZH (T)	EN 62395-1: 2013		70	70		
DEVipeguard™ 33 LSZH (T)	EN 62395-1: 2013		70	70		
DEVipeguard™ 30 Industry (PT-30)	VDE E 0254: 94		74	74		
DEVipeguard™ 60 Industry (PT-60)	VDE E 0254: 94		74	74		
<b>Thermostats</b>						
DEVIreg™ 316	EN 60730-1 + EN 60730-2-9		105	105	105	
DEVIreg™ 330 (-10°C to 10°C)	EN 60730-1 + EN 60730-2-9		103	103	103	
DEVIreg™ 330 (5°C to 45°C)	EN 60730-1 + EN 60730-2-9		103	103	103	
DEVIreg™ 330 (60°C to 160°C)	EN 60730-1 + EN 60730-2-9		103	103	103	
DEVIreg™ 610	EN 60730-1 + EN 60730-2-9		106	106	106	
DEVIreg™ Multi	EN 60730-1 + EN 60730-2-9		107	107	107	
DEVIreg™ Hotwater	EN 60730-1 + EN 60730-2-9		101	101	101	101

## Fields

DEVI electrical heating is the best solution for sports fields such as stadiums or golf-links but also for seed beds. Heating of seed beds can be used in greenhouses, cutting beds, seed beds and reproduction boxes.

## Sport fields heating

With DEVI electric heating solutions installed in football fields or golf courses the soil can be heated and the growth of grass can start in the early spring. The area will then be ready up to two months earlier than usual. Furthermore, the season can be prolonged in autumn when the period until the grass stops growing can be extended by means of heating the roots. Not only does DEVI very efficiently and energy aware prevent the field with artificial grass from being hit with frost and or snow when this is needed, it also serves as a growth and restoration stimulator for the natural grass. All this ensures a better pitch that can be used to the max irrespective of the season or location.

Applications for natural field grass keep the ground temperature on a certain level. They help to maintain and evolve the roots grass.

Artificial grass applications keep the field free from ice and snow.

### Examples of fields heating by DEVI



#### RSCA Anderlecht Stadium, Bruxelles, Belgium

Seed beds heating – 8000 m heated with 83 W/m<sup>2</sup> divided in 4 zones

#### Products

DEVI<sup>®</sup>sport™ DSM3 ready made with DSWA cold tail.



#### Reyford Golf Club – Golf Green Field Heating, Youngchun City, Kyungsangbuk-do

Golf Green Soil Heating to prevent icing and to facilitate the grass growing

#### Products

DEVI<sup>®</sup>snow™ 30 – 24 pcs (16 Rolls for 5th Green and 8 Rolls for Practice Green)



#### Fredrikstad Stadium, Norway

Electrical heating extends the seasonal use of the facilities equipped with artificial grass

#### Products

DEVI<sup>®</sup>heat™ 90 – 228 pcs.

## Seed beds heating

In order to speed up vegetation and reproduction in greenhouses the soil may be heated from early spring so the vegetation starts earlier and the harvest lasts longer. Besides, it facilitates the cultivation of heat requiring plants which normally only grow in subtropical/tropical latitudes.

In order to reach the necessary temperatures DEVI heating solutions are ideal and if they are equipped with electronic DEVI<sup>®</sup>reg™ thermostats and sensors, the energy consumption will be minimal.

### Examples of seed beds heating by DEVI



#### Atatürk Horticultural Central Research Institute, Yalova, Turkey

Seed beds heating on 2 tables of greenhouse sample – 15x1m<sup>2</sup> each

#### Products

DEVI<sup>®</sup>flex™ 10 – 280 m

DEVI<sup>®</sup>reg™ 535 – 2 pcs

DEVI<sup>®</sup>fast™ – 1 pc

### Fields, football fields and seed beds

With DEVI heating cables or heating mats in the ground you can heat the field and start the growing season early in the spring. The field can be ready for use up to two months earlier than usual. In this way the season can also be prolonged well into the autumn. DEVI also has excellent solutions for fields with artificial grass.

Cables and Mats	Standard	Mechanical class	Applications		
			Seed beds	New fields	Existing fields
			Page no.		
DEVIsafe™ 20T - 230 V	IEC60800:2009	M2	50		
DEVIsnow™ 20T - 230 V	IEC60800:2009	M2	53	53	
DEVIsnow™ 20T - 400 V	IEC60800:2009	M2	53	53	
DEVIsnow™ 30T - 230 V	IEC60800:2009	M2		55	
DEVIsnow™ 30T - 400 V	IEC60800:2009	M2		55	
DEVIsnow™ Drum Goods	IEC60800:2009	M2		59	
DEVIsnow™ 300T - 230 V	IEC60800:2009	M2		57	
DEVIsnow™ 300T - 400 V	IEC60800:2009	M2		57	
DEVI sport™	NF C 32-330:2002	MMM		88	88
DEVIheat™ Sport 90S	IEC60335-1 + IEC60335-2-96			86	
DEVIflex™ 10T	IEC60800:2009	M2	17		
DEVIflex™ 18T	IEC60800:2009	M2	18		
DEVIbasic™ 10S	IEC60800-1992	C	20		
DEVIbasic™ 20S - 230 V	IEC60800-1992	C	21		
DEVIbasic™ 20S - 400 V	IEC60800-1992	C	21		
DEVIbasic™ Drum Goods	IEC60800-1992	C	22		
<b>Thermostats</b>					
DEVIreg™ 316	EN 60730-1 + EN 60730-2-9		105	105	105
DEVIreg™ 330 (-10°C to 10°C)	EN 60730-1 + EN 60730-2-9		103	103	103
DEVIreg™ 330 (5°C to 45°C)	EN 60730-1 + EN 60730-2-9		103	103	103
DEVIreg™ 610	EN 60730-1 + EN 60730-2-9		106	106	106
DEVIreg™ Multi	EN 60730-1 + EN 60730-2-9		107	107	107

## Cold stores

Heating up the floor construction in a cold store is a necessity in order to protect the building from the floor in cold stores or ice stadiums, etc.

In cold stores where the temperature is constantly between -20 and -30°C, coldness will still be given off to the surroundings even though the floor is well insulated.

## Condensation protection of floors

In doorways between cold stores and heated rooms condensed water may form on the floor due to the constant shifts between cold and warm air caused by the opening and closing of doors. This can result in dangerous ice formations on the floor and therefore, the floor in these areas must be heated. As an extra comfort it will also limit the flow of cold air to the heated area.

## Floors

In cold stores where the temperature constantly lies between -20 and -30°C, cold will still be released to the surroundings even though the floor is well-insulated. This means that the materials which are in contact with the ground/soil, such as foundation and floor areas, will absorb the cold and leave the ground/soil to freeze. The water content in the ground/soil will expand and this can cause considerable damages due to frost erosion. The same problem also appears in ice stadiums, which are artificially frozen. This can be avoided with DEVI's frost protection system, though.

### Examples of cold stores heating by DEVI



#### Regional logistics center, Kiev, Ukraine

Cold stores: the DEVI system was installed under the floor 2 freezers, area 1720 sq. m. each, with an operating temperature of minus 22°C.

Project size: 2 x 1720 m<sup>2</sup>

#### Products

DEVIflex™ – 7560 m

DEVIREG™ 535 – 6 pcs

#### Divan Taşdelen Bakery Facilities, İstanbul, Turkey

Electrical Underfloor Heating, Frost Protection – Cold Room  
Project Size: 2000m<sup>2</sup>

#### Products

DEVIflex™ 10T – 5 660 m

DEVIREG™ 330 – 24 pcs.

DEVIfast™ – 314 pcs.

#### Panda, Jeddah, Saudi Arabia

DEVI electrical heating solutions will be used for the protection of thresholds and floor of the biggest Middle Eastern cold store. The total size of the project is 8,000 m<sup>2</sup> and total installed power is approximately 160 kW.

#### Products

DEVIflex™ 192m – 14 pcs

DEVIflex™ 229m – 73 pcs

DEVIsnow™ 63m – 13 pcs

DEVIsnow™ 140m – 18 pcs

DEVIfast™ – 982 pcs

DEVIREG™ 330 with sensor-10-+10°C,

## Heating of thermal bridges

DEVI's heating systems can be used to avoid temperature differences in floors caused by thermal bridges. DEVI's heating systems can also be used to avoid or limit draughts, e.g. at windows, doors, exterior walls, and central elements in concrete buildings.

## Cold stores and concrete hardening

In connection with casting processes during winter time, it can often be difficult to ensure the correct strength of the concrete as well as to achieve a uniform result of the surface, when temperatures fall below the freezing point.

To avoid unnecessary and expensive delays of the building activities it often can be necessary to add a little extra heat, to keep up the correct temperature to sustain the hardening process.

This problem may in many cases be solved, by embedding heating cables in the concrete construction attached directly to the reinforcement mesh and raising the temperature some degrees to maintain the natural process.

If the temperature is -10°C or above it is normally not necessary to protect the concrete construction further, but if the temperature falls below -10°C it is recommended to sheet the construction over. Depending on the outdoor temperature the system can be maintained at approx. +1 to +2°C for a week. Then, it is possible to reduce the effect gradually.

### Example of concrete hardening by DEVI



#### Bjørvika tunnel Oslo, Norway

Bjørvika tunnel links Festning tunnel in Oslo west with Ekeberg tunnel in Oslo east.

DEVI was chosen to harden the concrete in roof and walls in the immersed part of the tunnel

Project size: 1 100 meters of tunnels, 675 meters of which is immersed

#### Products

DEVIflex™  
DEVlreg™ 330

#### Cold stores and concrete hardening, preventing frost damage to foundations and floors

In cold stores (and ice stadiums) where the temperature constantly is between -20°C and -30°C cold will be emitted to the surroundings in spite of good insulation. This means that the floor will freeze as well as the soil below. The water in the soil expands which can lead to frost damage to the foundation / floor. This can be prevented by using DEVI heating cables.

	Standard	Mechanical class	Applications	
			Cold stores	Concrete hardening
Cables and Mats			Page no.	
DEVlbasic™ 10S	IEC60800:1992	M2	20	
DEVlbasic™ 20S - 230 V	IEC60800:1992	C	21	
DEVlbasic™ 20S - 400 V	IEC60800:1992	C	21	
DEVlbasic™ Drum Goods	IEC60800:1992	C	22	
DEVIflex™ 6T	IEC60800:2009	M2	16	
DEVIflex™ 10T	IEC60800:2009	M2	17	
DEVIflex™ 18T	IEC60800:2009	M2	18	
DEVIflex™ 30T	IEC60800:2009	M2		19
DEVIsafe™ 20T	IEC60800:2009	M2	50	
DEVIsnow™ 20T - 230 V	IEC60800:2009	M2	53	
DEVIsnow™ 20T - 400 V	IEC60800:2009	M2	53	
DEVIsnow™ Drum Goods	IEC60800:2009	M2	59	
Thermostats				
DEVlreg™ 316	EN 60730-1 + EN 60730-2-9		105	105
DEVlreg™ 330 (-10°C to 10°C)	EN 60730-1 + EN 60730-2-9		103	103
DEVlreg™ 610	EN 60730-1 + EN 60730-2-9		106	106
DEVlreg™ Multi	EN 60730-1 + EN 60730-2-9		107	107

## Other heating elements

		Applications
		Heating elements
Heating elements	Standard	Page no.
DEVItemp™ Fan heater	IEC60335-2-96	113
DEVItronic™	IEC 60335-1:2012 + IEC 60335-2-30:2009	114
DEVIlrail™	EN 60335-1:2002 + EN 60335-2-43:2003	115
DEVIfoil™ Mirror	EN 60335-1 + EN 60335-2-30	89
DEVIheat™ Mirror 150S	IEC60335-1 + IEC60335-2-96	36



# DEVI products

## Data sheets

Intelligent solutions  
with lasting effect

Visit [devi.com](http://devi.com)

## DEVIflex™ 6T



20  
YEAR  
WARRANTY

Product

Installation

Floor/Surface

DEVIflex™ is an extremely high-quality, 360° fully screened twin conductor cable with a tough outer sheath (non UV stable). Its round profile and robust construction ensures a fast, simple and safe installation in multiple indoor floor constructions and pipe tracing applications.

Due to the low specific output (W/m) this product can be successfully used for NZEB (Nearly Zero Energy Building) house applications.

The cold lead is an installation cable with solid conductors ensuring fast installation. A clearly visible connection avoids accidentally installing the heated cable in the wall.

To ensure a long life-time, all cables are minutely inspected including tests for Ohmic resistance, high voltage and material controls to ensure the quality. This means that we are proud to supply our full floor extended DEVIflex™ warranty.

### Benefits:

- Fast and easy to install
- Multiple application options
- Safe and robust
- Long life-time
- Maximum protection

### Standard compliance:

- IEC60800:2009

### Approvals:



Type	Value
Nominal voltage	230 V~
Construction	Round, twin conductor with 360° screen, one cold lead
Output	6 W/m @ 230 V~
Max. permissible use temperature, powered	80 °C
Max. permissible use temperature, unpowered	90 °C
Cable dimensions	Ø 6,9 mm
Deformation strength	>1500 N
Pulling strength	>500 N
Conductor insulation	XLPE
Outer sheath	PVC, red
Screen	100% coverage; alu-foil; 0,5 mm <sup>2</sup> tinned copper drain wire
Cold lead	2,3 m DTCL, 3G 1,5mm <sup>2</sup>
Min. installation temperature	-5 °C
Bending Ø, min.	6 x cable diameter
IP Class	IPX7

### Types

Item no.	Cable length, m	Output, W @ 230 V~	Resistance, Ohm	EAN no.
140F1200	30	180	293,4	5703466223369
140F1201	40	250	211,6	5703466223376
140F1202	50	310	170,0	5703466223383
140F1203	60	345	152,4	5703466223390
140F1204	70	415	128,1	5703466223406
140F1205	80	500	105,6	5703466223413
140F1206	90	540	98,1	5703466223420
140F1207	100	635	83,6	5703466223437
140F1208	115	720	74,0	5703466223444
140F1209	129	770	68,9	5703466223451
140F1210	140	870	60,8	5703466223468
140F1211	160	915	57,9	5703466223475
140F1212	180	1095	48,2	5703466223482
140F1213	190	1160	45,6	5703466223499
140F1214	200	1260	42,0	5703466223505



## DEVIflex™ 10T



DEVIflex™ is an extremely high-quality, 360° fully screened twin conductor cable with a tough outer sheath (non UV stable). Its round profile and robust construction ensures a fast, simple and safe installation in multiple indoor floor constructions and pipe tracing applications.

The cold lead is an installation cable with solid conductors ensuring fast installation. A clearly visible connection avoids accidentally installing the heated cable in the wall.

To ensure a long life-time, all cables are minutely inspected including tests for Ohmic resistance, high voltage and material controls to ensure the quality. This means that we are proud to supply our full floor extended DEVIfloor warranty™.

### Benefits:

- Fast and easy to install
- Multiple application options
- Safe and robust
- Long life-time
- Maximum protection

### Standard compliance:

- IEC60800:2009

### Approvals:



Type	Value
Nominal voltage	230 V~
Construction	Round, twin conductor with 360° screen, one cold lead
Output	10 W/m @ 230 V~
Max. permissible use temperature, powered	75 °C
Max. permissible use temperature, unpowered	90 °C
Cable dimensions	Ø 6,9 mm
Deformation strength	>1500 N
Pulling strength	>500 N
Conductor insulation	XLPE
Outer sheath	PVC, red
Screen	100% coverage; alu-foil; 0,5 mm <sup>2</sup> tinned copper drain wire
Cold lead	2,3 m DTCL, 3G (1,5 or 2,5)mm <sup>2</sup>
Min. installation temperature	-5 °C
Bending Ø, min.	6 x cable diameter
IP Class	IPX7

### Types

Item no.	Cable length, m	Output, W @ 230 V~	Resistance, Ohm	Cold lead, mm <sup>2</sup>	EAN no.
140F1215	2	20	2646,0	3 x 1,5	5703466223512
140F1216	4	40	1324,0	3 x 1,5	5703466223529
140F1217	6	60	882,0	3 x 1,5	5703466223536
140F1218	8	80	660,8	3 x 1,5	5703466223543
140F1219	10	100	529,0	3 x 1,5	5703466223550
140F1407	15	135	403,5	3 x 1,5	5703466227794
140F1220	20	205	260,0	3 x 1,5	5703466223567
140F1408	25	241	219,5	3 x 1,5	5703466227800
140F1221	30	290	183,0	3 x 1,5	5703466223574
140F1409	35	365	145,0	3 x 1,5	5703466227817
140F1222	40	390	136,0	3 x 1,5	5703466223581
140F1223	50	505	105,0	3 x 1,5	5703466223598
140F1224	60	600	88,2	3 x 1,5	5703466223604
140F1225	70	695	76,3	3 x 1,5	5703466223611
140F1226	80	790	66,9	3 x 1,5	5703466223628
140F1227	90	920	57,4	3 x 1,5	5703466223635
140F1228	100	990	53,4	3 x 1,5	5703466223642
140F1229	120	1220	43,4	3 x 1,5	5703466223659
140F1230	140	1410	37,5	3 x 1,5	5703466223666
140F1231	160	1575	33,6	3 x 1,5	5703466223673
140F1232	180	1760	30,1	3 x 2,5	5703466223680
140F1233	200	1990	26,6	3 x 2,5	5703466223697
140F1234	210	2050	25,8	3 x 2,5	5703466223703

## DEVIflex™ 18T



DEVIflex™ is an extremely high-quality, 360° fully screened twin conductor cable with a tough outer sheath (non UV stable). Its round profile and robust construction ensures a fast, simple and safe installation in multiple indoor floor constructions and pipe tracing applications.

The cold lead is an installation cable with solid conductors ensuring fast installation. A clearly visible connection avoids accidentally installing the heated cable in the wall.

To ensure a long life-time, all cables are minutely inspected including tests for Ohmic resistance, high voltage and material controls to ensure the quality. This means that we are proud to supply our full floor extended DEVIwarranty™.

20  
YEAR  
WARRANTY

  
Product

  
Installation

  
Floor/Surface

### Benefits:

- Fast and easy to install
- Multiple application options
- Safe and robust
- Long life-time
- Maximum protection

### Standard compliance:

- IEC60800:2009

### Approvals:



Type	Value
Nominal voltage	230 V~
Construction	Round, twin conductor with 360° screen, one cold lead
Output	18 W/m @ 230 V~
Max. permissible use temperature, powered	60 °C
Max. permissible use temperature, unpowered	90 °C
Cable dimensions	Ø 6,9 mm
Deformation strength	>1500 N
Pulling strength	>500 N
Conductor insulation	XLPE
Outer sheath	PVC, red
Screen	100% coverage; alu-foil; 0,5 mm <sup>2</sup> tinned copper drain wire
Cold lead	2,3 m, DTCL, 3G (1,5 or 2,5)mm <sup>2</sup>
Min. installation temperature	-5 °C
Bending Ø, min.	6 x cable diameter
IP Class	IPX7

### Types

Item no.	Cable length, m	Output, W @ 230 V~	Resistance, Ohm	Cold lead, mm <sup>2</sup>	EAN no.
140F1235	7,3	130	410,3	3 x 1,5	5703466223710
140F1236	10	180	294,0	3 x 1,5	5703466223727
140F1400	12,8	230	230,4	3 x 1,5	5703466226278
140F1237	15	270	195,0	3 x 1,5	5703466223734
140F1401	17,5	310	171,2	3 x 1,5	5703466226285
140F1238	22	395	134,2	3 x 1,5	5703466223741
140F1239	29	535	98,6	3 x 1,5	5703466223758
140F1240	34	615	86,4	3 x 1,5	5703466223765
140F1241	37	680	77,7	3 x 1,5	5703466223772
140F1242	44	820	64,7	3 x 1,5	5703466223789
140F1243	52	935	56,7	3 x 1,5	5703466223796
140F1410	54	1005	52,7	3 x 1,5	5703466227992
140F1244	59	1075	49,3	3 x 1,5	5703466223802
140F1245	68	1220	43,4	3 x 1,5	5703466223819
140F1246	74	1340	39,5	3 x 1,5	5703466223826
140F1247	82	1485	35,6	3 x 1,5	5703466223833
140F1248	90	1625	32,6	3 x 1,5	5703466223840
140F1249	105	1880	28,1	3 x 2,5	5703466223857
140F1250	118	2135	24,8	3 x 2,5	5703466223864
140F1251	131	2420	21,9	3 x 2,5	5703466223871
140F1252	155	2775	19,1	3 x 2,5	5703466223888
140F1402	170	3050	17,3	3 x 2,5	5703466226292

## DEVIflex™ 30T



DEVIflex™ 30T is an extremely high-quality, 360° fully screened twin conductor cable with a tough outer sheath (non UV stable). It is designed for short time use for concrete hardening only.

The cold lead is an installation cable with solid conductors ensuring fast installation. A clearly visible connection avoids accidentally installing the heated cable in the wall. It has a round profile and robust construction which ensures a fast, simple and safe installation.

To ensure a quality, all cables are minutely inspected including tests for Ohmic resistance, high voltage and material controls. This means that we are proud to supply our extended DEVIflex™ warranty.

### Benefits:

- Fast and easy to install
- Safe and robust
- Long life-time
- Maximum protection

### Standard compliance:

- IEC60800:2009

### Approvals:



Type	Value
Nominal voltage	230 V~
Construction	Round, twin conductor with 360° screen, one cold lead
Output	30 W/m @ 230 V~
Max. permissible use temperature, powered	45 °C
Max. permissible use temperature, unpowered	90 °C
Cable dimensions	Ø 6,9 mm
Deformation strength	1500 N
Pulling strength	500 N
Conductor insulation	XLPE
Outer sheath	PVC, red
Screen	100% coverage; alu-foil; 0,5 mm <sup>2</sup> tinned copper drain wire
Cold lead	2,3 m DTCL, 3G 1,5mm <sup>2</sup>
Min. installation temperature	-5 °C
Bending Ø, min.	6 x cable diameter
IP Class	IPX7

### Types

Item no.	Cable length, m	Output, W @ 230 V~	Resistance, Ohm	EAN no.
140F1271	45	1405	37,6	5703466224076
140F1272	90	2800	18,9	5703466224083

## DEVIbasic™ 10S



DEVIbasic™ is a high-quality, braided screen, single conductor cable with a non UV stable outer sheath. Its round profile and robust construction ensures a fast, simple and safe installation in multiple indoor, outdoor and pipe tracing applications.

The two cold leads have clearly visible connections to avoid accidentally installing the heated cable in the wall.

To ensure a long life-time, all cables are minutely inspected including tests for Ohmic resistance, high voltage and material controls to ensure the quality. This means that we are proud to supply our full floor extended DEVIwarranty™.



### Benefits:

- Easy to install
- Multiple application options
- Safe and robust
- Long life-time

### Standard compliance:

- IEC60800:1992

### Approvals:



Type	Value
Nominal voltage	230 V~
Construction	Round, single conductor with screen, 2 x cold lead
Output	10 W/m @ 230 V~
Max. permissible use temperature, powered	75 °C
Max. permissible use temperature, unpowered	90 °C
Cable dimensions	Ø 5,5 mm
Deformation strength	600 N
Pulling strength	120 N
Conductor insulation	XLPE
Outer sheath	PVC
Screen	16 x 0,3 mm Cu (1 mm <sup>2</sup> )
Cold lead	2 x 3 m DSWA, (4, 2,5 or 1,5 mm <sup>2</sup> ) with screen
Min. installation temperature	-5 °C
Bending Ø, min.	6 x cable diameter
IP Class	IPX7

### Types

Item no.	Cable length	Output @ 230V~	Resistance	Cold lead	EAN no.
84001500	21 m	202 W	261,9 Ω	2 x 1,5 mm <sup>2</sup>	5703466118931
84001505	26 m	268 W	197,4 Ω	2 x 1,5 mm <sup>2</sup>	5703466118948
84001510	30 m	299 W	176,9 Ω	2 x 1,5 mm <sup>2</sup>	5703466118955
84001515	37 m	376 W	140,7 Ω	2 x 1,5 mm <sup>2</sup>	5703466118962
84001520	46 m	446 W	118,6 Ω	2 x 1,5 mm <sup>2</sup>	5703466118979
84001525	50 m	501 W	105,6 Ω	2 x 1,5 mm <sup>2</sup>	5703466118986
84001530	58 m	570 W	92,8 Ω	2 x 1,5 mm <sup>2</sup>	5703466118993
84001535	66 m	668 W	79,2 Ω	2 x 1,5 mm <sup>2</sup>	5703466119006
84001540	77 m	763 W	69,3 Ω	2 x 1,5 mm <sup>2</sup>	5703466119013
84001545	90 m	904 W	58,5 Ω	2 x 1,5 mm <sup>2</sup>	5703466119020
84001550	103 m	1027 W	51,5 Ω	2 x 1,5 mm <sup>2</sup>	5703466119037
84001555	114 m	1133 W	46,7 Ω	2 x 1,5 mm <sup>2</sup>	5703466119044
84001560	125 m	1245 W	42,5 Ω	2 x 1,5 mm <sup>2</sup>	5703466119051
84001565	140 m	1400 W	37,8 Ω	2 x 1,5 mm <sup>2</sup>	5703466119068
84001570	159 m	1584 W	33,4 Ω	2 x 1,5 mm <sup>2</sup>	5703466119075
84001575	170 m	1707 W	31,0 Ω	2 x 1,5 mm <sup>2</sup>	5703466119082
84001580	188 m	1876 W	28,2 Ω	2 x 1,5 mm <sup>2</sup>	5703466119099
84001585	230 m	2300 W	23,0 Ω	2 x 2,5 mm <sup>2</sup>	5703466119105
84001590	275 m	2741 W	19,3 Ω	2 x 2,5 mm <sup>2</sup>	5703466119112
84001595	325 m	3245 W	16,3 Ω	2 x 4,0 mm <sup>2</sup>	5703466119129
84001600	407 m	4069 W	13,0 Ω	2 x 4,0 mm <sup>2</sup>	5703466119136



## DEVIbasic™ 20S - 230 V DEVIbasic™ 20S - 400 V

DEVIbasic™ is a high-quality, braided screen, single conductor cable with a non UV stable outer sheath. Its round profile and robust construction ensures a fast, simple and safe installation in multiple indoor, outdoor and pipe tracing applications.

The two cold leads have clearly visible connections to avoid accidentally installing the heated cable in the wall.

To ensure a long life-time, all cables are minutely inspected including tests for Ohmic resistance, high voltage and material controls to ensure the quality. This means that we are proud to supply our full floor extended DEVIwarranty™.

20  
YEAR  
WARRANTY

Product

Installation

Floor/Surface

### Benefits:

- Easy to install
- Multiple application options
- Safe and robust
- Long life-time

### Standard compliance:

- IEC60800:1992

### Approvals:



Type	Value
Nominal voltage	230 and 400 V~
Construction	Round, single conductor with screen, 2 x cold lead
Output	20 W/m
Max. permissible use temperature, powered	60 °C
Max. permissible use temperature, unpowered	90 °C
Cable dimensions	Ø 5,5 mm
Deformation strength	600 N
Pulling strength	120 N
Conductor insulation	XLPE
Outer sheath	PVC
Screen	16 x 0,3 mm Cu (1 mm <sup>2</sup> )
Cold lead	2 x 3 m DSWA, (4 , 2,5 or 1,5 mm <sup>2</sup> ) with screen
Min. installation temperature	-5 °C
Bending Ø, min.	6 x cable diameter
IP Class	IPX7

### Types: DEVIbasic™ 20S - 230 V

Item no.	Cable length	Output @ 230V~	Resistance	Cold lead	EAN no.
140F0260	9 m	155 W	347,3 Ω	2 x 1,5 mm <sup>2</sup>	5703466208939
140F0215	14 m	260 W	203,5 Ω	2 x 1,5 mm <sup>2</sup>	5703466202289
140F0216	18 m	375 W	141,1 Ω	2 x 1,5 mm <sup>2</sup>	5703466202296
140F0217	26 m	520 W	101,7 Ω	2 x 1,5 mm <sup>2</sup>	5703466202302
140F0218	32 m	640 W	82,7 Ω	2 x 1,5 mm <sup>2</sup>	5703466202319
140F0219	39 m	800 W	66,1 Ω	2 x 1,5 mm <sup>2</sup>	5703466202326
140F0220	53 m	1070 W	49,4 Ω	2 x 1,5 mm <sup>2</sup>	5703466202333
140F0221	63 m	1260 W	42,0 Ω	2 x 1,5 mm <sup>2</sup>	5703466202340
140F0222	74 m	1465 W	36,1 Ω	2 x 1,5 mm <sup>2</sup>	5703466202357
140F0223	91 m	1820 W	29,1 Ω	2 x 1,5 mm <sup>2</sup>	5703466202364
140F0224	110 m	2215 W	23,9 Ω	2 x 1,5 mm <sup>2</sup>	5703466202371
140F0225	131 m	2640 W	20,0 Ω	2 x 2,5 mm <sup>2</sup>	5703466202388
140F0226	159 m	3170 W	16,7 Ω	2 x 2,5 mm <sup>2</sup>	5703466202395
140F0227	192 m	3855 W	13,7 Ω	2 x 2,5 mm <sup>2</sup>	5703466202401
140F0228	228 m	4565 W	11,6 Ω	2 x 4,0 mm <sup>2</sup>	5703466202418

### Types: DEVIbasic™ 20S - 400 V

Item no.	Cable length	Output @ 400V~	Resistance	EAN no.
140F0229	56 m	1100 W	145,5 Ω	5703466202425
140F0230	69 m	1375 W	116,4 Ω	5703466202432
140F0231	93 m	1850 W	86,5 Ω	5703466202449
140F0232	126 m	2250 W	71,1 Ω	5703466202456
140F0233	158 m	3175 W	50,4 Ω	5703466202463
140F0234	192 m	3850 W	41,6 Ω	5703466202470
140F0235	229 m	4575 W	35,0 Ω	5703466202487



## DEVIbasic™ Drum Goods

DEVIbasic™ is an high-quality, braided screen, single conductor cable with a tough outer sheath (non UV stable). Its round profile and robust construction ensures a fast, simple and safe installation in multiple indoor, outdoor and pipe tracing applications.

To ensure a long life-time, all cables are minutely inspected including tests for Ohmic resistance, high voltage and material controls to ensure the quality.

DEVIbasic™ can be customized for the specific project, depending on voltage, required output, length of heating cable and length of cold leads.



**Note:** *It is the full responsibility of the installer/designer to use proper cold lead dimensioned for the purpose and assembly sets that establish sufficient mechanical strength, flammability resistance and water tightness - and to design the heating unit with correct output for the specific application to avoid overheating of the cable or building materials.*

### Benefits:

- Easy to install
- Multiple application options
- Safe and robust
- Long life-time

### Standard compliance:

- IEC60800:1992

### Approvals:



Type	Value
Nominal voltage, max	$U_o/U = 300/500 \text{ V} \sim$
Construction	Round, single conductor with screen
Output, max	20 W/m
Max. permissible use temperature, powered	60 °C @ 20 W/m
Max. permissible use temperature, unpowered	90 °C
Cable dimensions	Ø 5,5 mm
Deformation strength	600 N
Pulling strength	120 N
Conductor insulation	XLPE
Outer sheath	PVC
Screen	16 x 0.3 mm Cu (1 mm <sup>2</sup> )
Min. installation temperature	-5 °C
Bending Ø, min.	6 x cable diameter
IP Class	IPX7

### Types

Item no.	Resistance	EAN no.
140F0165	0,0134 Ω/m	5703466228593
140F0163	0,0320 Ω/m	5703466228579
140F0166	0,0322 Ω/m	5703466228609
140F0185	0,0500 Ω/m	5703466228791
140F0167	0,0508 Ω/m	5703466228616
140F0168	0,0715 Ω/m	5703466228623
140F0186	0,1000 Ω/m	5703466228807
140F0169	0,1050 Ω/m	5703466228630
140F0187	0,1500 Ω/m	5703466228814
140F0170	0,1530 Ω/m	5703466228647
140F0188	0,2100 Ω/m	5703466228821
140F0171	0,2170 Ω/m	5703466228654
140F0172	0,2670 Ω/m	5703466228661
140F0195	0,2700 Ω/m	5703466228890
140F0173	0,3190 Ω/m	5703466228678
140F0189	0,3400 Ω/m	5703466228838
140F0196	0,4100 Ω/m	5703466228906
140F0174	0,4880 Ω/m	5703466228685
140F0190	0,5000 Ω/m	5703466228845
140F0164	0,6500 Ω/m	5703466228586

Item no.	Resistance	EAN no.
140F0175	0,6660 Ω/m	5703466228692
140F0191	0,9000 Ω/m	5703466228852
140F0176	0,9340 Ω/m	5703466228708
140F0177	1,1500 Ω/m	5703466228715
140F0192	1,2000 Ω/m	5703466228869
140F0193	1,6000 Ω/m	5703466228876
140F0178	1,7000 Ω/m	5703466228722
140F0194	2,5000 Ω/m	5703466228883
140F0179	2,5800 Ω/m	5703466228739
140F0197	3,8000 Ω/m	5703466228913
140F0180	3,9000 Ω/m	5703466228746
140F0181	5,0100 Ω/m	5703466228753
140F0198	5,9000 Ω/m	5703466228920
140F0182	7,8200 Ω/m	5703466228760
140F0183	12,9000 Ω/m	5703466228777
140F0184	34,1000 Ω/m	5703466228784





## DEVIcomfort™ 10T

DEVIcomfort™ is an extremely high-quality, 360° fully screened twin conductor cable with a tough red PVC outer sheath (non UV stable). Its round profile, robust construction and low height ensures a fast, simple and safe installation which is perfect for renovating existing floors. The cold lead is an installation cable with solid conductors ensuring fast installation. A clearly visible connection avoids accidentally installing the heated cable in the wall.

To ensure a long life-time, all cables are minutely inspected including tests for Ohmic resistance, high voltage and material controls to ensure the quality. This means that we are proud to supply our full floor extended DEVIwarranty™.

### Benefits:

- Fast and easy to install
- Low height
- Safe and robust
- Long life-time
- Maximum protection

### Standard compliance:

- IEC 60335-1
- IEC 60335-2-96

### Approvals:



Type	Value
Nominal voltage	230 V~
Construction	Round, twin conductor with 100% screen, one cold lead
Output	10 W/m @ 230 V~
Max. permissible use temperature, On / Off	85 °C / 90 °C
Cable thickness	4 mm
Deformation strength	600N
Pulling strength	120N
Conductor insulation	FEP
Outer sheath	Lead free PVC
Screen	Alu-foil; 0,5 mm <sup>2</sup> tinned copper drain wire
Cold lead	4 m DTWB, 2 x 1,0 mm <sup>2</sup> , with screen
Min. installation temperature	-5 °C
Bending Ø, min.	6 x cable diameter
IP Class	IPX7
Set with double adhesive tape	Double adhesive tape 25 mm x 50 m
Set with Flexpipe	Flexpipe, inner ø6,7 mm, outer ø10 mm, 2,5 m, Black

### Types set: DEVIcomfort™ 10T + Double adhesive tape + Flexpipe

Item no.	Cable length	Output @ 230V~	Resistance	EAN no.
87101700	10 m	100 W	529,0 Ω	5703466162750
87101702	20 m	200 W	264,5 Ω	5703466162767
87101706	28 m	300 W	176,3 Ω	5703466162774
87101708	41 m	400 W	132,3 Ω	5703466162781
87101710	50 m	500 W	105,8 Ω	5703466162798
87101712	57 m	600 W	88,2 Ω	5703466162804
87101714	70 m	700 W	75,6 Ω	5703466162811
87101716	81 m	800 W	66,2 Ω	5703466162828
87101718	90 m	900 W	58,8 Ω	5703466162835
87101720	100 m	1000 W	52,9 Ω	5703466162842
87101722	129 m	1250 W	42,3 Ω	5703466162859
87101724	142 m	1400 W	37,8 Ω	5703466162866
87101728	170 m	1700 W	31,1 Ω	5703466162873



**Set: DEVIcomfort™ 10T + Flexpipe + Flexpipe transition KK1-E5 + Wire sensor 3 m + Hot glue sticks**

Item no.	Cable length	Output @ 230V~	Resistance	EAN no.
87101100	10 m	100 W	529,0 Ω	5703466179871
87101102	20 m	200 W	264,5 Ω	5703466179888
87101104	28 m	300 W	176,3 Ω	5703466179895
87101106	41 m	400 W	132,3 Ω	5703466179901
87101108	50 m	500 W	105,8 Ω	5703466179918
87101110	57 m	600 W	88,2 Ω	5703466179925
87101112	70 m	700 W	75,6 Ω	5703466179932
87101114	81 m	800 W	66,2 Ω	5703466179949
87101116	90 m	900 W	58,8 Ω	5703466179956
87101118	100 m	1000 W	52,9 Ω	5703466179963
87101120	129 m	1250 W	42,3 Ω	5703466179970
87101122	142 m	1400 W	37,8 Ω	5703466179987
87101124	170 m	1700 W	31,1 Ω	5703466179994

**Types: set DEVIcomfort™ 10T + Flexpipe + Flexpipe transition KK1-E5 + DEVIreg™ Touch (140F1071, Polar White, manual: SE)**

Item no.	Cable length	Output @ 230V~	Resistance	EAN no.
140F0800	10 m	100 W	529,0 Ω	5703466238806
140F0801	20 m	200 W	264,5 Ω	5703466238813
140F0802	28 m	300 W	176,3 Ω	5703466238820
140F0803	41 m	400 W	132,3 Ω	5703466238837
140F0804	50 m	500 W	105,8 Ω	5703466238844
140F0805	57 m	600 W	88,2 Ω	5703466238851
140F0806	70 m	700 W	75,6 Ω	5703466238868
140F0807	81 m	800 W	66,2 Ω	5703466238875
140F0808	90 m	900 W	58,8 Ω	5703466238882
140F0809	100 m	1000 W	52,9 Ω	5703466238899
140F0810	129 m	1250 W	42,3 Ω	5703466238905
140F0811	142 m	1400 W	37,8 Ω	5703466238912
140F0812	170 m	1700 W	31,1 Ω	5703466238929



## DEVI<sup>™</sup> 70T

DEVI<sup>™</sup> is an extremely high-quality, 360° fully screened self-adhesive all-in-one mat with FEP insulated conductors and a red PVDF outer sheath (non UV stable). The round profile, low height (only 3.5 mm) and robust construction ensures a fast, simple and safe installation perfect for renovating existing floors.

The cold lead is an installation cable with solid conductors ensuring fast installation. A clearly visible connection avoids accidentally installing the heated cable in the wall.

To ensure a long life-time, all cables are minutely inspected including tests for Ohmic resistance, high voltage and material controls to ensure the quality. This means that we are proud to supply our full floor extended DEVIwarranty<sup>™</sup>.

**20**  
YEAR  
WARRANTY

Product    Installation    Floor/Surface

### Benefits:

- Fast and easy to install
- Self-adhesive mesh
- Low height - only 3.5 mm
- Only one cold lead
- Long life-time
- Maximum protection

### Standard compliance:

- IEC60335-2-96

### Approvals:



Type	Value
Nominal voltage	230 V~
Construction	Twin conductor with 360° screening, one cold lead
Output	70 W/m <sup>2</sup> @ 230 V~
Max. permissible use temperature, powered	115 °C
Max. permissible use temperature, unpowered	120 °C
Cable dimensions	3,0 mm
Deformation strength	600 N
Pulling strength	120 N
Conductor insulation	FEP
Outer sheath	PVDF
Screen	100% coverage; alu-foil; 0,5 mm <sup>2</sup> tinned copper drain wire
Cold lead	4 m DTWB, 2 x 1 mm <sup>2</sup> with screen
Min. installation temperature	-5 °C
Bending Ø, min.	6 x cable diameter
IP Class	IPX7

### Types

Item no.	Output @ 230V~	Heated area	Resistance	Dimensions (W x L)	EAN no.
140F1730	210 W	3,0 m <sup>2</sup>	252 Ω	0,5 x 6,0 m	5703466247471
140F1731	350 W	5,0 m <sup>2</sup>	151 Ω	0,5 x 10,0 m	5703466247488
140F1732	490 W	7,0 m <sup>2</sup>	108 Ω	0,5 x 14,0 m	5703466247495
140F1733	615 W	8,7 m <sup>2</sup>	86 Ω	0,5 x 17,5 m	5703466247501
140F1734	825 W	11,7 m <sup>2</sup>	64 Ω	0,5 x 23,5 m	5703466247518





## DEVI<sup>™</sup> 100T

DEVI<sup>™</sup> is an extremely high-quality, 360° fully screened self-adhesive all-in-one mat with FEP insulated conductors and a red PVDF outer sheath (non UV stable). The round profile, low height (only 3.5 mm) and robust construction ensures a fast, simple and safe installation perfect for renovating existing floors.

The cold lead is an installation cable with solid conductors ensuring fast installation. A clearly visible connection avoids accidentally installing the heated cable in the wall.

To ensure a long life-time, all cables are minutely inspected including tests for Ohmic resistance, high voltage and material controls to ensure the quality. This means that we are proud to supply our full floor extended DEVIwarranty<sup>™</sup>.

20  
 YEAR  
 WARRANTY

Product

Installation

Floor/Surface

### Benefits:

- Fast and easy to install
- Self-adhesive mesh
- Low height - only 3.5 mm
- Only one cold lead
- Long life-time
- Maximum protection

### Standard compliance:

- IEC60335-2-96

### Approvals:



Type	Value
Nominal voltage	230 V~
Construction	Twin conductor with 360° screening, one cold lead
Output	100 W/m <sup>2</sup> @ 230 V~
Max. permissible use temperature, powered	115 °C
Max. permissible use temperature, unpowered	120 °C
Cable dimensions	3,0 mm
Deformation strength	600 N
Pulling strength	120 N
Conductor insulation	FEP
Outer sheath	PVDF
Screen	100% coverage; alu-foil; 0,5 mm <sup>2</sup> tinned copper drain wire
Cold lead	4 m DTWB, 2 x 1 mm <sup>2</sup> with screen
Min. installation temperature	-5 °C
Bending Ø, min.	6 x cable diameter
IP Class	IPX7
Set with Flexpipe	Flexpipe, inner ø6,7 mm, outer ø10 mm, 2,5 m, Black

### Types: set DEVI<sup>™</sup> 100T + Flexpipe

Item no.	Output @ 230V~	Heated area	Resistance	Dimensions (W x L)	EAN no.
140F0400*	50 W	0,5 m <sup>2</sup>	1028 Ω	0,5 x 1 m	5703466202913
140F0415	100 W	1,0 m <sup>2</sup>	529 Ω	0,5 x 2 m	5703466203064
140F0416	150 W	1,5 m <sup>2</sup>	353 Ω	0,5 x 3 m	5703466203071
140F0417	200 W	2,0 m <sup>2</sup>	265 Ω	0,5 x 4 m	5703466203088
140F0418	250 W	2,5 m <sup>2</sup>	212 Ω	0,5 x 5 m	5703466203095
140F0419	300 W	3,0 m <sup>2</sup>	176 Ω	0,5 x 6 m	5703466203101
140F0420	350 W	3,5 m <sup>2</sup>	151 Ω	0,5 x 7 m	5703466203118
140F0421	400 W	4,0 m <sup>2</sup>	132 Ω	0,5 x 8 m	5703466203125
140F0422	500 W	5,0 m <sup>2</sup>	106 Ω	0,5 x 10 m	5703466203132
140F0423	600 W	6,0 m <sup>2</sup>	88 Ω	0,5 x 12 m	5703466203149
140F0424	700 W	7,0 m <sup>2</sup>	76 Ω	0,5 x 14 m	5703466203156
140F0425	800 W	8,0 m <sup>2</sup>	66 Ω	0,5 x 16 m	5703466203163
140F0426	900 W	9,0 m <sup>2</sup>	59 Ω	0,5 x 18 m	5703466203170
140F0427	1000 W	10,0 m <sup>2</sup>	53 Ω	0,5 x 20 m	5703466203187
140F0428	1200 W	12,0 m <sup>2</sup>	44 Ω	0,5 x 24 m	5703466203194

\*Set without flexpipe

**Types: set DEVI<sup>™</sup>mat 100T + Flexpipe +  
DEVIreg<sup>™</sup> Smart (140F1140, Polar White, manual: DE, FI, NO, SE)**

Item no.	Output @ 230V~	Heated area	Resistance	Dimensions (W x L)	EAN no.
140F1665	100 W	1,0 m <sup>2</sup>	529 Ω	0,5 x 2 m	5703466240144
140F1666	150 W	1,5 m <sup>2</sup>	353 Ω	0,5 x 3 m	5703466240151
140F1667	200 W	2,0 m <sup>2</sup>	265 Ω	0,5 x 4 m	5703466240168
140F1668	250 W	2,5 m <sup>2</sup>	212 Ω	0,5 x 5 m	5703466240175
140F1669	300 W	3,0 m <sup>2</sup>	176 Ω	0,5 x 6 m	5703466240182
140F1670	350 W	3,5 m <sup>2</sup>	151 Ω	0,5 x 7 m	5703466240199
140F1671	400 W	4,0 m <sup>2</sup>	132 Ω	0,5 x 8 m	5703466240205
140F1672	500 W	5,0 m <sup>2</sup>	106 Ω	0,5 x 10 m	5703466240212
140F1673	600 W	6,0 m <sup>2</sup>	88 Ω	0,5 x 12 m	5703466240229
140F1674	700 W	7,0 m <sup>2</sup>	76 Ω	0,5 x 14 m	5703466240236
140F1675	800 W	8,0 m <sup>2</sup>	66 Ω	0,5 x 16 m	5703466240243
140F1676	900 W	9,0 m <sup>2</sup>	59 Ω	0,5 x 18 m	5703466240250
140F1677	1000 W	10,0 m <sup>2</sup>	53 Ω	0,5 x 20 m	5703466240267
140F1678	1200 W	12,0 m <sup>2</sup>	44 Ω	0,5 x 24 m	5703466240274



## DEVI<sup>™</sup> 150T

DEVI<sup>™</sup> is an extremely high-quality, 360° fully screened self-adhesive all-in-one mat with FEP insulated conductors and a red PVDF outer sheath (non UV stable). The round profile, low height (only 3.5 mm) and robust construction ensures a fast, simple and safe installation perfect for renovating existing floors.

The cold lead is an installation cable with solid conductors ensuring fast installation. A clearly visible connection avoids accidentally installing the heated cable in the wall.

To ensure a long life-time, all cables are minutely inspected including tests for Ohmic resistance, high voltage and material controls to ensure the quality. This means that we are proud to supply our full floor extended DEVIwarranty<sup>™</sup>.

20  
YEAR  
WARRANTY

  
Product

  
Installation

  
Floor/Surface

### Benefits:

- Fast and easy to install
- Self-adhesive mesh
- Low height - only 3.5 mm
- Only one cold lead
- Long life-time
- Maximum protection

### Standard compliance:

- IEC60335-2-96

### Approvals:



Type	Value
Nominal voltage	230 V~
Construction	Twin conductor with 360° screening, one cold lead
Output	150 W/m <sup>2</sup> @ 230 V~
Max. permissible use temperature, powered	115 °C
Max. permissible use temperature, unpowered	120 °C
Cable dimensions	3,0 mm
Deformation strength	600 N
Pulling strength	120 N
Conductor insulation	FEP
Outer sheath	PVDF
Screen	100% coverage; alu-foil; 0,5 mm <sup>2</sup> tinned copper drain wire
Cold lead	4 m DTWB 2 x 1 mm <sup>2</sup> with screen
Min. installation temperature	-5 °C
Bending Ø, min.	6 x cable diameter
IP Class	IPX7
Set with flexpipe	Flexpipe, inner ø6,7 mm, outer ø10 mm, 2,5 m, Black

### Types: set DEVI<sup>™</sup> 150T with Flexpipe

Item no.	Output @ 230V~	Heated area	Resistance	Dimensions (W x L)	EAN no.
140F0444	75 W	0,5 m <sup>2</sup>	705 Ω	0,5 x 1 m	5703466203354
140F0445	150 W	1,0 m <sup>2</sup>	353 Ω	0,5 x 2 m	5703466203361
140F0446	225 W	1,5 m <sup>2</sup>	235 Ω	0,5 x 3 m	5703466203378
140F0447	300 W	2,0 m <sup>2</sup>	176 Ω	0,5 x 4 m	5703466203385
140F0448	375 W	2,5 m <sup>2</sup>	141 Ω	0,5 x 5 m	5703466203392
140F0449	450 W	3,0 m <sup>2</sup>	118 Ω	0,5 x 6 m	5703466203408
140F0450	525 W	3,5 m <sup>2</sup>	100 Ω	0,5 x 7 m	5703466203415
140F0451	600 W	4,0 m <sup>2</sup>	88 Ω	0,5 x 8 m	5703466203422
140F0452	750 W	5,0 m <sup>2</sup>	70 Ω	0,5 x 10 m	5703466203439
140F0453	900 W	6,0 m <sup>2</sup>	59 Ω	0,5 x 12 m	5703466203446
140F0454	1050 W	7,0 m <sup>2</sup>	50 Ω	0,5 x 14 m	5703466203453
140F0455	1200 W	8,0 m <sup>2</sup>	44 Ω	0,5 x 16 m	5703466203460
140F0456	1350 W	9,0 m <sup>2</sup>	40 Ω	0,5 x 18 m	5703466203477
140F0457	1500 W	10,0 m <sup>2</sup>	35 Ω	0,5 x 20 m	5703466203484
140F0458	1800 W	12,0 m <sup>2</sup>	30 Ω	0,5 x 24 m	5703466203491

**Types: set DEVI<sup>™</sup>mat 150T + Flexpipe + Flexpipe transition KK1-E5 + Syntetic nails + DEVIreg<sup>™</sup> Smart (140F1140, Polar White, manual: DE, FI, NO, SE)**

Item no.	Output @ 230V~	Heated area	Resistance	Dimensions (W x L)	EAN no.
140F1650	150 W	1,0 m <sup>2</sup>	353 Ω	0,5 x 2 m	5703466240014
140F1651	225 W	1,5 m <sup>2</sup>	235 Ω	0,5 x 3 m	5703466240021
140F1652	300 W	2,0 m <sup>2</sup>	176 Ω	0,5 x 4 m	5703466240038
140F1653	375 W	2,5 m <sup>2</sup>	141 Ω	0,5 x 5 m	5703466240045
140F1654	450 W	3,0 m <sup>2</sup>	118 Ω	0,5 x 6 m	5703466240052
140F1655	525 W	3,5 m <sup>2</sup>	100 Ω	0,5 x 7 m	5703466240069
140F1656	600 W	4,0 m <sup>2</sup>	88 Ω	0,5 x 8 m	5703466240076
140F1657	750 W	5,0 m <sup>2</sup>	70 Ω	0,5 x 10 m	5703466240083
140F1658	900 W	6,0 m <sup>2</sup>	59 Ω	0,5 x 12 m	5703466240090
140F1659	1050 W	7,0 m <sup>2</sup>	50 Ω	0,5 x 14 m	5703466240106
140F1660	1200 W	8,0 m <sup>2</sup>	44 Ω	0,5 x 16 m	5703466240113
140F1661	1350 W	9,0 m <sup>2</sup>	40 Ω	0,5 x 18 m	5703466240120
140F1662	1500 W	10,0 m <sup>2</sup>	35 Ω	0,5 x 20 m	5703466240137

**Types: set DEVI<sup>™</sup>mat 150T + Flexpipe + Flexpipe transition KK1-E5 + Syntetic nails + DEVIreg<sup>™</sup> Touch (140F1071, Polar White, manual: DE, DK, LT)**

Item no.	Output @ 230V~	Heated area	Resistance	Dimensions (W x L)	EAN no.
140F0816	150 W	1,0 m <sup>2</sup>	353 Ω	0,5 x 2 m	5703466216507
140F0817	225 W	1,5 m <sup>2</sup>	235 Ω	0,5 x 3 m	5703466216514
140F0818	300 W	2,0 m <sup>2</sup>	176 Ω	0,5 x 4 m	5703466216521
140F0819	375 W	2,5 m <sup>2</sup>	141 Ω	0,5 x 5 m	5703466216538
140F0820	450 W	3,0 m <sup>2</sup>	118 Ω	0,5 x 6 m	5703466216545
140F0821	525 W	3,5 m <sup>2</sup>	100 Ω	0,5 x 7 m	5703466216552
140F0822	600 W	4,0 m <sup>2</sup>	88 Ω	0,5 x 8 m	5703466216569
140F0823	750 W	5,0 m <sup>2</sup>	70 Ω	0,5 x 10 m	5703466216576
140F0824	900 W	6,0 m <sup>2</sup>	59 Ω	0,5 x 12 m	5703466216583
140F0825	1050 W	7,0 m <sup>2</sup>	50 Ω	0,5 x 14 m	5703466216590
140F0826	1200 W	8,0 m <sup>2</sup>	44 Ω	0,5 x 16 m	5703466216606
140F0827	1350 W	9,0 m <sup>2</sup>	40 Ω	0,5 x 18 m	5703466216613
140F0828	1500 W	10,0 m <sup>2</sup>	35 Ω	0,5 x 20 m	5703466240137



## DEVI<sup>™</sup>mat 200T

DEVI<sup>™</sup>mat is an extremely high-quality, 360° fully screened self-adhesive all-in-one mat with FEP insulated conductors and a red PVDF outer sheath (non UV stable). The round profile, low height (only 3.5 mm) and robust construction ensures a fast, simple and safe installation perfect for renovating existing floors.

The cold lead is an installation cable with solid conductors ensuring fast installation. A clearly visible connection avoids accidentally installing the heated cable in the wall.

To ensure a long life-time, all cables are minutely inspected including tests for Ohmic resistance, high voltage and material controls to ensure the quality. This means that we are proud to supply our full floor extended DEVI<sup>™</sup>warranty<sup>™</sup>.

**20**  
YEAR  
WARRANTY

Product    Installation    Floor/Surface

### Benefits:

- Fast and easy to install
- Self-adhesive mesh
- Low height - only 3.5 mm
- Only one cold lead
- Long life-time
- Maximum protection

### Standard compliance:

- IEC60335-2-96

### Approvals:



Type	Value
Nominal voltage	230 V~
Construction	Twin conductor with 360° screening, one cold lead
Output	200 W/m <sup>2</sup> @ 230 V~
Max. permissible use temperature, powered	115 °C
Max. permissible use temperature, unpowered	120 °C
Cable dimensions	3,0 mm
Deformation strength	600 N
Pulling strength	120 N
Conductor insulation	FEP
Outer sheath	PVDF
Screen	100% coverage; alu-foil; 0,5 mm <sup>2</sup> tinned copper drain wire
Cold lead	4 m DTWB 2 x 1 mm <sup>2</sup> with screen
Min. installation temperature	-5 °C
Bending Ø, min.	6 x cable diameter
IP Class	IPX7
Set with flexpipe	Flexpipe, inner ø6,7 mm, outer ø10 mm, 2,5 m, Black

### Types: set DEVI<sup>™</sup>mat 200T with Flexpipe

Item no.	Output @ 230V~	Heated area	Resistance	Dimensions (W x L)	EAN no.
140F1735	87 W	0,45 m <sup>2</sup>	608 Ω	0,5 x 0,9 m	5703466247525
83020736	215 W	1,05 m <sup>2</sup>	246 Ω	0,5 x 2,1 m	5703466195994
83020737	285 W	1,45 m <sup>2</sup>	186 Ω	0,5 x 2,9 m	5703466196007
83020738	430 W	2,1 m <sup>2</sup>	123 Ω	0,5 x 4,2 m	5703466196014
83020739	500 W	2,5 m <sup>2</sup>	106 Ω	0,5 x 5,0 m	5703466196021
83020740	605 W	3,1 m <sup>2</sup>	87 Ω	0,5 x 6,2 m	5703466196038
140F1736	695 W	3,45 m <sup>2</sup>	76 Ω	0,5 x 6,9 m	5703466196045
83020742	845 W	4,3 m <sup>2</sup>	63 Ω	0,5 x 8,6 m	5703466196052
83020743	990 W	4,95 m <sup>2</sup>	53 Ω	0,5 x 9,9 m	5703466196069
83020744	1210 W	6,1 m <sup>2</sup>	44 Ω	0,5 x 12,2 m	5703466196076
140F1737	1385 W	7,0 m <sup>2</sup>	38 Ω	0,5 x 14,0 m	5703466196083
140F1738	1565 W	7,8 m <sup>2</sup>	34 Ω	0,5 x 15,6 m	5703466196090
140F1739	1715 W	8,8 m <sup>2</sup>	31 Ω	0,5 x 17,6 m	5703466196106
83020748	2070 W	10,5 m <sup>2</sup>	26 Ω	0,5 x 21,0 m	5703466196113





## DEVIcomfort™ 100T

DEVIcomfort™ is an extremely high-quality, 360° fully screened twin conductor self-adhesive all-in-one mat with a tough red PVC outer sheath (non UV stable). Its round profile, robust construction and low height ensures a fast, simple and safe installation which is perfect for renovating existing floors.

The cold lead is an installation cable with solid conductors ensuring fast installation. A clearly visible connection avoids accidentally installing the heated cable in the wall.

To ensure a long life-time, all cables are minutely inspected including tests for Ohmic resistance, high voltage and material controls to ensure the quality. This means that we are proud to supply our full floor extended DEVIwarranty™.

20  
YEAR  
WARRANTY

Product

Installation

Floor/Surface

### Benefits:

- Fast and easy to install
- Self-adhesive mesh
- Low height
- Only one cold lead
- Long life-time
- Maximum protection

### Standard compliance:

- IEC60335-2-96

### Approvals:



Type	Value
Nominal voltage	230 V~
Construction	Round, twin conductor with 360° screen, one cold lead
Output	100 W/m <sup>2</sup> @ 230 V~
Max. permissible use temperature, powered	85 °C
Max. permissible use temperature, unpowered	90 °C
Cable thickness	4 mm
Deformation strength	600 N
Pulling strength	120 N
Conductor insulation	FEP
Outer sheath	PVC
Screen	100% coverage; alu-foil; 0,5 mm <sup>2</sup> tinned copper drain wire
Cold lead	2,3 m DTWB, 2 x 1,0 mm <sup>2</sup> , with screen
Min. installation temperature	-5 °C
Bending Ø, min.	6 x cable diameter
IP Class	IPX7
Set with flexpipe	Flexpipe, inner ø6,7 mm, outer ø10 mm, 2,5 m, Black

### Types: set DEVIcomfort™ 100T with Flexpipe

Item no.	Output @ 230V~	Heated area	Resistance	Dimensions (W x L)	EAN no.
140F1740	50 W	0,5 m <sup>2</sup>	1058,0 Ω	0,5 x 1 m	5703466247570
83030502	100 W	1,0 m <sup>2</sup>	529,0 Ω	0,5 x 2 m	5703466162460
83030504	150 W	1,5 m <sup>2</sup>	352,0 Ω	0,5 x 3 m	5703466162477
83030506	200 W	2,0 m <sup>2</sup>	264,0 Ω	0,5 x 4 m	5703466162484
140F1741	250 W	2,5 m <sup>2</sup>	211,0 Ω	0,5 x 5 m	5703466247587
83030510	300 W	3,0 m <sup>2</sup>	176,0 Ω	0,5 x 6 m	5703466162507
83030512	350 W	3,5 m <sup>2</sup>	151,0 Ω	0,5 x 7 m	5703466162514
83030514	400 W	4,0 m <sup>2</sup>	132,0 Ω	0,5 x 8 m	5703466162521
83030516	500 W	5,0 m <sup>2</sup>	105,0 Ω	0,5 x 10 m	5703466162538
83030518	600 W	6,0 m <sup>2</sup>	88,1 Ω	0,5 x 12 m	5703466162545
140F1742	700 W	7,0 m <sup>2</sup>	75,5 Ω	0,5 x 14 m	5703466247594
140F1743	800 W	8,0 m <sup>2</sup>	66,1 Ω	0,5 x 16 m	5703466247600
83030524	900 W	9,0 m <sup>2</sup>	58,7 Ω	0,5 x 18 m	5703466162576
83030526	1000 W	10,0 m <sup>2</sup>	52,9 Ω	0,5 x 20 m	5703466162583
83030528	1200 W	12,0 m <sup>2</sup>	44,1 Ω	0,5 x 24 m	5703466162590



## DEVIcomfort™ 150T

DEVIcomfort™ is an extremely high-quality, 360° fully screened twin conductor self-adhesive all-in-one mat with a tough red PVC outer sheath (non UV stable). Its round profile, robust construction and low height ensures a fast, simple and safe installation which is perfect for renovating existing floors.

The cold lead is an installation cable with solid conductors ensuring fast installation. A clearly visible connection avoids accidentally installing the heated cable in the wall.

To ensure a long life-time, all cables are minutely inspected including tests for Ohmic resistance, high voltage and material controls to ensure the quality. This means that we are proud to supply our full floor extended DEVIwarranty™.

**20 YEAR WARRANTY**

Product Installation Floor/Surface

### Benefits:

- Fast and easy to install
- Self-adhesive mesh
- Low height
- Only one cold lead
- Long life-time
- Maximum protection

### Standard compliance:

- IEC60335-2-96

### Approvals:



Type	Value
Nominal voltage	230 V~
Construction	Round, twin conductor with 360° screen, one cold lead
Output	150 W/m <sup>2</sup> @ 230 V~
Max. permissible use temperature, powered	85 °C
Max. permissible use temperature, unpowered	90 °C
Cable thickness	4 mm
Deformation strength	600 N
Pulling strength	120 N
Conductor insulation	FEP
Outer sheath	PVC
Screen	100% coverage; alu-foil; 0,5 mm <sup>2</sup> tinned copper drain wire
Cold lead	2,3 m DTWB, 2 x 1,0 mm <sup>2</sup> , with screen
Min. installation temperature	-5 °C
Bending Ø, min.	6 x cable diameter
IP Class	IPX7
Set with flexpipe	Flexpipe, inner ø6,7 mm, outer ø10 mm, 2,5 m, Black

### Types: set DEVIcomfort™ 150T with Flexpipe

Item no.	Output @ 230V~	Heated area	Resistance	Dimensions (W x L)	EAN no.
83030560	75 W	0,5 m <sup>2</sup>	705,3 Ω	0,5 x 1 m	5703466169322
83030562	150 W	1,0 m <sup>2</sup>	352,7 Ω	0,5 x 2 m	5703466169339
140F1744	225 W	1,5 m <sup>2</sup>	235,1 Ω	0,5 x 3 m	5703466247617
83030566	300 W	2,0 m <sup>2</sup>	176,3 Ω	0,5 x 4 m	5703466169353
140F1745	375 W	2,5 m <sup>2</sup>	141,1 Ω	0,5 x 5 m	5703466247624
83030570	450 W	3,0 m <sup>2</sup>	117,6 Ω	0,5 x 6 m	5703466169377
83030572	525 W	3,5 m <sup>2</sup>	100,8 Ω	0,5 x 7 m	5703466169384
83030574	600 W	4,0 m <sup>2</sup>	88,2 Ω	0,5 x 8 m	5703466169391
83030576	750 W	5,0 m <sup>2</sup>	70,5 Ω	0,5 x 10 m	5703466169407
83030578	900 W	6,0 m <sup>2</sup>	58,8 Ω	0,5 x 12 m	5703466169414
83030580	1050 W	7,0 m <sup>2</sup>	50,4 Ω	0,5 x 14 m	5703466169421
83030582	1200 W	8,0 m <sup>2</sup>	44,1 Ω	0,5 x 16 m	5703466169438
83030584	1350 W	9,0 m <sup>2</sup>	39,2 Ω	0,5 x 18 m	5703466169445
83030586	1500 W	10,0 m <sup>2</sup>	35,3 Ω	0,5 x 20 m	5703466169452
83030588	1800 W	12,0 m <sup>2</sup>	29,4 Ω	0,5 x 24 m	5703466169469

**Types: set DEVIcomfort™ 150T + Flexpipe + Syntetic nails +  
DEVIreg™ Opti (140F1055, Pure White, manual: DE, BG, SK, EE)**

Item no.	Output @ 230V~	Heated area	Resistance	Dimensions (W x L)	EAN no.
140F1700	150 W	1,0 m <sup>2</sup>	352,7 Ω	0,5 x 2 m	5703466243183
140F1701	225 W	1,5 m <sup>2</sup>	235,1 Ω	0,5 x 3 m	5703466243190
140F1702	300 W	2,0 m <sup>2</sup>	176,3 Ω	0,5 x 4 m	5703466243206
140F1703	375 W	2,5 m <sup>2</sup>	141,1 Ω	0,5 x 5 m	5703466243213
140F1704	450 W	3,0 m <sup>2</sup>	117,6 Ω	0,5 x 6 m	5703466243220
140F1705	525 W	3,5 m <sup>2</sup>	100,8 Ω	0,5 x 7 m	5703466243237
140F1706	600 W	4,0 m <sup>2</sup>	88,2 Ω	0,5 x 8 m	5703466243244
140F1707	750 W	5,0 m <sup>2</sup>	70,5 Ω	0,5 x 10 m	5703466243251
140F1708	900 W	6,0 m <sup>2</sup>	58,8 Ω	0,5 x 12 m	5703466243268
140F1709	1050 W	7,0 m <sup>2</sup>	50,4 Ω	0,5 x 14 m	5703466243275
140F1710	1200 W	8,0 m <sup>2</sup>	44,1 Ω	0,5 x 16 m	5703466243282
140F1711	1350 W	9,0 m <sup>2</sup>	39,2 Ω	0,5 x 18 m	5703466243299
140F1712	1500 W	10,0 m <sup>2</sup>	35,3 Ω	0,5 x 20 m	5703466243305
140F1713	1800 W	12,0 m <sup>2</sup>	29,4 Ω	0,5 x 24 m	5703466243312



**20**  
YEAR  
WARRANTY

Product Installation Floor/Surface

## DEVIheat™ 150S DEVIheat™ Mirror 150S

DEVIheat™ is a high-quality, braided screen, self-adhesive all-in-one mat with FEP insulated conductors and a red PVDF outer sheath (non UV stable). The round profile, very low height (only 2.5 mm) and robust construction ensures a fast, simple and safe installation perfect for renovating existing floors.

DEVIheat™ Mirror 150S heating mat is used for keeping the bathroom mirror mist free by mounting the heating mat in the adhesive behind the mirror.

The two cold leads have clearly visible connections to avoid accidentally installing the heated cable in the wall.

To ensure a long life-time, all cables are minutely inspected including tests for Ohmic resistance, high voltage and material controls to ensure the quality. This means that we are proud to supply our full floor extended DEVIwarranty™.

### Benefits:

- Fast and easy to install
- Self-adhesive mesh
- Very low height - only 2.5 mm
- Long life-time

### Standard compliance:

- IEC60335-2-96

### Approvals:



Type	Value
Nominal voltage	230 V~
Construction	Round, single conductor with screen, two cold leads
Output	150 W/m <sup>2</sup> @ 230 V~
Max. permissible use temperature, powered	110 °C
Max. permissible use temperature, unpowered	120 °C
Cable thickness	2.5 mm
Deformation strength	600 N
Pulling strength	120 N
Conductor insulation	FEP
Outer sheath	PVDF
Screen	10 x CU threads
Cold lead	2 x 3 m DSWB, 1 x 1,0 mm <sup>2</sup> , with screen
Min. installation temperature	-5 °C
Bending Ø, min.	6 x cable diameter
IP Class	IPX7
Set with flexpipe	Flexpipe, inner ø6,7 mm, outer ø10 mm, 2,5 m, Black

### Types: set DEVIheat™ 150S + Flexpipe

Item no.	Output @ 230V~	Dimensions (W x L)	Heated area	Resistance	EAN no.
140F0328	75 W	0,5 x 1 m	0,5 m <sup>2</sup>	705 Ω	5703466202777
140F0329	150 W	0,5 x 2 m	1,0 m <sup>2</sup>	353 Ω	5703466202784
140F0330	225 W	0,5 x 3 m	1,5 m <sup>2</sup>	235 Ω	5703466202791
140F0331	300 W	0,5 x 4 m	2,0 m <sup>2</sup>	176 Ω	5703466202807
140F0332	375 W	0,5 x 5 m	2,5 m <sup>2</sup>	141 Ω	5703466202814
140F0333	450 W	0,5 x 6 m	3,0 m <sup>2</sup>	118 Ω	5703466202821
140F0334	525 W	0,5 x 7 m	3,5 m <sup>2</sup>	101 Ω	5703466202838
140F0335	600 W	0,5 x 8 m	4,0 m <sup>2</sup>	88 Ω	5703466202845
140F0336	750 W	0,5 x 10 m	5,0 m <sup>2</sup>	74 Ω	5703466202852
140F0338	900 W	0,5 x 12 m	6,0 m <sup>2</sup>	59 Ω	5703466202876
140F0339	1050 W	0,5 x 14 m	7,0 m <sup>2</sup>	50 Ω	5703466202883
140F0340	1200 W	0,5 x 16 m	8,0 m <sup>2</sup>	44 Ω	5703466202890
140F0337	1350 W	0,5 x 18 m	9,0 m <sup>2</sup>	39 Ω	5703466202869
140F0341	1500 W	0,5 x 20 m	10,0 m <sup>2</sup>	35 Ω	5703466202906

### Types DEVIheat™ Mirror 150S

Item no.	Output @ 230V~	Dimensions (W x L)	Heated area	Resistance	EAN no.
83000301	50 W	0,5 x 0,7 m	0,35 m <sup>2</sup>	1010 Ω	5703466083697
83000300	75 W	0,6 x 0,8 m	0,48 m <sup>2</sup>	686 Ω	5703466056660

**Types: set DEVIheat™ 150T + Flexpipe + Syntetic nails + DEVIreg™ Opti (140F1055, Pure White, manual: PL)**

Item no.	Output @ 230V~	Dimensions (W x L)	Heated area	Resistance	EAN no.
140F1720	150 W	0,5 x 2 m	1,0 m <sup>2</sup>	353 Ω	5703466243671
140F1721	225 W	0,5 x 3 m	1,5 m <sup>2</sup>	235 Ω	5703466243688
140F1722	300 W	0,5 x 4 m	2,0 m <sup>2</sup>	176 Ω	5703466243695
140F1723	375 W	0,5 x 5 m	2,5 m <sup>2</sup>	141 Ω	5703466243701
140F1724	450 W	0,5 x 6 m	3,0 m <sup>2</sup>	118 Ω	5703466243718
140F1725	600 W	0,5 x 8 m	4,0 m <sup>2</sup>	88 Ω	5703466243725
140F1726	750 W	0,5 x 10 m	5,0 m <sup>2</sup>	74 Ω	5703466243732
140F1727	900 W	0,5 x 12 m	6,0 m <sup>2</sup>	59 Ω	5703466243749
140F1728	1200 W	0,5 x 16 m	8,0 m <sup>2</sup>	44 Ω	5703466243756
140F1729	1500 W	0,5 x 20 m	10,0 m <sup>2</sup>	35 Ω	5703466243763



## DTCE 100T

DTCE is an extremely high-quality, 360° fully screened twin conductor heating mat with a tough outer sheath (UV stable). Its round profile and robust construction ensures a fast, simple and safe installation in floors where the heating cable is embedded in concrete. Designed for indoor heating applications, placed and fixed on insulation and covered by minimum 50 mm concrete.

The cold lead has solid conductors ensuring fast installation with a clearly visible connection.

To ensure a long life-time, all cables are minutely inspected including tests for Ohmic resistance, high voltage and material controls to ensure the quality. This means that we are proud to supply our extended DEVIwarranty™.

**Note.** DTCE heating mat is not approved for installation on roof because the fixing tape is not UV-stable.

**20 YEAR WARRANTY**

Product Installation Floor/Surface

### Benefits:

- Fast and easy to install
- Safe and robust
- Long life-time
- Maximum protection
- UV stable

### Standard compliance:

- IEC60800:2009

### Approvals:



Type	Value
Nominal voltage	230 V~
Construction	Round, twin conductor with 360° screening, one cold lead
Output	100 W/m <sup>2</sup> @ 230 V~
Max. permissible use temperature, powered	75 °C
Max. permissible use temperature, unpowered	90 °C
Cable thickness	7 mm
Deformation strength	>1500 N
Pulling strength	>300 N
Conductor insulation	FEP
Outer sheath	UV protected PVC
Screen	0.5 mm <sup>2</sup> Cu, 100% Alu-foil
Cold lead	6 m DTCL, 3G 1,5mm <sup>2</sup>
Min. installation temperature	-5 °C
Bending Ø, min.	6 x cable diameter
IP Class	IPX7

### Types: set DTCE 100T

Item no.	Output @ 230V~	Dimensions (W x L)	Area	Resistance	EAN no.
83901900	235 W	0,75 m x 3,0 m	2,25 m <sup>2</sup>	225,1 Ω	5703466158210
83901903	350 W	0,75 m x 4,8 m	3,60 m <sup>2</sup>	151,1 Ω	5703466158227
83901906	465 W	0,75 m x 6,4 m	4,80 m <sup>2</sup>	113,8 Ω	5703466158234
83901909	580 W	0,75 m x 8,0 m	6,00 m <sup>2</sup>	91,2 Ω	5703466158241
83901912	840 W	0,75 m x 11,4 m	8,60 m <sup>2</sup>	63,0 Ω	5703466158258
83901915	1115 W	0,75 m x 14,0 m	10,50 m <sup>2</sup>	47,4 Ω	5703466158265
83901918	1200 W	0,75 m x 16,0 m	12,00 m <sup>2</sup>	44,1 Ω	5703466158272



## DTCE 150T

DTCE is an extremely high-quality, 360° fully screened twin conductor heating mat with a tough outer sheath (UV stable). Its round profile and robust construction ensures a fast, simple and safe installation in floors where the heating cable is embedded in concrete.

Designed for indoor heating applications, placed and fixed on insulation and covered by minimum 50 mm concrete.

The cold lead has solid conductors ensuring fast installation with a clearly visible connection.

To ensure a long life-time, all cables are minutely inspected including tests for Ohmic resistance, high voltage and material controls to ensure the quality. This means that we are proud to supply our extended DEVIwarranty™.

**Note.** DTCE heating mat is not approved for installation on roof because the fixing tape is not UV-stable.



### Benefits:

- Fast and easy to install
- Safe and robust
- Long life-time
- Maximum protection
- UV stable

### Standard compliance:

- IEC60800:2009

### Approvals:



Type	Value
Nominal voltage	230 V~
Construction	Round, twin conductor with 360° screening, one cold lead
Output	150 W/m <sup>2</sup> @ 230 V~
Max. permissible use temperature, powered	70 °C
Max. permissible use temperature, unpowered	90 °C
Cable thickness	7 mm
Deformation strength	>1500 N
Pulling strength	>300 N
Conductor insulation	FEP
Outer sheath	UV protected PVC
Screen	0,5 mm <sup>2</sup> Cu, 100% Alu-foil
Cold lead	6 m DTCL, 3G 1,5mm <sup>2</sup>
Min. installation temperature	-5 °C
Bending Ø, min.	6 x cable diameter
IP Class	IPX7

### Types: set DTCE 150T

Item no.	Output @ 230V~	Dimensions (W x L)	Area	Resistance	EAN no.
83901921	290 W	0,75 m x 2,6 m	2,0 m <sup>2</sup>	182,4 Ω	5703466158289
83901924	440 W	0,75 m x 3,8 m	2,9 m <sup>2</sup>	120,2 Ω	5703466158296
83901927	575 W	0,75 m x 5,2 m	3,9 m <sup>2</sup>	92,8 Ω	5703466158302
83901930	720 W	0,75 m x 6,4 m	4,8 m <sup>2</sup>	73,5 Ω	5703466158319
83901933	1040 W	0,75 m x 9,2 m	6,9 m <sup>2</sup>	50,9 Ω	5703466158326
83901936	1450 W	0,75 m x 13,2 m	9,9 m <sup>2</sup>	36,5 Ω	5703466158333
83901939	1730 W	0,75 m x 15,8 m	11,9 m <sup>2</sup>	30,6 Ω	5703466158340



## DTCE 175T

DTCE is an extremely high-quality, 360° fully screened twin conductor heating mat with a tough outer sheath (UV stable). Its round profile and robust construction ensures a fast, simple and safe installation in floors where the heating cable is embedded in concrete.

Designed for indoor heating applications, placed and fixed on insulation and covered by minimum 50 mm concrete.

The cold lead has solid conductors ensuring fast installation with a clearly visible connection.

To ensure a long life-time, all cables are minutely inspected including tests for Ohmic resistance, high voltage and material controls to ensure the quality. This means that we are proud to supply our extended DEVIwarranty™.

**Note.** DTCE heating mat is not approved for installation on roof because the fixing tape is not UV-stable.



### Benefits:

- Fast and easy to install
- Safe and robust
- Long life-time
- Maximum protection
- UV stable

### Standard compliance:

- IEC60800:2009

### Approvals:



Type	Value
Nominal voltage	230 V~
Construction	Round, twin conductor with 360° screening, one cold lead
Output	175 W/m <sup>2</sup> @ 230 V~
Max. permissible use temperature, powered	70 °C
Max. permissible use temperature, unpowered	90 °C
Cable thickness	7 mm
Deformation strength	>1500 N
Pulling strength	>300 N
Conductor insulation	FEP
Outer sheath	UV protected PVC
Screen	0,5 mm <sup>2</sup> Cu, 100% Alu-foil
Cold lead	6 m DTCL, 3G 1,5mm <sup>2</sup>
Min. installation temperature	-5 °C
Bending Ø, min.	6 x cable diameter
IP Class	IPX7

### Types: set DTCE 175T

Item no.	Dimensions (W x L)	Area	Output @ 230V~	Resistance	EAN no.
83901942	0,75 x 1,5 m	1,1 m <sup>2</sup>	195 W	271,3 Ω	5703466158432
83901945	0,75 x 2,1 m	1,6 m <sup>2</sup>	265 W	199,6 Ω	5703466158449
83901948	0,75 x 4 m	3,0 m <sup>2</sup>	540 W	98,6 Ω	5703466158456
83901949	0,75 x 5,1 m	3,8 m <sup>2</sup>	680 W	77,8 Ω	5703466169995
83901951	0,75 x 6,75 m	5,1 m <sup>2</sup>	890 W	59,4 Ω	5703466158463
83901954	0,75 x 9,45 m	7,1 m <sup>2</sup>	1230 W	43,0 Ω	5703466158470
83901957	0,75 x 11,7 m	8,8 m <sup>2</sup>	1550 W	34,1 Ω	5703466158487
83901960	0,75 x 16,6 m	12,5 m <sup>2</sup>	2165 W	24,4 Ω	5703466158494
83901963	0,75 x 20,8 m	15,6 m <sup>2</sup>	2750 W	19,2 Ω	5703466158500





## DEVIDry™ 55



DEVIDry™ is a floor heating system consisting of a foam construction only 8 mm high with heating elements inside.

This all-in-one heating element and underlay system can be used under wooden floorings, parquets and laminates up to 22 mm. The system has been tested with flooring materials with insulation values from 0,05 to 0,18 m<sup>2</sup> K/W.

To ensure a long life-time, all heating elements are minutely inspected including tests for Ohmic resistance, high voltage and material controls to ensure the quality.

<b>Benefits:</b> <ul style="list-style-type: none"> <li>• Easy and simple installation</li> <li>• No screed needed</li> <li>• Fast responding</li> <li>• Noise reduction up to 17 dB.</li> <li>• Low building height</li> </ul> <b>Standard compliance:</b> <ul style="list-style-type: none"> <li>• IEC 60335-2-96 (with DEVIDry™ Pro Kit)</li> </ul> <b>Approvals:</b>	Type	V value
	Nominal voltage	230 V~
	Output	55 W/m <sup>2</sup> @ 230 V~
	Height	8 mm
	Max. amps per DEVIDry™ system	10 A
	Insulation value (μ)	8 W/m <sup>2</sup> K
	Sound reduction value	17 db
	IP class	X7
	Point load	>2000 N

### Types

3,5 m <sup>2</sup> *	Type	Heated area	Net output	EAN no.
89300000	DEVIDry™ 55, 1 m <sup>2</sup>	0,5 m <sup>2</sup> *	22 W	5703466177815
89300002	DEVIDry™ 55, 2 m <sup>2</sup>	1,5 m <sup>2</sup> *	77 W	5703466177822
89300004	DEVIDry™ 55, 3 m <sup>2</sup>	2,5 m <sup>2</sup> *	132 W	5703466177839
89300006	DEVIDry™ 55, 4 m <sup>2</sup>	3,5 m <sup>2</sup> *	187 W	5703466177846
89300008	DEVIDry™ 55, 5 m <sup>2</sup>	4,5 m <sup>2</sup> *	242 W	5703466177853

\* heated area includes area for supply cord. Remaining area is filler material for customization.

### Accessories

Item no.	Product name	Description	EAN no.
89300030	DEVIDry™ FM1	Filler material, 1 m <sup>2</sup>	5703466179352
89300031	DEVIDry™ FM2	Filler material, 2 m <sup>2</sup>	5703466179369
89300032	DEVIDry™ FM4	Filler material, 4 m <sup>2</sup>	5703466179376
19911110	DEVIDry™ X25	Extension cord, 25 cm	5703466177945
19911111	DEVIDry™ X100	Extension cord, 100 cm	5703466177952
19911112	DEVIDry™ X200	Extension cord, 200 cm	5703466177969

Output	Subfloor		Top floor	
	Wood	Concrete	Wood	Laminate
55 W/m <sup>2</sup>	+	+	+	+

## DEVIDry™ 100



DEVIDry™ is a floor heating system consisting of a foam construction only 8 mm high with heating elements inside.

This all-in-one heating element and underlay system can be used under wooden floorings, parquets and laminates up to 22 mm. The system has been tested with flooring materials with insulation values from 0,05 to 0,18 m<sup>2</sup> K/W.

To ensure a long life-time, all heating elements are minutely inspected including tests for Ohmic resistance, high voltage and material controls to ensure the quality.

### Benefits:

- Easy and simple installation
- No screed needed
- Fast responding
- Noise reduction up to 17 dB.
- Low building height

### Standard compliance:

- IEC 60335-2-96 (with DEVIDry™ Pro Kit)

### Approvals:



Type	V value
Nominal voltage	230 V~
Output	100 W/m <sup>2</sup> @ 230 V~ on concrete subfloors
Height	8 mm
Max. amps per DEVIDry™ system	10 A
Insulation value (μ)	8 W/m <sup>2</sup> K
Sound reduction value	17 db
IP class	X7
Point load	>2000 N

### Types

Item no.	Type	Dimensions (W x L)	Heated area	Net output	EAN no.
89300020	DEVIDry™ 100, 1 m <sup>2</sup>	1 x 1m	0,5 m <sup>2</sup> *	40 W	5703466177860
89300022	DEVIDry™ 100, 2 m <sup>2</sup>	1 x 2m	1,5 m <sup>2</sup> *	140 W	5703466177877
89300024	DEVIDry™ 100, 3 m <sup>2</sup>	1 x 3m	2,5 m <sup>2</sup> *	240 W	5703466177884
89300026	DEVIDry™ 100, 4 m <sup>2</sup>	1 x 4m	3,5 m <sup>2</sup> *	340 W	5703466177891
89300028	DEVIDry™ 100, 5 m <sup>2</sup>	1 x 5m	4,5 m <sup>2</sup> *	440 W	5703466177907

\* heated area includes area for supply cord. Remaining area is filler material for customization.

### Accessories

Item no.	Product name	Description	EAN no.
89300030	DEVIDry™ FM1	Filler material, 1 m <sup>2</sup>	5703466179352
89300031	DEVIDry™ FM2	Filler material, 2 m <sup>2</sup>	5703466179369
89300032	DEVIDry™ FM4	Filler material, 4 m <sup>2</sup>	5703466179376
19911110	DEVIDry™ X25	Extension cord, 25 cm	5703466177945
19911111	DEVIDry™ X100	Extension cord, 100 cm	5703466177952
19911112	DEVIDry™ X200	Extension cord, 200 cm	5703466177969

Output	Subfloor		Top floor	
	Wood	Concrete	Wood	Laminate
100 W/m <sup>2</sup>	-	+	+	+



## DEVIdry™ Pro Kit

The DEVIdry™ Pro Kit is used to control the DEVIdry™ floor heating system designed for floor heating in dry rooms under wooden floorings, parquets and laminates.

The kit consists of the DEVIreg™ Touch thermostat, the Circuit Device, the NTC Floor Sensor, the Supply Cord, the Power Supply Cord, the Connection Tool and aluminium Tape.

**2**  
YEAR  
WARRANTY

### Benefits:

- All-in-the-box
- Easy installation
- Digital timer thermostat
- Low standby consumption
- Childproof function

### Standard compliance:

- EN/IEC 60335-2-96 (with DEVIdry™)
- EN/IEC 60730-1 (general)
- EN/IEC 60730-2-7 (timer)
- EN/IEC 60730-2-9 (thermostat)

Type	DEVIreg™ Touch
Operation voltage	220 - 240 V~ 50/60 Hz
Standby power consumption	max. 0,40 W
Resistive load	16A, 3680 W @ 230 V
Inductive load	Max. 1 A, cos φ = 0,3
Sensing unit	NTC 15 kΩ @ 25 °C
Ambient temperature	0 °C to 30 °C
Frost protection	5°C to 9°C (default 5°C )
Temperature range	5 °C to 35°C (room) 5 °C to 45 °C (floor)
Cable specification max	1 x 4 mm <sup>2</sup> or 2 x 2,5 mm <sup>2</sup>
Ball pressure test temperature	75 °C
Pollution degree	2 (domestic use)
Controller type	1 C
Storage temperature	-20°C to +65°C
IP class	21
Protection class	Class II - <input type="checkbox"/>
Dimensions (H/W/D)	85 x 85 x 20-24 mm (in-wall depth: 22 mm)
Weight	115 g

### Types

Item no.	Product name	Type	EAN no.
19911006	DEVIdry™ Pro Kit	With DEVIreg™ Touch	5703466194515

### Accessories

Item no.	Product name	Type	EAN no.
19911009	Supply cord	3 m, 1 mm <sup>2</sup> , max. 10 A	5703466197301

Output	Subfloor		Top floor	
	Wood	Concrete	Wood	Laminate
55 W/m <sup>2</sup>	+	+	+	+
100 W/m <sup>2</sup>	-	+	+	+



## DEVIcell™

DEVIcell™ is an energy-efficient system, which provides up to 20% extra energy saving through integrated thermal insulation. DEVIcell™ Insulation plate covered with aluminum and readymade grooves for easy and fast installation of DEVIflex™ heating cables. The full covering aluminum effect ensures faster reaction time and an even heat distribution for the top floor.

DEVIcell™ a special system for new floor installed on top of all existing floors or sub floors. The system can be installed on the existing tiles, wooden floors or concrete floors. The system can be used under nearly all types of floor surfaces. In case of “wet” installation - the glue and primer, must be suitable for installation of tiles onto an aluminum plate and confirmed by supplier of adhesives.

DEVIcell™ system under laminate, wooden or parquet floors – DEVIcell™ & DEVIflex™ must not be embedded in concrete or similar “wet” material, Dry installation only.

### Benefits:

- Sturdy construction
- No mason work with screed
- Fits DEVIflex™
- Fits odd corners
- Reduced downward heat loss
- Even temperature distribution
- Quick response time with timer
- Noise reduction -3 dB

Type	V alue
Construction	Polystyrene with aluminium
R value	0,26 m <sup>2</sup> K/W
Plate size	50 x 100 cm
Thickness	13 mm
Aluminium thickness	0,8 mm
Insulation	12 mm fire retardant EPS
Deformation strength	>400 kPa at 10% compression
Max working temp	80 °C
Usage of cable	5 metres per plate
Noise reduction	-3 dB

### Heat density [W/m<sup>2</sup>]

CC-distance [cm]	DEVIflex™ 6	DEVIflex™ 10
10	60 W/m <sup>2</sup>	100 W/m <sup>2</sup>
20	not recommendable (30W/m <sup>2</sup> )	50 W/m <sup>2</sup>

### Types

Item no.	Type	No. of plates	EAN no.
140F1131*	DEVIcell™, 2 m <sup>2</sup> package	4 plates	5703466179895
140F1130*	DEVIcell™, 5 m <sup>2</sup> package	10 plates	5703466179888
140F1132*	DEVIcell™, 50 m <sup>2</sup> pallet	100 plates	5703466179901

### Accessories

Item no.	Description	EAN no.
18055300	Mounting set for sensor	5703466128893
19805076	Aluminium tape 38 mm x 50 m, to ensure cable contact in cavities	5703466128923
15992250	Connective clips for DEVIcell™	5703466129340
00109200*	Edge plates for DEVIcell™	5703466194560

\*This product contains a substance included on the candidate list according to article 59 (1,10) of regulation EC No. 1907/2006 ('REACH') in a concentration above 0,1% w/w: flameproofing agent, hexabromocyclododecane. HBCD is also present on the Annex 14 list.



## DEVIpipeheat™ 10 V2

The DEVIpipeheat™ 10 V2 is a self-limiting heating cable that is mainly used for frost protection of pipes.

The self-limiting capability of the cable ensures that the output of the cable increase or decrease according to ambient temperature.

The heating cables can be installed outside water pipes. The product range: drum cable, cable with cold lead without mains plug and cable with cold lead mains plug.

The product range: drum cable and cable with cold lead mains plug. All self-limiting heating cables must be over-temperature protected by a thermostat, as the output will decrease, but never be zero, and be protected by a RCD with a maximum trip current of 30 mA.

**Note 1:** The cable is not approved for installation inside the water pipe and for use in contact with drinking water or water for human consumption, waste water, etc.

**Note 2:** It is the full responsibility of the installer/designer to use proper cold lead dimensioned for the purpose and assembly sets that establish sufficient mechanical strength, flammability resistance and water tightness - and to design the heating unit with correct output for the specific application to avoid overheating of the cable or building materials.

### Benefits:

- Cut to length on site
- Ready-made lengths
- Small cable size

### Standard compliance:

- IEC 60335-1:2012

### Approvals:



Type	Value
Nominal voltage	230 V~
Nominal output (tolerance)	10 W/m @ 10 °C (8,5-13,5 W/m @ 10 °C)
Max. permissible use temperature, powered	65 °C
Max. permissible use temperature, unpowered	85 °C
Minimum installation temperature	- 5 °C
Heating cable dimensions	7,8 x 5,3 mm
Outer sheath	Blue, TPE
Minimum Screen Coverage	100% aluminium foil
Maximum resistance protective braid	18,2 Ω/Km
Bending radius, min.	25 mm (inside of the cable)
Cold lead with plug	2 m, 3 x 0,75 mm <sup>2</sup> , types: with Schuko plug and with Danish plug
IP Class	IPX7

### Types: Drum

Item no.	Type	Length	Min-max length per drum	Number of length allowed on drum, max	Output @ 10 °C	EAN no.
98300016	DEVIpipeheat™ 10 V2, Drum	Drum, 100 m	100 m	1	10 W/m	5703466217771
98300015	DEVIpipeheat™ 10 V2, Drum	Drum, 270 m	270-330 m	1	10 W/m	5703466217764
98300017	DEVIpipeheat™ 10 V2, Drum	Drum, 900 m	900-1100 m	2, between 100 & 1100 m	10 W/m	5703466217788
98300019	DEVIpipeheat™ 10 V2, Drum	Cut-to-length	1 – 900 m	1 / 2	10 W/m	5703466217801

### Types: Ready-mady with Schuko plug

Item no.	Type	Length	Output @ 10 °C	EAN no.
98300071	DEVipeheat™ 10 V2 with Schuko plug	2 m	20 W	5703466217924
98300072	DEVipeheat™ 10 V2 with Schuko plug	4 m	40 W	5703466217931
98300073	DEVipeheat™ 10 V2 with Schuko plug	6 m	60 W	5703466217948
98300074	DEVipeheat™ 10 V2 with Schuko plug	8 m	80 W	5703466217955
98300075	DEVipeheat™ 10 V2 with Schuko plug	10 m	100 W	5703466217962
98300076	DEVipeheat™ 10 V2 with Schuko plug	12 m	120 W	5703466217979
98300077	DEVipeheat™ 10 V2 with Schuko plug	14 m	140 W	5703466217986
98300078	DEVipeheat™ 10 V2 with Schuko plug	16 m	160 W	5703466217993
98300079	DEVipeheat™ 10 V2 with Schuko plug	19 m	190 W	5703466218006
98300080	DEVipeheat™ 10 V2 with Schuko plug	22 m	220 W	5703466218013
98300081	DEVipeheat™ 10 V2 with Schuko plug	25 m	250 W	5703466218020

### Types: Ready-mady with plug, Denmark version

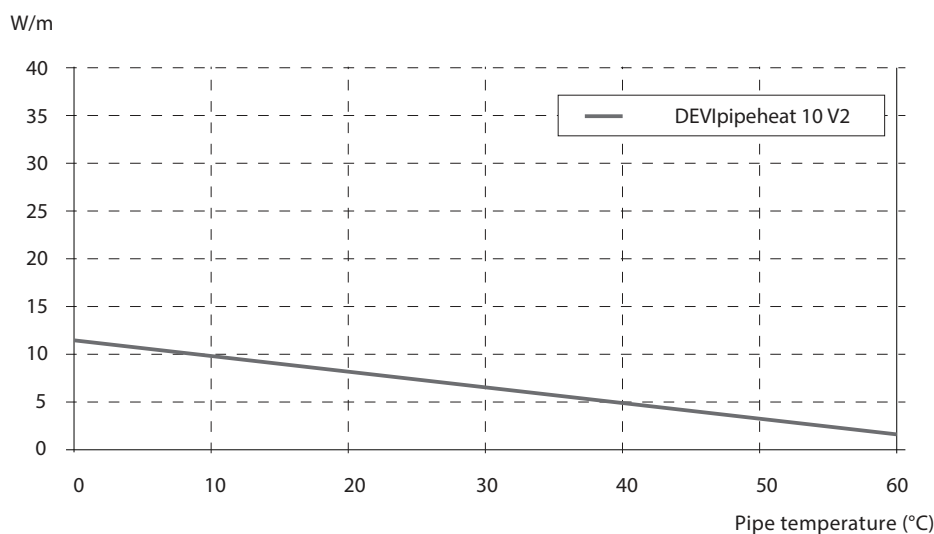
Item no.	Type	Length	Output @ 10 °C	EAN no.
98300082	DEVipeheat™ 10 V2 with DK plug	2 m	20 W	5703466218037
98300083	DEVipeheat™ 10 V2 with DK plug	4 m	40 W	5703466218044
98300084	DEVipeheat™ 10 V2 with DK plug	6 m	60 W	5703466218051
98300085	DEVipeheat™ 10 V2 with DK plug	8 m	80 W	5703466218068
98300086	DEVipeheat™ 10 V2 with DK plug	10 m	100 W	5703466218075
98300087	DEVipeheat™ 10 V2 with DK plug	12 m	120 W	5703466218082
98300088	DEVipeheat™ 10 V2 with DK plug	14 m	140 W	5703466218099
98300089	DEVipeheat™ 10 V2 with DK plug	16 m	160 W	5703466218105
98300090	DEVipeheat™ 10 V2 with DK plug	19 m	190 W	5703466218112
98300091	DEVipeheat™ 10 V2 with DK plug	22 m	220 W	5703466218129
98300092	DEVipeheat™ 10 V2 with DK plug	25 m	250 W	5703466218136

### Maximum heating circuit length on a pipe\*, with circuit breaker with C-characteristic

Switch on temperature	DEVipeheat™ 10 V2	
	10 A	16 A
10 °C	100 m*	-
0 °C	96 m	-
-20 °C	77 m	-

### Power output characteristic

Output of heating cable installed and measured on a pipe.





## DEVlaqua™ 9T - 230 V, DEVlaqua™ 9T - 400 V, DEVlaqua™ Special Order

The DEVlaqua™ 9T is a light blue, high-quality, round, series resistive, full screened, twin conductor heating cable with a tough outer sheath and with a special ¾" and 1" pipe fitting. It is approved for use in contact with drinking water up to 23 °C.

The DEVlaqua™ 9T is a heating cable developed for being installed inside drinking water pipes with the purpose to prevent frozen pipes (not for keeping water hot in pipes).

The heating cable is supplied in readymade lengths with a ¾" and 1" fitting to establish a water tight entrance for the heating cable into the drinking water pipe. It is equipped with a UV stable cold lead with solid conductors ensuring fast installation with a clearly visible connection.

**Note!** DEVlaqua™ 9T is only for use when installed in a pipe and only when fully covered by water. DEVlaqua™ 9T is only intended for being used for drinking water with max. temperature 23 °C.

### Benefits:

- Frost protection inside water pipes
- Approved for drinking water
- GDV certificate
- Readymade with cold tail
- Wide range up to 417 m
- ¾" and 1" pipe fitting
- Power supply 230 & 400 V
- Safe and robust
- Long life-time

### Standard compliance:

- IEC 60800:2009

### Approvals:



Type	Value
Nominal voltage	230 or 400 V~
Construction	Round, series resistive, twin conductor with 360° screen, with ¾" and 1" pipe fitting, one cold lead
Output:	
• Ready made	9 W/m
• Special order, max	15 W/m
Max. water pressure	10 Bar
Max. water temperature	23 °C
Cable dimensions	Ø 7 mm
Deformation strength	>1500 N
Pulling strength	>650 N
Conductor insulation	XLPE
Outer sheath	Light blue, MDPE
Screen	Alu-foil 100% coverage + 0,5 mm <sup>2</sup> tinned copper drain wire
Cold lead	2,3 m, 3G 1,5mm <sup>2</sup> , DTCL, UV-resistant
Min. installation temperature	-5 °C
Bending Ø, min.	6 x cable diameter
IP Class	IPX7

### Type: DEVlaqua™ 9T - 230 V

Item no.	Output @ 230 V~	Cable length	Resistance	EAN no.
140F0000	25 W	3 m	2116,0 Ω	5703466201534
140F0001	45 W	5 m	1175,6 Ω	5703466201541
140F0002	65 W	7 m	813,8 Ω	5703466201558
140F0003	90 W	10 m	587,8 Ω	5703466201565
140F0004	110 W	12 m	480,9 Ω	5703466201572
140F0005	135 W	15 m	391,9 Ω	5703466201589
140F0006	180 W	20 m	293,9 Ω	5703466201596
140F0007	225 W	25 m	235,1 Ω	5703466201602
140F0008	270 W	30 m	195,9 Ω	5703466201619
140F0009	315 W	35 m	167,9 Ω	5703466201626
140F0010	360 W	40 m	146,9 Ω	5703466201633
140F0011	450 W	50 m	117,6 Ω	5703466201640
140F0012	540 W	60 m	98,0 Ω	5703466201657
140F0013	630 W	70 m	84,0 Ω	5703466201664
140F0014	720 W	80 m	73,5 Ω	5703466201671
140F0015	810 W	90 m	65,3 Ω	5703466201688
140F0016	900 W	100 m	58,7 Ω	5703466201695
140F0017	990 W	110 m	53,4 Ω	5703466201701
140F0018	1080 W	120 m	49,0 Ω	5703466201718
140F0019	1170 W	130 m	45,2 Ω	5703466201725
140F0020	1260 W	140 m	42,0 Ω	5703466201732



Item no.	Output @ 230 V~	Cable length	Resistance	EAN no.
140F0021	1350 W	150 m	39,2 Ω	5703466201749
140F0022	1405 W	157 m	37,7 Ω	5703466249345
140F0023	1510 W	167 m	35,1 Ω	5703466249352
140F0024	1695 W	187 m	31,2 Ω	5703466249369
140F0025	1895 W	210 m	27,9 Ω	5703466249376
140F0026	1965 W	219 m	26,9 Ω	5703466249383
140F0027	2160 W	240 m	24,5 Ω	5703466249390

### Type: DEVlaqua™ 9T - 400 V

Item no.	Output @ 400 V~	Cable length	Resistance	EAN no.
140F0030	2450 W	272 m	65,3	5703466249406
140F0031	2625 W	290 m	60,9	5703466249413
140F0032	2940 W	326 m	54,4	5703466249420
140F0033	3285 W	366 m	48,7	5703466249437
140F0034	3425 W	380 m	46,7	5703466249444
140F0035	3760 W	417 m	42,5	5703466249451

### Type: DEVlaqua™ Special Order <sup>1)</sup>

Item no.	Output	Cable length	Resistance	EAN no.
140F9997	max 15 W/m	-	-	5703466212820

<sup>1)</sup>When making DEVlaqua™ Special Order, 3 points from the table below should be considered: 230 V or 400 V, W/m and Length.

### Possible cable lengths for Special Order with output from 10 W/m to 15 W/m

230 V						400 V						Reference data for Special Order		
W/m						W/m								
10	11	12	13	14	15	10	11	12	13	14	15	Item. no.	Description	Ohm/m
Calculated length, m*						Calculated length, m*								
2,7	2,6	2,5	2,4	2,3	2,2	4,8	4,5	4,3	4,2	4,0	3,9	140F0000	DEVlaqua™ 9T, 230 V, 3 m	705
4,7	4,5	4,3	4,2	4,0	3,9	8,3	7,9	7,5	7,2	7,0	6,7	140F0001	DEVlaqua™ 9T, 230 V, 5 m	235
6,8	6,4	6,2	5,9	5,7	5,5	11,7	11,2	10,7	10,3	9,9	9,6	140F0002	DEVlaqua™ 9T, 230 V, 7 m	116
9,5	9,0	8,7	8,3	8,0	7,7	16,5	15,7	15,1	14,5	13,9	13,5	140F0003	DEVlaqua™ 9T, 230 V, 10 m	58,8
11,5	11,0	10,5	10,1	9,7	9,4	20,0	19,1	18,3	17,5	16,9	16,3	140F0004	DEVlaqua™ 9T, 230 V, 12 m	40,0
14,2	13,6	13,0	12,5	12,0	11,6	25	24	23	22	21	20	140F0005	DEVlaqua™ 9T, 230 V, 15 m	26,1
19,0	18,1	17,3	16,6	16,0	15,5	33	31	30	29	28	27	140F0006	DEVlaqua™ 9T, 230 V, 20 m	14,7
24	23	22	21	20	19	41	39	38	36	35	34	140F0007	DEVlaqua™ 9T, 230 V, 25 m	9,40
29	27	26	25	24	23	50	47	45	44	42	41	140F0008	DEVlaqua™ 9T, 230 V, 30 m	6,50
33	32	30	29	28	27	58	55	53	51	49	47	140F0009	DEVlaqua™ 9T, 230 V, 35 m	4,80
38	36	35	33	32	31	66	63	60	58	56	54	140F0010	DEVlaqua™ 9T, 230 V, 40 m	3,67
47	45	43	42	40	39	83	79	75	72	70	67	140F0011	DEVlaqua™ 9T, 230 V, 50 m	2,35
57	54	52	50	48	47	99	94	90	87	84	81	140F0012	DEVlaqua™ 9T, 230 V, 60 m	1,63
66	63	61	58	56	54	115	110	105	101	98	94	140F0013	DEVlaqua™ 9T, 230 V, 70 m	1,20
76	72	69	67	64	62	132	126	121	116	112	108	140F0014	DEVlaqua™ 9T, 230 V, 80 m	0,918
85	81	78	75	72	70	149	142	136	130	126	121	140F0015	DEVlaqua™ 9T, 230 V, 90 m	0,725
95	90	87	83	80	77	165	157	151	145	139	135	140F0016	DEVlaqua™ 9T, 230 V, 100 m	0,588
104	100	95	92	88	85	182	173	166	159	154	148	140F0017	DEVlaqua™ 9T, 230 V, 110 m	0,485
114	109	104	100	96	93	198	189	181	174	167	162	140F0018	DEVlaqua™ 9T, 230 V, 120 m	0,408
123	118	113	108	104	101	214	204	196	188	181	175	140F0019	DEVlaqua™ 9T, 230 V, 130 m	0,348
133	127	121	116	112	108	231	220	211	203	195	189	140F0020	DEVlaqua™ 9T, 230 V, 140 m	0,300
142	136	130	125	120	116	248	236	226	217	209	202	140F0021	DEVlaqua™ 9T, 230 V, 150 m	0,261
148	142	136	130	125	121	258	246	236	226	218	211	140F0022	DEVlaqua™ 9T, 230 V, 157 m	0,240
159	151	145	139	134	130	276	263	252	242	233	225	140F0023	DEVlaqua™ 9T, 230 V, 167 m	0,210
178	170	162	156	150	145	310	295	283	271	262	253	140F0024	DEVlaqua™ 9T, 230 V, 187 m	0,167
199	190	182	175	169	163	347	331	317	304	293	283	140F0025	DEVlaqua™ 9T, 230 V, 210 m	0,133
207	198	189	182	175	169	361	344	329	316	305	294	140F0026	DEVlaqua™ 9T, 230 V, 219 m	0,123
228	217	208	200	192	186	396	378	362	347	335	323	140F0027	DEVlaqua™ 9T, 230 V, 240 m	0,102

**\*Notice:** Some cables have high output and correct size of power cold lead should be chosen according to local norms and regulations. Normally do not allowed more than 10 A for a 1,5 mm<sup>2</sup> cold lead, and more than 16 A for a 2,5 mm<sup>2</sup> cold lead.

## DEVIsafe™ 20T - 230V



DEVIsafe™ is an extremely high-quality, 360° fully screened twin conductor cable with a tough outer sheath (UV stable). Its round profile and robust construction ensures a fast, simple and safe installation in multiple outdoor applications.

DEVIsafe™ heating cables should not be in direct contact with bitumen roofs.

The cold lead is an installation cable with solid conductors ensuring fast installation with a clearly visible connection.

To ensure a long life-time, all cables are minutely inspected including tests for Ohmic resistance, high voltage and material controls to ensure the quality. This means that we are proud to supply our extended DEVIwarranty™.

### Benefits:

- Fast and easy to install
- Multiple application options
- Safe and robust
- Long life-time
- Maximum protection
- UV stable

### Standard compliance:

- IEC60800:2009

### Approvals:



Type	Value
Nominal voltage	230 V~
Construction	Round, twin conductor with 360° screen, one cold lead
Output	20 W/m
Max. permissible use temperature, powered	60 °C
Max. permissible use temperature, unpowered	90 °C
Cable dimensions	Ø 6,9 mm
Deformation strength	>1500 N
Pulling strength	>500 N
Conductor insulation	XLPE
Outer sheath	UV protected PVC
Screen	100% coverage; alu-foil; 0,5 mm <sup>2</sup> tinned copper drain wire
Cold lead	2,3 m, DTCL, 3G (1,5 or 2,5)mm <sup>2</sup>
Min. installation temperature	-5 °C
Bending Ø, min.	6 x cable diameter
IP Class	IPX7

### Types

Item no.	Output @ 230V~	Cable length	Resistance	Cold lead	EAN no.
140F1273	125 W	6 m	430,1 Ohm	3 x 1,5 mm <sup>2</sup>	5703466224090
140F1274	250 W	12 m	216,5 Ohm	3 x 1,5 mm <sup>2</sup>	5703466224106
140F1275	335 W	17 m	157,3 Ohm	3 x 1,5 mm <sup>2</sup>	5703466224113
140F1276	505 W	25 m	105,2 Ohm	3 x 1,5 mm <sup>2</sup>	5703466224120
140F1277	675 W	33 m	79,2 Ohm	3 x 1,5 mm <sup>2</sup>	5703466224137
140F1278	830 W	42 m	63,4 Ohm	3 x 1,5 mm <sup>2</sup>	5703466224144
140F1279	1000 W	50 m	53,0 Ohm	3 x 1,5 mm <sup>2</sup>	5703466224151
140F1280	1200 W	60 m	44,1 Ohm	3 x 1,5 mm <sup>2</sup>	5703466224168
140F1281	1370 W	68 m	38,7 Ohm	3 x 1,5 mm <sup>2</sup>	5703466224175
140F1199	1545 W	76 m	34,2 Ohm	3 x 1,5 mm <sup>2</sup>	5703466242940
140F1282	1700 W	85 m	31,2 Ohm	3 x 1,5 mm <sup>2</sup>	5703466224182
140F1283	2040 W	101 m	26,1 Ohm	3 x 2,5 mm <sup>2</sup>	5703466224199
140F1284	2360 W	118 m	22,4 Ohm	3 x 2,5 mm <sup>2</sup>	5703466224205
140F1285	2685 W	135 m	19,7 Ohm	3 x 2,5 mm <sup>2</sup>	5703466224212
140F1286	3025 W	152 m	17,5 Ohm	3 x 2,5 mm <sup>2</sup>	5703466224229
140F1287	3385 W	170 m	15,6 Ohm	3 x 2,5 mm <sup>2</sup>	5703466224236
140F1288	3895 W	194 m	13,6 Ohm	3 x 2,5 mm <sup>2</sup>	5703466224243







## DEVIsnow™ 20T - 230 V DEVIsnow™ 20T - 400 V

DEVIsnow™ is an extremely high-quality, 360° fully screened twin conductor cable with a tough outer sheath (UV stable) and **cold lead 2,3 m long**. Its round profile and robust construction ensures a fast, simple and safe installation on roofs, in gutters, down drain pipes and on the ground.

DEVIsnow™ heating cables should not be in direct contact with bitumen roofs.

The cold lead has solid conductors ensuring fast installation with a clearly visible connection.

To ensure a long life-time, all cables are minutely inspected including tests for Ohmic resistance, high voltage and material controls to ensure the quality. This means that we are proud to supply our extended DEVIwarranty™.

### Benefits:

- Fast and easy to install
- Multiple outdoor applications
- Safe and robust
- Long life-time
- Maximum protection
- UV stable

### Standard compliance:

- IEC60800:2009

### Approvals:



Type	Value
Nominal voltage	230 and 400 V~
Construction	Twin conductor with 360° screening, one cold lead
Output	20 W/m
Max. permissible use temperature, powered	70 °C
Max. permissible use temperature, unpowered	90 °C
Cable diameter	7 mm
Deformation strength	>1500 N
Pulling strength	>300 N
Conductor insulation	FEP
Outer sheath	UV protected PVC
Screen	0,5 mm <sup>2</sup> Cu, 100% Alu-foil
Cold lead	2,3 m, DTCL, 3G (1,5 or 2,5)mm <sup>2</sup>
Min. installation temperature	-5 °C
Bending Ø, min.	6 x cable diameter
IP Class	IPX7

### Types: DEVIsnow™ 20T - 230 V

Item no.	Output @ 230V~	Resistance	Cable length	Cold lead	EAN no.
140F1116	125 W	423,2 Ω	6 m	3 x 1,5 mm <sup>2</sup>	5703466211908
83902100	250 W	211,6 Ω	12 m	3 x 1,5 mm <sup>2</sup>	5703466187456
140F1117	332 W	164,3 Ω	17 m	3 x 1,5 mm <sup>2</sup>	5703466211915
83902101	505 W	104,8 Ω	25 m	3 x 1,5 mm <sup>2</sup>	5703466187463
140F1118	677 W	78,1 Ω	33 m	3 x 1,5 mm <sup>2</sup>	5703466211922
83902102	855 W	61,9 Ω	40 m	3 x 1,5 mm <sup>2</sup>	5703466187470
83902103	1000 W	52,9 Ω	50 m	3 x 1,5 mm <sup>2</sup>	5703466187487
83902104	1200 W	44,1 Ω	60 m	3 x 1,5 mm <sup>2</sup>	5703466187494
83902105	1333 W	39,7 Ω	70 m	3 x 1,5 mm <sup>2</sup>	5703466187500
83902106	1695 W	31,2 Ω	85 m	3 x 1,5 mm <sup>2</sup>	5703466187517
83902107	2060 W	25,7 Ω	100 m	3 x 1,5 mm <sup>2</sup>	5703466187524
140F1119	2421 W	21,9 Ω	115 m	3 x 1,5 mm <sup>2</sup>	5703466211939
83902108	2685 W	19,7 Ω	135 m	3 x 1,5 mm <sup>2</sup>	5703466187531
83902109	3066 W	17,3 Ω	150 m	3 x 2,5 mm <sup>2</sup>	5703466187548
83902110	3382 W	15,6 Ω	170 m	3 x 2,5 mm <sup>2</sup>	5703466187555
83902111	3875 W	13,7 Ω	195 m	3 x 2,5 mm <sup>2</sup>	5703466187562

**Types: DEVIsnow™ 20T - 400 V**

Item no.	Output @ 400V~	Resistance	Cable length	Cold lead	EAN no.
83902112	433 W	369,5 Ω	21 m	3 x 1,5 mm <sup>2</sup>	5703466187579
83902113	570 W	280,7 Ω	30 m	3 x 1,5 mm <sup>2</sup>	5703466187586
83902114	888 W	180,2 Ω	43 m	3 x 1,5 mm <sup>2</sup>	5703466187593
83902115	1165 W	137,3 Ω	58 m	3 x 1,5 mm <sup>2</sup>	5703466187609
83902116	1463 W	109,4 Ω	72 m	3 x 1,5 mm <sup>2</sup>	5703466187616
83902117	1780 W	89,9 Ω	85 m	3 x 1,5 mm <sup>2</sup>	5703466187623
83902118	2073 W	77,2 Ω	105 m	3 x 1,5 mm <sup>2</sup>	5703466187630
83902119	2628 W	60,9 Ω	135 m	3 x 1,5 mm <sup>2</sup>	5703466187647
83902120	2905 W	55,1 Ω	150 m	3 x 1,5 mm <sup>2</sup>	5703466187654
83902121	3245 W	49,3 Ω	170 m	3 x 1,5 mm <sup>2</sup>	5703466187661
83902122	4108 W	39,0 Ω	205 m	3 x 1,5 mm <sup>2</sup>	5703466187678



## DEVIsnow™ 30T - 230 V DEVIsnow™ 30T - 400 V

**DEVIsnow™** is an extremely high-quality, 360° fully screened twin conductor cable with a tough black PVC outer sheath (UV stable) and **cold lead 2,3 and 30 m long**. Its round profile and robust construction ensures a fast, simple and safe installation on roofs, in gutters, down drain pipes and on the ground.

DEVIsnow™ heating cables should not be in direct contact with bitumen roofs.

The cold lead has solid conductors ensuring fast installation with a clearly visible connection.

To ensure a long life-time, all cables are minutely inspected including tests for Ohmic resistance, high voltage and material controls to ensure the quality. This means that we are proud to supply our extended DEVIwarranty™.

### Benefits:

- Fast and easy to install
- Multiple outdoor applications
- Safe and robust
- Long life-time
- Maximum protection
- UV stable

### Standard compliance:

- IEC60800:2009

### Approvals:



Type	Value
Nominal voltage	230 and 400 V~
Construction	Twin conductor with 360° screening, one cold lead
Output	30 W/m
Max. permissible use temperature, powered	60 °C
Max. permissible use temperature, unpowered	90 °C
Cable diameter	7 mm
Deformation strength	>1500 N
Pulling strength	>300 N
Conductor insulation	FEP
Outer sheath	UV protected PVC
Screen	0,5 mm <sup>2</sup> Cu, 100% Alu-foil
Cold lead	2,3 m, 10 m or 30 m, DTCL, 3G (1,5 or 2,5)mm <sup>2</sup>
Min. installation temperature	-5 °C
Bending Ø, min.	6 x cable diameter
IP Class	IPX7

### Types: DEVIsnow™ 30T - 230V with cold lead 2,3 m

Item no.	Output @ 230V~	Resistance	Cable length	Cold lead	EAN no.
89845995	150 W	352,7 Ω	5 m	3 x 1,5 mm <sup>2</sup>	5703466187128
89846000	300 W	176,3 Ω	10 m	3 x 1,5 mm <sup>2</sup>	5703466150115
89846002	400 W	132,3 Ω	14 m	3 x 1,5 mm <sup>2</sup>	5703466150122
89846004	630 W	84,0 Ω	20 m	3 x 1,5 mm <sup>2</sup>	5703466150139
89846006	830 W	63,7 Ω	27 m	3 x 1,5 mm <sup>2</sup>	5703466150146
89846008	1020 W	51,9 Ω	34 m	3 x 1,5 mm <sup>2</sup>	5703466150153
89846010	1250 W	42,3 Ω	40 m	3 x 1,5 mm <sup>2</sup>	5703466150160
89846012	1350 W	39,2 Ω	45 m	3 x 1,5 mm <sup>2</sup>	5703466150177
89846014	1440 W	36,7 Ω	50 m	3 x 1,5 mm <sup>2</sup>	5703466150184
89846016	1700 W	31,1 Ω	55 m	3 x 1,5 mm <sup>2</sup>	5703466150191
89846018	1860 W	28,4 Ω	63 m	3 x 1,5 mm <sup>2</sup>	5703466150207
89846020	2060 W	25,7 Ω	70 m	3 x 1,5 mm <sup>2</sup>	5703466150214
89846022	2340 W	22,3 Ω	78 m	3 x 1,5 mm <sup>2</sup>	5703466150221
89846024	2420 W	21,9 Ω	85 m	3 x 1,5 mm <sup>2</sup>	5703466150238
89846026	2930 W	18,1 Ω	95 m	3 x 1,5 mm <sup>2</sup>	5703466150245
89846028	3290 W	16,1 Ω	110 m	3 x 2,5 mm <sup>2</sup>	5703466150252
89846030	3680 W	14,4 Ω	125 m	3 x 2,5 mm <sup>2</sup>	5703466150269
89846032	4110 W	12,9 Ω	140 m	3 x 2,5 mm <sup>2</sup>	5703466150276

**Types: DEVIsnow™ 30T - 230V with cold lead 30 m**

Item no.	Output @ 230V~	Resistance	Cable length	Cold lead	EAN no.
140F0635	300 W	176,3 Ω	10 m	3 x 1,5 mm <sup>2</sup>	5703466229392
140F0636	400 W	132,3 Ω	14 m	3 x 1,5 mm <sup>2</sup>	5703466229408
140F0637	630 W	84,0 Ω	20 m	3 x 1,5 mm <sup>2</sup>	5703466229415
140F0638	830 W	63,7 Ω	27 m	3 x 1,5 mm <sup>2</sup>	5703466229422
140F0639	1020 W	51,9 Ω	34 m	3 x 1,5 mm <sup>2</sup>	5703466229439
140F0640	1250 W	42,3 Ω	40 m	3 x 1,5 mm <sup>2</sup>	5703466229446
140F0641	1350 W	39,2 Ω	45 m	3 x 1,5 mm <sup>2</sup>	5703466229453
140F0642	1440 W	36,7 Ω	50 m	3 x 1,5 mm <sup>2</sup>	5703466229460
140F0643	1700 W	31,1 Ω	55 m	3 x 1,5 mm <sup>2</sup>	5703466229477
140F0644	1860 W	28,4 Ω	63 m	3 x 1,5 mm <sup>2</sup>	5703466229484
140F0645	2060 W	25,7 Ω	70 m	3 x 1,5 mm <sup>2</sup>	5703466229491
140F0646	2340 W	22,3 Ω	78 m	3 x 1,5 mm <sup>2</sup>	5703466229507
140F0647	2420 W	21,9 Ω	85 m	3 x 1,5 mm <sup>2</sup>	5703466229514
140F0648	2930 W	18,1 Ω	95 m	3 x 1,5 mm <sup>2</sup>	5703466229521
140F0649	3290 W	16,1 Ω	110 m	3 x 2,5 mm <sup>2</sup>	5703466229538
140F0650	3680 W	14,4 Ω	125 m	3 x 2,5 mm <sup>2</sup>	5703466229545
140F0651	4110 W	12,9 Ω	140 m	3 x 2,5 mm <sup>2</sup>	5703466229552

**Types: DEVIsnow™ 30T - 400 V with cold lead 10 m**

Item no.	Output @ 400 V~	Resistance	Cable length	Cold lead	EAN no.
89845996	267 W	599,3 Ω	8,5 m	3 x 1,5 mm <sup>2</sup>	5703466187241
89846050	520 W	307,7 Ω	17,5 m	3 x 1,5 mm <sup>2</sup>	5703466163092
89846053	1090 W	146,8 Ω	35,0 m	3 x 1,5 mm <sup>2</sup>	5703466163108
89846056	2160 W	74,1 Ω	70,0 m	3 x 1,5 mm <sup>2</sup>	5703466163115
89846060	3225 W	49,6 Ω	110,0 m	3 x 1,5 mm <sup>2</sup>	5703466163122
89846062	4295 W	37,3 Ω	145,0 m	3 x 1,5 mm <sup>2</sup>	5703466164648
89846063	4955 W	32,3 Ω	170,0 m	3 x 2,5 mm <sup>2</sup>	5703466164655
89846065	5770 W	27,7 Ω	190,0 m	3 x 2,5 mm <sup>2</sup>	5703466163139
89846067	6470 W	24,7 Ω	215,0 m	3 x 2,5 mm <sup>2</sup>	5703466164662

**Types: DEVIsnow™ 30T - 400 V with cold lead 30 m**

Item no.	Output @ 400 V~	Resistance	Cable length	Cold lead	EAN no.
140F0652	520 W	307,7 Ω	17,5 m	3 x 1,5 mm <sup>2</sup>	5703466163092
140F0653	1090 W	146,8 Ω	35,0 m	3 x 1,5 mm <sup>2</sup>	5703466163108
140F0654	2160 W	74,1 Ω	70,0 m	3 x 1,5 mm <sup>2</sup>	5703466163115
140F0655	3225 W	49,6 Ω	110,0 m	3 x 1,5 mm <sup>2</sup>	5703466163122
140F0656	4295 W	37,3 Ω	145,0 m	3 x 1,5 mm <sup>2</sup>	5703466164648
140F0657	4955 W	32,3 Ω	170,0 m	3 x 2,5 mm <sup>2</sup>	5703466164655
140F0658	5770 W	27,7 Ω	190,0 m	3 x 2,5 mm <sup>2</sup>	5703466163139
140F0659	6470 W	24,7 Ω	215,0 m	3 x 2,5 mm <sup>2</sup>	5703466164662





## DEVIsnow™ 300T - 230 V DEVIsnow™ 300T - 400 V

DEVIsnow™ is an extremely high-quality, 360° fully screened twin conductor heating mat with a tough outer sheath (UV stable). Its round profile and robust construction ensures a fast, simple and safe installation on the ground.

DEVIsnow™ heating mats should not be in direct contact with bitumen roofs.

The cold lead has solid conductors ensuring fast installation with a clearly visible connection.

To ensure a long life-time, all cables are minutely inspected including tests for Ohmic resistance, high voltage and material controls to ensure the quality. This means that we are proud to supply our extended DEVIwarranty™.

**Note.** DEVIsnow™ heating mat is not approved for installation on roof because the fixing tape is not UV-stable.

### Benefits:

- Fast and easy to install
- Multiple outdoor applications
- Safe and robust
- Long life-time
- Maximum protection
- UV stable

### Standard compliance:

- IEC60800:2009

### Approvals:



Type	Value
Nominal voltage	230 and 400 V~
Construction	Round, twin conductor with 360° screening, one cold lead
Output	300 W/m <sup>2</sup>
Max. permissible use temperature, powered	60 °C
Max. permissible use temperature, unpowered	90 °C
Cable thickness	7 mm
Deformation strength	>1500 N
Pulling strength	>300 N
Conductor insulation	FEP
Outer sheath	PVC
Screen	100% coverage; alu-foil; 0,5 mm <sup>2</sup> tinned copper drain wire
Cold lead	10 m or 30 m DTCL, 3G (1,5 or 2,5)mm <sup>2</sup>
Min. installation temperature	-5 °C
Bending Ø	6 x cable diameter
IP Class	IPX7

### Types: set DEVIsnow™ 300T - 230 V with cold lead 10 m

Item no.	Output @ 230V~	Dimensions (W x L)	Area	Resistance	Cold lead	EAN no.
83902030	288 W	0,5 x 2,0 m	1,0 m <sup>2</sup>	184 Ω	3 x 1,5 mm <sup>2</sup>	5703466187258
83902031	613 W	0,5 x 4,0 m	2,0 m <sup>2</sup>	86 Ω	3 x 1,5 mm <sup>2</sup>	5703466187265
83902032	1225 W	0,5 x 8,0 m	4,0 m <sup>2</sup>	43 Ω	3 x 1,5 mm <sup>2</sup>	5703466187272
83902033	1440 W	0,5 x 9,8 m	4,9 m <sup>2</sup>	38 Ω	3 x 1,5 mm <sup>2</sup>	5703466187289
83902034	1887 W	0,5 x 12,2 m	6,1 m <sup>2</sup>	28 Ω	3 x 1,5 mm <sup>2</sup>	5703466187296
83902035	2022 W	0,5 x 14,0 m	7,0 m <sup>2</sup>	26 Ω	3 x 1,5 mm <sup>2</sup>	5703466187302
83902036	2528 W	0,5 x 16,0 m	8,0 m <sup>2</sup>	21 Ω	3 x 1,5 mm <sup>2</sup>	5703466187319
83902037	3240 W	0,5 x 22,0 m	11,0 m <sup>2</sup>	16 Ω	3 x 2,5 mm <sup>2</sup>	5703466187326
83902038	3770 W	0,5 x 24,0 m	12,0 m <sup>2</sup>	14 Ω	3 x 2,5 mm <sup>2</sup>	5703466187333
83902039	410 W	0,75 x 1,8 m	1,4 m <sup>2</sup>	129 Ω	3 x 1,5 mm <sup>2</sup>	5703466187340
83902040	637 W	0,75 x 2,6 m	2,0 m <sup>2</sup>	83 Ω	3 x 1,5 mm <sup>2</sup>	5703466187357
83902041	1227 W	0,75 x 5,4 m	4,1 m <sup>2</sup>	43 Ω	3 x 1,5 mm <sup>2</sup>	5703466187364
83902042	1445 W	0,75 x 6,6 m	5,0 m <sup>2</sup>	36 Ω	3 x 1,5 mm <sup>2</sup>	5703466187371
83902043	2080 W	0,75 x 9,2 m	6,9 m <sup>2</sup>	25 Ω	3 x 1,5 mm <sup>2</sup>	5703466187388
83902044	2285 W	0,75 x 10,6 m	8,0 m <sup>2</sup>	23 Ω	3 x 1,5 mm <sup>2</sup>	5703466187395
83902045	3300 W	0,75 x 14,6 m	11 m <sup>2</sup>	16 Ω	3 x 2,5 mm <sup>2</sup>	5703466187401
83902046	3824 W	0,75 x 16,0 m	12,0 m <sup>2</sup>	14 Ω	3 x 2,5 mm <sup>2</sup>	5703466187418
83902047	750 W	1,00 x 3,0 m	3,0 m <sup>2</sup>	71 Ω	3 x 1,5 mm <sup>2</sup>	5703466187425
83902048	1907 W	1,00 x 6,2 m	6,2 m <sup>2</sup>	28 Ω	3 x 1,5 mm <sup>2</sup>	5703466187432
83902049	3874 W	1,00 x 12,0 m	12,0 m <sup>2</sup>	14 Ω	3 x 2,5 mm <sup>2</sup>	5703466187449

**Types: DEVIsnow™ 300T - 400 V with cold lead 10 m**

Item no.	Output @ 400 V~	Dimensions (W x L)	Area	Resistance	Cold lead	EAN no.
83902020	520 W	0,5 x 3,4 m	1,70 m <sup>2</sup>	308 Ω	3 x 1,5 mm <sup>2</sup>	5703466157657
83902023	1050 W	0,5 x 7,0 m	3,50 m <sup>2</sup>	152 Ω	3 x 1,5 mm <sup>2</sup>	5703466157664
83902026	1760 W	0,5 x 11,8 m	5,90 m <sup>2</sup>	91 Ω	3 x 1,5 mm <sup>2</sup>	5703466157671
83902029	2285 W	0,5 x 15,8 m	7,90 m <sup>2</sup>	70 Ω	3 x 1,5 mm <sup>2</sup>	5703466157688
83902050	700 W	0,75 x 3,2 m	2,40 m <sup>2</sup>	229 Ω	3 x 1,5 mm <sup>2</sup>	5703466157695
83902053	1050 W	0,75 x 4,8 m	3,60 m <sup>2</sup>	152 Ω	3 x 1,5 mm <sup>2</sup>	5703466157701
83902056	1750 W	0,75 x 8,0 m	6,00 m <sup>2</sup>	91 Ω	3 x 1,5 mm <sup>2</sup>	5703466157718
83902059	2630 W	0,75 x 11,0 m	8,25 m <sup>2</sup>	61 Ω	3 x 1,5 mm <sup>2</sup>	5703466157725
83902062	2890 W	0,75 x 13,0 m	9,75 m <sup>2</sup>	55 Ω	3 x 1,5 mm <sup>2</sup>	5703466157732
83902065	3625 W	0,75 x 16,0 m	12,00 m <sup>2</sup>	44 Ω	3 x 1,5 mm <sup>2</sup>	5703466157749
83902068	4270 W	0,75 x 19,4 m	14,55 m <sup>2</sup>	37 Ω	3 x 1,5 mm <sup>2</sup>	5703466157756
83902071	5750 W	0,75 x 25,4 m	19,05 m <sup>2</sup>	28 Ω	3 x 2,5 mm <sup>2</sup>	5703466157763
83902073	6300 W	0,75 x 28,2 m	21,15 m <sup>2</sup>	25 Ω	3 x 2,5 mm <sup>2</sup>	5703466161432
83902080	1750 W	1,00 x 6,0 m	6,0 m <sup>2</sup>	90 Ω	3 x 1,5 mm <sup>2</sup>	5703466157770
83902083	3675 W	1,00 x 12,0 m	12,0 m <sup>2</sup>	44 Ω	3 x 1,5 mm <sup>2</sup>	5703466157787
83902086	4250 W	1,00 x 14,8 m	14,8 m <sup>2</sup>	38 Ω	3 x 1,5 mm <sup>2</sup>	5703466157794
83902089	5840 W	1,00 x 19,0 m	19,0 m <sup>2</sup>	27 Ω	3 x 2,5 mm <sup>2</sup>	5703466157800

**Types: DEVIsnow™ 300T - 400 V with cold lead 30 m**

Item no.	Output @ 400 V~	Dimensions (W x L)	Area	Resistance	Cold lead	EAN no.
140F0618	520 W	0,5 x 3,4 m	1,70 m <sup>2</sup>	308 Ω	3 x 1,5 mm <sup>2</sup>	5703466229224
140F0619	1050 W	0,5 x 7,0 m	3,50 m <sup>2</sup>	152 Ω	3 x 1,5 mm <sup>2</sup>	5703466229231
140F0620	1760 W	0,5 x 11,8 m	5,90 m <sup>2</sup>	91 Ω	3 x 1,5 mm <sup>2</sup>	5703466229248
140F0621	2285 W	0,5 x 15,8 m	7,90 m <sup>2</sup>	70 Ω	3 x 1,5 mm <sup>2</sup>	5703466229255
140F0622	700 W	0,75 x 3,2 m	2,40 m <sup>2</sup>	229 Ω	3 x 1,5 mm <sup>2</sup>	5703466229262
140F0623	1050 W	0,75 x 4,8 m	3,60 m <sup>2</sup>	152 Ω	3 x 1,5 mm <sup>2</sup>	5703466229279
140F0624	1750 W	0,75 x 8,0 m	6,00 m <sup>2</sup>	91 Ω	3 x 1,5 mm <sup>2</sup>	5703466229286
140F0625	2630 W	0,75 x 11,0 m	8,25 m <sup>2</sup>	61 Ω	3 x 1,5 mm <sup>2</sup>	5703466229293
140F0626	2890 W	0,75 x 13,0 m	9,75 m <sup>2</sup>	55 Ω	3 x 1,5 mm <sup>2</sup>	5703466229309
140F0627	3625 W	0,75 x 16,0 m	12,00 m <sup>2</sup>	44 Ω	3 x 1,5 mm <sup>2</sup>	5703466229316
140F0628	4270 W	0,75 x 19,4 m	14,55 m <sup>2</sup>	37 Ω	3 x 1,5 mm <sup>2</sup>	5703466229323
140F0629	5750 W	0,75 x 25,4 m	19,05 m <sup>2</sup>	28 Ω	3 x 2,5 mm <sup>2</sup>	5703466229330
140F0630	6300 W	0,75 x 28,2 m	21,15 m <sup>2</sup>	25 Ω	3 x 2,5 mm <sup>2</sup>	5703466229347
140F0631	1750 W	1,00 x 6,0 m	6,0 m <sup>2</sup>	90 Ω	3 x 1,5 mm <sup>2</sup>	5703466229354
140F0632	3675 W	1,00 x 12,0 m	12,0 m <sup>2</sup>	44 Ω	3 x 1,5 mm <sup>2</sup>	5703466229361
140F0633	4250 W	1,00 x 14,8 m	14,8 m <sup>2</sup>	38 Ω	3 x 1,5 mm <sup>2</sup>	5703466229378
140F0634	5840 W	1,00 x 19,0 m	19,0 m <sup>2</sup>	27 Ω	3 x 2,5 mm <sup>2</sup>	5703466229385



## DEVIsnow™ Drum Goods

DEVIsnow™ heating cable on drum is an extremely high-quality, 360° fully screened twin conductor cable with a tough black PVC outer sheath (UV stable). Its round profile and robust construction ensures a fast, simple and safe installation on roofs, in gutters, down drain pipes and on the ground.

DEVIsnow™ heating cables should not be in direct contact with bitumen roofs.

To ensure a long life-time, all cables are minutely inspected including tests for Ohmic resistance, high voltage and material controls to ensure the quality. This means that we are proud to supply our extended DEVIwarranty™.

DEVIsnow™ can be customized for the specific project, depending on voltage, required output, length of heating cable and length of cold leads.

**⚠ Note:** It is the full responsibility of the installer/designer to use proper cold lead dimensioned for the purpose and assembly sets that establish sufficient mechanical strength, flammability resistance and water tightness - and to design the heating unit with correct output for the specific application to avoid overheating of the cable or building materials.

Benefits:	Type	Value
	<ul style="list-style-type: none"> <li>Fast and easy to install</li> <li>Multiple outdoor applications</li> <li>Safe and robust</li> <li>Long life-time</li> <li>Maximum protection</li> <li>UV stable</li> </ul>	Nominal voltage, max
Construction		Twin conductor with 360° screening
Output, max		30 W/m
Max. permissible use temperature, powered		60 °C
Max. permissible use temperature, unpowered		90 °C
Cable diameter		7 mm
Deformation strength		>1500 N
<b>Standard compliance:</b> <ul style="list-style-type: none"> <li>IEC60800:2009</li> </ul>	Pulling strength	>300 N
	Conductor insulation	FEP
	Outer sheath	UV protected PVC
	Screen	0,5 mm <sup>2</sup> Cu, 100% Alu-foil
	Min. installation temperature	-5 °C
	Bending Ø, min.	6 x cable diameter
	IP Class	IPX7
<b>Approvals:</b> 		

### Types

Item no.	Resistance	EAN no.
84805400	9,36 Ω/m	5703466146248
84805403	4,19 Ω/m	5703466146255
84805406	2,368 Ω/m	5703466146262
84805409	1,519 Ω/m	5703466146279
84805412	1,057 Ω/m	5703466146286
84805415	0,735 Ω/m	5703466146293
84805418	0,567 Ω/m	5703466146309
84805421	0,451 Ω/m	5703466146316
84805424	0,367 Ω/m	5703466146323
84805427	0,257 Ω/m	5703466146330
84805430	0,19 Ω/m	5703466146347
84805433	0,146 Ω/m	5703466146354
84805436	0,115 Ω/m	5703466146361
84805439	0,092 Ω/m	5703466146378
84805442	0,07 Ω/m	5703466146385
84805445	0,055 Ω/m	5703466146392

### Accessories

Item no.	Name	Description	EAN no.
18055249	<b>DEVIcrimp™ for DEVIsnow (DTCE)</b>	Connection kit for DEVIsnow™ (DTCE)	5703466199251
18055350	<b>DEVIcrimp™ ass/repair kit 2-cond. Cs2a/cs2b</b>	Connection kit for twin-conductor heating cable	5703466003381



## DEVIasphalt™ 30T

DEVIasphalt™ is an extremely high-quality, 360° fully screened twin conductor cable with a very robust outer sheath (UV stable), designed especially for embedding in mastic or asphalt concrete (road asphalt).

The cold lead has solid conductors ensuring fast installation with a clearly visible connection.

To ensure a long life-time, all cables are minutely inspected including tests for Ohmic resistance, high voltage and material controls to ensure the quality. This means that we are proud to supply our extended DEVIwarranty™.

### Benefits:

- Fast and easy to install
- Asphalt applications
- Very robust
- Long life-time
- Maximum protection
- UV stable
- PVC free

### Standard compliance:

- IEC60800:2009
- EN62395-1:2006

### Approvals:



Type	Value
Nominal voltage	400 V~
Construction	Twin conductor with 360° screening, one cold lead
Output	30 W/m
Max. permissible use temperature, powered	60 °C
Max. permissible use temperature, unpowered	85 °C
Max. short term temperature	240 °C
Cable thickness	7 mm
Deformation strength	>1500 N
Pulling strength	>300 N
Conductor insulation	FEP
Outer sheath	XLPO
Screen	1 mm <sup>2</sup> tinned Cu + aluminium foil
Cold lead	10 m DTWK 2 x 2,5 mm <sup>2</sup> with screen
Min. installation temperature	-5 °C
Bending Ø, min.	6 x cable diameter
IP Class	IPX7

### Types

Item no.	Output @ 400V~	Resistance	Length	EAN no.
83900200	267 W	599,3 Ω	8,5 m	5703466192856
83900201	520 W	307,7 Ω	17,5 m	5703466192863
83900202	1090 W	146,8 Ω	35,0 m	5703466192870
83900203	2160 W	74,1 Ω	70,0 m	5703466192887
83900204	3225 W	49,1 Ω	110,0 m	5703466192894
83900205	4295 W	37,3 Ω	145,0 m	5703466192900
83900206	4955 W	32,3 Ω	170,0 m	5703466192917
83900207	5770 W	27,7 Ω	190,0 m	5703466192924
83900208	6470 W	24,7 Ω	215,0 m	5703466192931





## DEVIasphalt™ 300T - 230 V DEVIasphalt™ 300T - 400 V

DEVIasphalt™ is an extremely high-quality, 360° fully screened twin conductor heating mat with a very robust outer sheath (UV stable), designed especially for embedding in mastic or asphalt concrete (road asphalt).

The cold lead has solid conductors ensuring fast installation with a clearly visible connection.

To ensure a long life-time, all cables are minutely inspected including tests for Ohmic resistance, high voltage and material controls to ensure the quality. This means that we are proud to supply our extended DEVIwarranty™.



### Benefits:

- Fast and easy to install
- Asphalt applications
- Very robust
- Long life-time
- Maximum protection
- UV stable
- PVC free

### Standard compliance:

- IEC60800:2009
- EN62395-1:2006

### Approvals:



Type	Value
Nominal voltage	230 and 400 V~
Construction	Twin conductor with 360° screening, one cold lead
Output	300 W/m <sup>2</sup>
Max. permissible use temperature, powered	60°C
Max. permissible use temperature, unpowered	85°C
Max. short term installation temperature	240°C
Cable thickness	7 mm
Deformation strength	>1500 N
Pulling strength	> 300 N
Conductor insulation	FEP
Outer sheath	XLPO
Screen	1 mm <sup>2</sup> tinned Cu + aluminium foil
Cold lead	10 m or 30 m, DTWK 2 x 2,5 mm <sup>2</sup> with screen
Min. installation temperature	-5°C
Bending Ø, min.	6 x cable diameter
IP Class	IPX7

### Types: DEVIasphalt™ 300T - 230 V with cold lead 10 m

Item no.	Output @ 230 V~	Heated area	Resistance	Dimensions (W x L)	EAN no.
140F0660	292 W	1.0 m <sup>2</sup>	181.0 Ω	0.5 x 2.0 m	5703466233184
140F0661	620 W	2.0 m <sup>2</sup>	85.1 Ω	0.5 x 4.0 m	5703466233191
140F0662	1208 W	4.1 m <sup>2</sup>	43.8 Ω	0.5 x 8.2 m	5703466233207
140F0663	1460 W	4.9 m <sup>2</sup>	36.2 Ω	0.5 x 9.8 m	5703466233214
140F0664	1883 W	6.2 m <sup>2</sup>	28.1 Ω	0.5 x 12.4 m	5703466233221
140F0665	2080 W	6.9 m <sup>2</sup>	25.4 Ω	0.5 x 13.8 m	5703466233238
140F0666	2471 W	8.3 m <sup>2</sup>	21.4 Ω	0.5 x 16.6 m	5703466233245
140F0667	3285 W	11.0 m <sup>2</sup>	16.1 Ω	0.5 x 22.0 m	5703466233252
140F0668	3700 W	12.4 m <sup>2</sup>	14.3 Ω	0.5 x 24.8 m	5703466233269

**Types: DEVlaspalt™ 300T - 400 V with cold lead 10 m**

Item no.	Output @ 400V~	Heated area	Resistance	Dimensions (W x L)	EAN no.
83900162	520 W	1,70 m <sup>2</sup>	307,7 Ω	0,5 x 3,4 m	5703466192689
83900163	1050 W	3,50 m <sup>2</sup>	152,3 Ω	0,5 x 7,0 m	5703466192696
83900164	1760 W	5,90 m <sup>2</sup>	90,9 Ω	0,5 x 11,8 m	5703466192702
83900165	2285 W	7,90 m <sup>2</sup>	70,0 Ω	0,5 x 15,8 m	5703466192719
83900166	700 W	2,40 m <sup>2</sup>	228,6 Ω	0,75 x 3,2 m	5703466192726
83900167	1050 W	3,60 m <sup>2</sup>	152,3 Ω	0,75 x 4,8 m	5703466192733
83900168	1750 W	6,00 m <sup>2</sup>	90,9 Ω	0,75 x 8,0 m	5703466192740
83900169	2630 W	8,25 m <sup>2</sup>	60,8 Ω	0,75 x 11,0 m	5703466192757
83900170	2890 W	9,75 m <sup>2</sup>	55,4 Ω	0,75 x 13,0 m	5703466192764
83900171	3625 W	12,00 m <sup>2</sup>	44,1 Ω	0,75 x 16,0 m	5703466192771
83900172	4270 W	14,55 m <sup>2</sup>	37,5 Ω	0,75 x 19,4 m	5703466192788
83900173	5750 W	19,05 m <sup>2</sup>	27,8 Ω	0,75 x 25,4 m	5703466192795
83900174	6570 W	21,15 m <sup>2</sup>	24,4 Ω	0,75 x 28,2 m	5703466192801
83900175	1770 W	6,00 m <sup>2</sup>	90,4 Ω	1,00 x 6,0 m	5703466192818
83900176	3675 W	12,00 m <sup>2</sup>	43,5 Ω	1,00 x 12,0 m	5703466192825
83900177	4250 W	14,80 m <sup>2</sup>	37,6 Ω	1,00 x 14,8 m	5703466192832
83900178	5840 W	19,00 m <sup>2</sup>	27,4 Ω	1,00 x 19,0 m	5703466192849

**Types: DEVlaspalt™ 300T - 400 V with cold lead 30 m**

Item no.	Output @ 400V~	Heated area	Resistance	Dimensions (W x L)	EAN no.
140F0601	525 W	1,70 m <sup>2</sup>	307,7 Ω	0,5 x 3,4 m	5703466229057
140F0602	1080 W	3,50 m <sup>2</sup>	152,3 Ω	0,5 x 7,0 m	5703466229064
140F0603	1765 W	5,90 m <sup>2</sup>	90,9 Ω	0,5 x 11,8 m	5703466229071
140F0604	2300 W	7,90 m <sup>2</sup>	70,0 Ω	0,5 x 15,8 m	5703466229088
140F0605	700 W	2,40 m <sup>2</sup>	228,6 Ω	0,75 x 3,2 m	5703466229095
140F0606	1050 W	3,60 m <sup>2</sup>	152,3 Ω	0,75 x 4,8 m	5703466229101
140F0607	1740 W	6,00 m <sup>2</sup>	90,9 Ω	0,75 x 8,0 m	5703466229118
140F0608	2610 W	8,25 m <sup>2</sup>	60,8 Ω	0,75 x 11,0 m	5703466229125
140F0609	2865 W	9,75 m <sup>2</sup>	55,4 Ω	0,75 x 13,0 m	5703466229132
140F0610	3625 W	12,00 m <sup>2</sup>	44,1 Ω	0,75 x 16,0 m	5703466229149
140F0611	4225 W	14,55 m <sup>2</sup>	37,5 Ω	0,75 x 19,4 m	5703466229156
140F0612	5750 W	19,05 m <sup>2</sup>	27,8 Ω	0,75 x 25,4 m	5703466229163
140F0613	6570 W	21,15 m <sup>2</sup>	24,4 Ω	0,75 x 28,2 m	5703466229170
140F0614	1770 W	6,00 m <sup>2</sup>	90,4 Ω	1,00 x 6,0 m	5703466229187
140F0615	3690 W	12,00 m <sup>2</sup>	43,5 Ω	1,00 x 12,0 m	5703466229194
140F0616	4150 W	14,80 m <sup>2</sup>	37,6 Ω	1,00 x 14,8 m	5703466229200
140F0617	5675 W	19,00 m <sup>2</sup>	27,4 Ω	1,00 x 19,0 m	5703466229217

**Accessories**

Item no.	Type	EAN no.
18055355	DEVlcrimp repair kit 2-cond. DEVlaspalt	5703466195192



## DEVIpipeguard™ 10 (B), DEVIpipeguard™ 25 (B), DEVIpipeguard™ 33 (B)

The DEVIpipeguard™ is a self-limiting heating cable that is mainly used for frost protection of pipes. The self-limiting capability of the cable ensures that the output of the cable increase or decrease according to ambient temperature. The cable will maintain its functionality even when shortened.

The outer sheath is highly resistant to harsh environmental conditions and corrosion and it also serves as a protection against mechanical influences. All self-limiting heating cables must be over-temperature protected by a thermostat, as the output will decrease, but never be zero.

The cables are not approved for use in drinking water.

Benefits:	Type	Value
<ul style="list-style-type: none"> <li>• Cut to length on site</li> <li>• PVC free</li> </ul>	Nominal voltage	230 V AC
	Nominal output (min-max): DEVIpipeguard™ 10 DEVIpipeguard™ 25 DEVIpipeguard™ 33	10 W/m @ 10 °C (10-15 W/m @ 10 °C) 25 W/m @ 10 °C (25-32,5 W/m @ 10 °C) 33 W/m @ 10 °C (30-39 W/m @ 10 °C)
<b>Standard compliance:</b> <ul style="list-style-type: none"> <li>• DIN VDE 0254: 1994-06</li> </ul>	Maximum permissible use temperature	65 °C, powered 85 °C, unpowered (1000 hours cumulative)
	Minimum installation temperature	-5 °C
<b>Approvals:</b> 	Cable dimensions	11,8 mm x 5,5 mm
	Outer sheath: DEVIpipeguard™ 10 DEVIpipeguard™ 25 DEVIpipeguard™ 33	Blue, TPE Red, TPE Brown, TPE
	Screen	Tinned copper braid
	Minimum braid coverage	70%
	Maximum resistance protective braid	18,2 Ω/Km
	Bending diameter, min.	50 mm (Ø to the inside of the cable)
	IP Class	IPX7

### Types DEVIpipeguard™ 10

Item no.	Type	Length	Min-max length per drum	Number of length allowed on drum, max	Output tolerance, min-max	EAN no.
98300708	DEVIpipeguard™ 10	Drum, 100 m	100 m	1	10-15 W/m @ 10 °C	5703466177174
98300700	DEVIpipeguard™ 10	Drum, 270 m	270-330 m	1	10-15 W/m @ 10 °C	5703435005552
98300707	DEVIpipeguard™ 10	Drum, 720 m	720-880 m	2, between 100 & 880 m	10-15 W/m @ 10 °C	5703466096598
98300709	DEVIpipeguard™ 10	Cut-to-length	1 m	-	10-15 W/m @ 10 °C	5703466193358

### Types DEVIpipeguard™ 25

Item no.	Type	Length	Min-max length per drum	Number of length allowed on drum, max	Output tolerance, min-max	EAN no.
98300761	DEVIpipeguard™ 25	Drum, 100 m	100 m	1	25-32,5 W/m @ 10 °C	5703466177181
98300759	DEVIpipeguard™ 25	Drum, 270 m	270-330 m	1	25-32,5 W/m @ 10 °C	5703435005569
98300758	DEVIpipeguard™ 25	Drum, 720 m	720-880 m	2, between 100 & 880 m	25-32,5 W/m @ 10 °C	5703466096604
98300763	DEVIpipeguard™ 25	Cut-to-length	1 m	-	25-32,5 W/m @ 10 °C	5703466193365

### Types DEVIpipeguard™ 33

Item no.	Type	Length	Min-max length per drum	Number of length allowed on drum, max	Output tolerance, min-max	EAN no.
98300764	DEVIpipeguard™ 33	305 m, drum	305 m	1	30-39 W/m @ 10 °C	5703466196120
98300672	DEVIpipeguard™ 33	Cut-to-length	1 m	-	30-39 W/m @ 10 °C	5703466193341

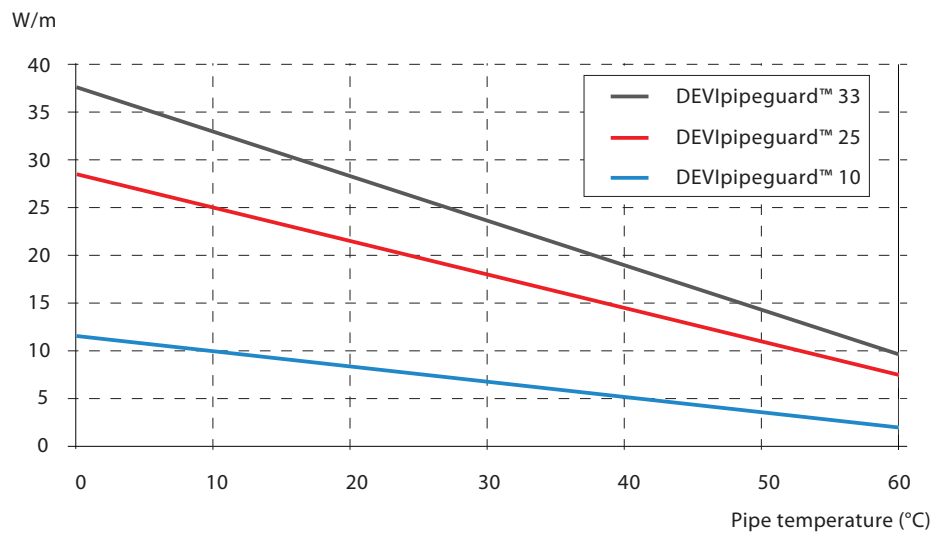
RCD of 30 mA is required, max. 500 m of self-limiting heating cable per RCD.



**Maximum heating circuit length on a pipe, with circuit breaker with C-characteristic**

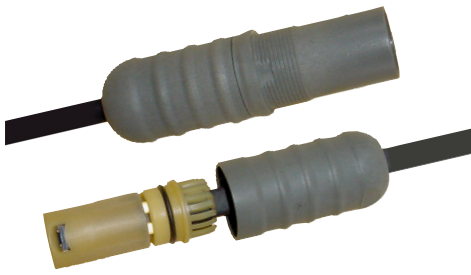
Switch on temperature	DEVipeguard™ 10				DEVipeguard™ 25				DEVipeguard™ 33			
	16 A	20 A	25 A	32 A	16 A	20 A	25 A	32 A	16 A	20 A	25 A	32 A
10 °C	205 m	205 m	205 m	205 m	88 m	117 m	120 m	126 m	70 m	90 m	98 m	108 m
-15 °C	139 m	186 m	190 m	195 m	58 m	75 m	95 m	117 m	49 m	64 m	80 m	95 m
-30 °C	120 m	150 m	170 m	195 m	45 m	64 m	82 m	100 m	43 m	52 m	65 m	82 m

**Heating power**



Output of heating cable installed and measured on a pipe.

## DEVIconnecto



The DEVIconnecto programme gives you different solutions for easy and safe connection of DEVI self-limiting heating cables - DEVIceguard™ (B), DEVIpipeguard™ (B), DEVIhotwatt™ (B).

Using DEVIconnecto to wire up a heating circuit is fast, requiring only a knife and a diagonal cutter.

### Benefits:

- Cost savings by reduced assembly time
- Great reliability of assembly simplicity
- Safe electrical contacting by precise clamp cutting technology

### Approvals:

- VDE/CE

Type	Value
Nominal voltage, max.	250 V~
Max. current	16 A
Ambient temperature	-25 °C to +60 °C
On request	-25 °C to +85 °C
IP class	IP 66

### Types

Item no.	Product name	Description	EAN no.
19808360	DEVIconnecto B-A	Connection power supply	5703466103067
19808361	DEVIconnecto B-C	Heating cable connection	5703466103074
19808362	DEVIconnecto B-E	End termination	5703466103081
19808363	DEVIconnecto B-S	Connection and end termination	5703466103098
19808364	DEVIconnecto B-T	Y-junction + end termination	5703466103104
19808365	DEVIconnecto B-TE2	Y-junction + 2 end terminations	5703466103111
19808366	DEVIconnecto B-TE3	Y-junction + 3 end terminations	5703466103128
19808367	DEVIconnecto B-X	X-junction + 2 end terminations	5703466103135
19808390	DEVIconnecto Bracket	Bracket and 6 cable ties	5703466125021

**ATTENTION.** DEVIconnecto may not be put in the gutters when used with DEVIceguard. It must be installed in a dry place.

**Selection chart. DEVIconnecto for heating cables with braiding: DEVIpipeguard™ (B), DEVIhottwatt™ (B) and DEVIceguard™ (B)**

Illustration	Name	Description
	DEVIconnecto B-A	Heating cable connection with power cable 1,5 m without end terminal
	DEVIconnecto B-C	Heating cable slice/extension for connecting two heating cables
	DEVIconnecto B-E	Heating cable end terminal
	DEVIconnecto B-S	Heating cable connection with 1,5 m power cable and end terminal
	DEVIconnecto B-T	Heating cable T-branch as a T-junction for three heating cables and 1 end terminal
	DEVIconnecto B-TE2	Heating cable double connection with 1,5 m power cable and 2 end terminals
	DEVIconnecto B-TE3	Heating cable T-branch with 1,5 m power cable and 3 end terminals
	DEVIconnecto B-X	Heating cable X-branch for 4 heating cables incl. 2 end terminals
	DEVIconnecto Bracket	For installation of the DEVIconnecto connection outside the insulation

**DEVIconnecto system installation steps**

1. Cut the heating cable straight
2. Push the heating cable in
3. Twist until closed



DEVIconnecto B-C



DEVIconnecto B-TE2



DEVIconnecto B-X



## DEVIpipeguard™ 10 (T), DEVIpipeguard™ 25 (T), DEVIpipeguard™ 33 (T)

The DEVIpipeguard™ is a self-limiting heating cable that is mainly used for frost protection of pipes. The self-limiting capability of the cable ensures that the output of the cable increase or decrease according to ambient temperature. The cable will maintain its functionality even when shortened.

The outer sheath is highly resistant to harsh environmental conditions and corrosion and it also serves as a protection against mechanical influences. All self-limiting heating cables must be over-temperature protected by a thermostat, as the output will decrease, but never be zero.

The cables are not approved for use in drinking water.

<b>Benefits:</b> <ul style="list-style-type: none"> <li>• Cut to length on site</li> <li>• PVC free</li> </ul> <b>Standard compliance:</b> <ul style="list-style-type: none"> <li>• EN 62395-1: 2013</li> </ul> <b>Approvals:</b>	Type	Value
	Nominal voltage	230 V AC
	Nominal output: DEVIpipeguard™ 10 DEVIpipeguard™ 25 DEVIpipeguard™ 33	10 W/m @ 10 °C 25 W/m @ 10 °C 33 W/m @ 10 °C
	Maximum permissible use temperature	65 °C, powered 85 °C, unpowered
	Minimum installation temperature	-5 °C
	Cable dimensions	13,6 × 5,8 mm
	Outer sheath: DEVIpipeguard™ 10 DEVIpipeguard™ 25 DEVIpipeguard™ 33	Blue, TPE Red, TPE Grey, TPE
	Screen	Tinned copper braid
	Minimum braid coverage	70%
	Maximum resistance protective braid	18,2 Ω/Km
	Bending Ø, min.	64 mm (Ø to the inside of the tape)
	IP Class	IPX7

### Types DEVIpipeguard™ 10

Item no.	Type	Length	Permissible length	Output tolerance, min-max	EAN no.
98300863	DEVIpipeguard™ 10	Drum, 100 m	-10% to +10% (actual length on each reel)	9,8-14,7 W/m @ 10 °C	5703466213513
98300864	DEVIpipeguard™ 10	Drum, 250 m		9,8-14,7 W/m @ 10 °C	5703466213520
98300865	DEVIpipeguard™ 10	Drum, 750 m		9,8-14,7 W/m @ 10 °C	5703466213537
98300845	DEVIpipeguard™ 10	Cut-to-length (up to 750 m)	-	9,8-14,7 W/m @ 10 °C	5703466213933

### Types DEVIpipeguard™ 25

Item no.	Type	Length	Permissible length	Output tolerance, min-max	EAN no.
98300866	DEVIpipeguard™ 25	Drum, 100 m	-10% to +10% (actual length on each reel)	23,6-32,8 W/m @ 10 °C	5703466213544
98300867	DEVIpipeguard™ 25	Drum, 250 m		23,6-32,8 W/m @ 10 °C	5703466213551
98300868	DEVIpipeguard™ 25	Drum, 750 m		23,6-32,8 W/m @ 10 °C	5703466213568
98300846	DEVIpipeguard™ 25	Cut-to-length (up to 750 m)	-	23,6-32,8 W/m @ 10 °C	5703466213940

### Types DEVIpipeguard™ 33

Item no.	Type	Length	Permissible length	Output tolerance, min-max	EAN no.
98300869	DEVIpipeguard™ 33	Drum, 250 m	-10% to +10% (actual length on each reel)	32,0-39,7 W/m @ 10 °C	5703466213575
98300847	DEVIpipeguard™ 33	Cut-to-length (up to 250 m)	-	32,0-39,7 W/m @ 10 °C	5703466213957

RCD of 30 mA is required, max. 500 m of self-limiting heating cable per RCD.

### DEVipeguard™ 10 (T) heating cable maximum length

Start-Up Temp. (°C)	Breaker size B Type (C Type)				
	10 A (8 Max)	16 A (12,8 Max)	20 A (16 Max)	25 A (20 Max)	32A (25,6 Max)
-40	80	127	159	199	226
-30	87	140	175	219	226
-20	97	156	195	226	226
-10	110	176	220	226	226
0	119	191	226	226	226
10	119	191	226	226	226

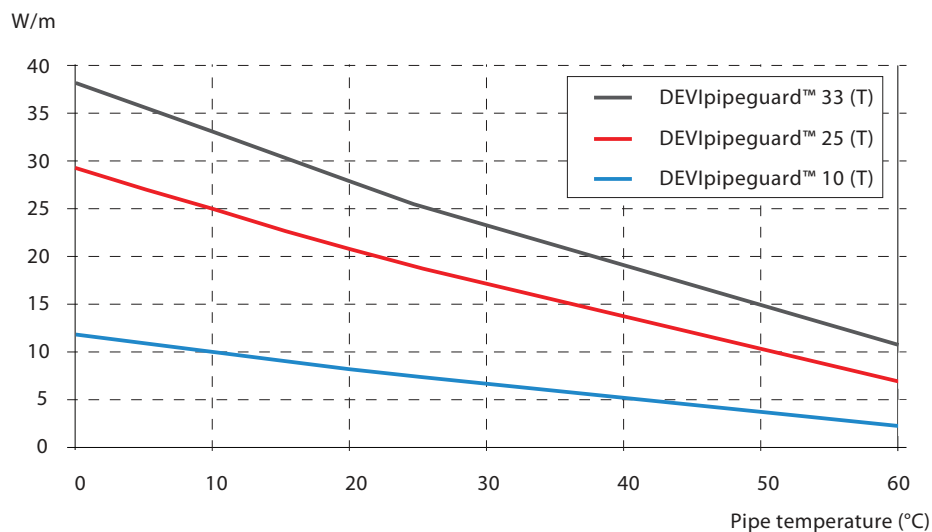
### DEVipeguard™ 25 (T) heating cable maximum length

Start-Up Temp. (°C)	Breaker size B Type (C Type)				
	10 A (8 Max)	16 A (12,8 Max)	20 A (16 Max)	25 A (20 Max)	32A (25,6 Max)
-40	38	61	76	95	122
-30	42	67	84	105	134
-20	46	74	93	116	146
-10	52	84	105	131	146
0	58	93	116	146	146
10	58	93	116	146	146

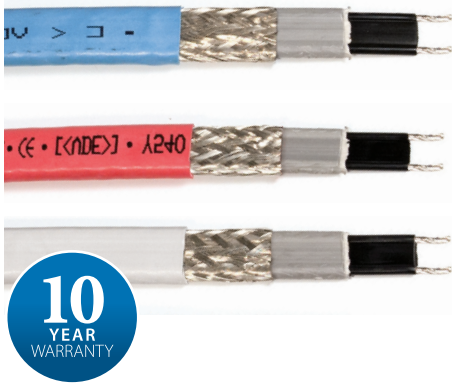
### DEVipeguard™ 33 (T) heating cable maximum length

Start-Up Temp. (°C)	Breaker size B Type (C Type)				
	10 A (8 Max)	16 A (12,8 Max)	20 A (16 Max)	25 A (20 Max)	32A (25,6 Max)
-40	23	37	47	58	75
-30	25	41	51	64	82
-20	28	45	57	71	91
-10	32	51	64	81	103
0	36	58	73	91	117
10	42	67	84	105	120

### Heating power



Output of heating cable installed and measured on a pipe.



## DEVipeguard™ 10 LSZH (T), COMING SOON

## DEVipeguard™ 25 LSZH (T),

## DEVipeguard™ 33 LSZH (T)

The DEVipeguard™ LSZH (T) is a halogen free self-limiting heating cable that is mainly used for frost protection of pipes. The self-limiting capability of the cable ensures that the output of the cable increase or decrease according to ambient temperature. The cable will maintain its functionality even when shortened.

The outer sheath is highly resistant to harsh environmental conditions and corrosion and it also serves as a protection against mechanical influences. All self-limiting heating cables must be over-temperature protected by a thermostat, as the output will decrease, but never be zero.

The cables are not approved for use in drinking water.

Benefits:	Type	Value
<ul style="list-style-type: none"> <li>• Cut to length on site</li> <li>• PVC free</li> <li>• Halogen free</li> </ul>	Nominal voltage	230 V AC
	Nominal output:	
	DEVipeguard™ 10 LSZH (T)	10 W/m @ 10 °C
<b>Standard compliance:</b> <ul style="list-style-type: none"> <li>• EN 62395-1: 2013</li> </ul>	DEVipeguard™ 25 LSZH (T)	25 W/m @ 10 °C
	DEVipeguard™ 33 LSZH (T)	33 W/m @ 10 °C
	Maximum permissible use temperature	65 °C, powered 85 °C, unpowered
<b>Approvals:</b> 	Minimum installation temperature	-5 °C
	Cable dimensions	13,6 × 5,8 mm
	Outer sheath:	
	DEVipeguard™ 10 LSZH (T)	Blue, TPE
	DEVipeguard™ 25 LSZH (T)	Red, TPE
	DEVipeguard™ 33 LSZH (T)	Grey, TPE
	Screen	Tinned copper braid
	Minimum braid coverage	70%
	Maximum resistance protective braid	18,2 Ω/Km
	Bending Ø, min.	64 mm (Ø to the inside of the tape)
	IP Class	IPX7

### Types DEVipeguard™ 10 LSZH (T)

Item no.	Length	Min-max length per drum	Output tolerance, min-max	Number of length allowed on drum, max	EAN no.
98301063	Drum, 100 m	90-110 m	9,8-14,7 W/m @ 10 °C	1	5703466249604
98301064	Drum, 250 m	250 m	9,8-14,7 W/m @ 10 °C	1	5703466249611
98301065	Drum, 750 m	675-825 m	9,8-14,7 W/m @ 10 °C	3	5703466249628
98301071	Cut-to-length (up to 750 m)	-	9,8-14,7 W/m @ 10 °C	-	5703466249697

### Types DEVipeguard™ 25 LSZH (T)

Item no.	Length	Min-max length per drum	Output tolerance, min-max	Number of length allowed on drum, max	EAN no.
98301066	Drum, 100 m	90-110 m	23,6-32,8 W/m @ 10 °C	1	5703466249635
98301067	Drum, 250 m	250 m	23,6-32,8 W/m @ 10 °C	1	5703466249642
98301068	Drum, 750 m	675-825 m	23,6-32,8 W/m @ 10 °C	3	5703466249659
98301072	Cut-to-length (up to 750 m)	-	23,6-32,8 W/m @ 10 °C	-	5703466249703

### Types DEVipeguard™ 33 LSZH (T)

Item no.	Length	Min-max length per drum	Output tolerance, min-max	Number of length allowed on drum, max	EAN no.
98301069	Drum, 250 m	250 m	32,0-39,7 W/m @ 10 °C	1	5703466249666
98301073	Cut-to-length (up to 250 m)	-	32,0-39,7 W/m @ 10 °C	-	5703466249710

RCD of 30 mA is required, max. 500 m of self-limiting heating cable per RCD.

### DEVipeguard™ 10 LSZH (T) heating cable maximum length

Start-Up Temp. (°C)	Breaker size B Type (C Type)				
	10 A (8 Max)	16 A (12,8 Max)	20 A (16 Max)	25 A (20 Max)	32A (25,6 Max)
-40	80	127	159	199	226
-30	87	140	175	219	226
-20	97	156	195	226	226
-10	110	176	220	226	226
0	119	191	226	226	226
10	119	191	226	226	226

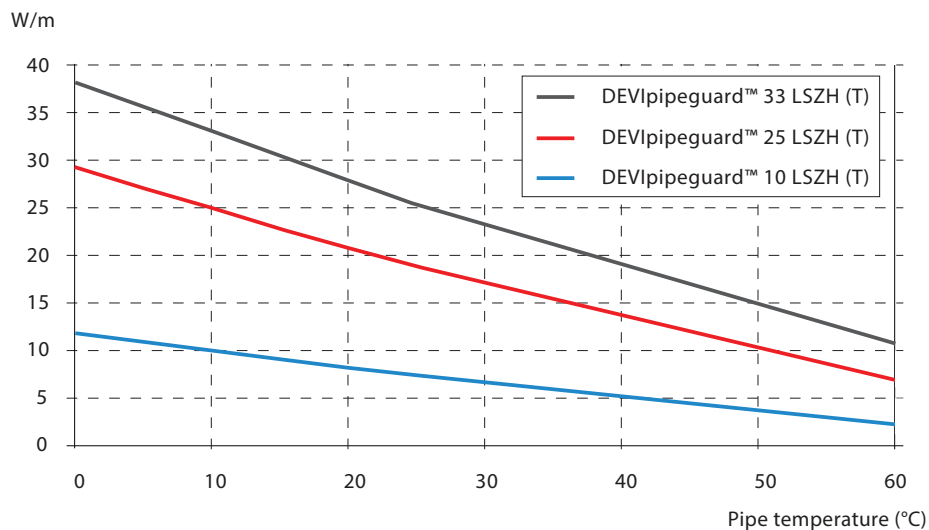
### DEVipeguard™ 25 LSZH (T) heating cable maximum length

Start-Up Temp. (°C)	Breaker size B Type (C Type)				
	10 A (8 Max)	16 A (12,8 Max)	20 A (16 Max)	25 A (20 Max)	32A (25,6 Max)
-40	38	61	76	95	122
-30	42	67	84	105	134
-20	46	74	93	116	146
-10	52	84	105	131	146
0	58	93	116	146	146
10	58	93	116	146	146

### DEVipeguard™ 33 LSZH (T) heating cable maximum length

Start-Up Temp. (°C)	Breaker size B Type (C Type)				
	10 A (8 Max)	16 A (12,8 Max)	20 A (16 Max)	25 A (20 Max)	32A (25,6 Max)
-40	23	37	47	58	75
-30	25	41	51	64	82
-20	28	45	57	71	91
-10	32	51	64	81	103
0	36	58	73	91	117
10	42	67	84	105	120

### Heating power



Output of heating cable installed and measured on a pipe.

## DEVI EasyConnect



DEVI EasyConnect is a system that enables you to connect your self-limiting heating cables - DEVlceguard™ (T), DEVlpipeguard™ (T), DEVlpipeguard™ LSZH (T) and modify your heat tracing circuit in 1 click.

You can use the EasyConnect indoors as well as outdoors. The connectors are IP 68 rated by VDE and CE marked. This 3 pole Connector is rated for 240 Volt and 20 Amps and can be used within a temperature range of -40° to 100°C.

The modular design allows a variety of combinations of the connections. The system is compatible with DEVlpipeguard™ (T), DEVlpipeguard™ LSZH (T) and DEVlceguard™ (T).

### Benefits:

- Easy to install
- Cut to length on site
- High temperature cable

### Standard compliance:

- DIN VDE 0606 T200
- DIN EN 61984 (VDE 0627)
- VDE 0110 IEC 60999
- LR Type Approval System

### Approvals:



Connection sets	
Type	Value
Nominal voltage, max.	250 V~
Max. current	16 A
Max. permissible use temperature	100 °C
Min. permissible use temperature	-40 °C
Power cable	3 x 2,5 mm <sup>2</sup>
Outer sheath	thermoplastic, PA66
Protection class	IP68 (2 hours in water 3 meters deep)
Seal	NBR (Nitrile Butadiene Rubber)
Waranty	5 years
Junction box (EC-JB4)	
Type	Value
Operation voltage, max.	250 V~
Max. current	16 A
Max. permissible use temperature	70 °C
Min. permissible use temperature	-20 °C
Outer sheath	PS (polystyrene)
Protection class	IP65
Waranty	5 years

### Types

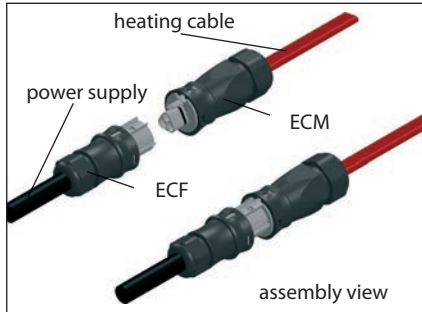
Item no.	Type	Resistance	EAN no.
98300870	<b>DEVI EasyConnect EC-1</b>	Power supply connection set	5703466214503
98300875	<b>DEVI EasyConnect EC-2</b>	Power supply connection set for 2 cables	5703466214558
98300876	<b>DEVI EasyConnect EC-3</b>	Power supply connection set for 3 cables	5703466214565
98300872	<b>DEVI EasyConnect EC-ETK</b>	End plug set	5703466214527
98300873	<b>DEVI EasyConnect EC-1+ETK</b>	Power supply connection set with an end plug	5703466214534
98300871	<b>DEVI EasyConnect EC-T1</b>	Connection set for 2 heating cables	5703466214510
98300874	<b>DEVI EasyConnect EC-T2</b>	Set for heating cable branching – 1 to 2	5703466214541
98300877	<b>DEVI EasyConnect EC-JB4</b>	Junction box for connecting 4 heating cables - 1 to 4	5703466214572



**DEVI EasyConnect**

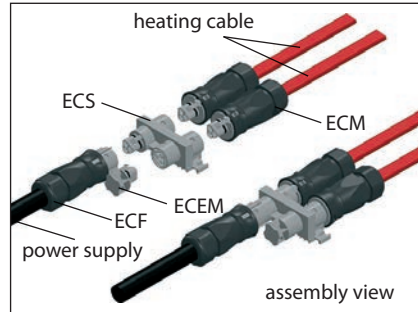
**EC-1 (98300870).**

Power supply connection set



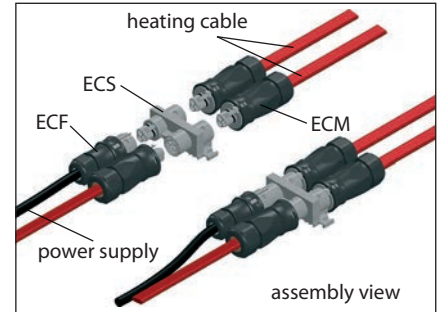
**EC-2 (98300875).**

Power supply connection set for 2 cables



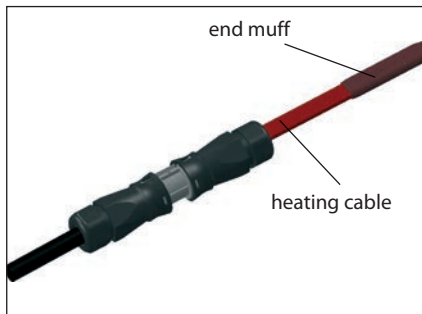
**EC-3 (98300876).**

Power supply connection set for 3 cables



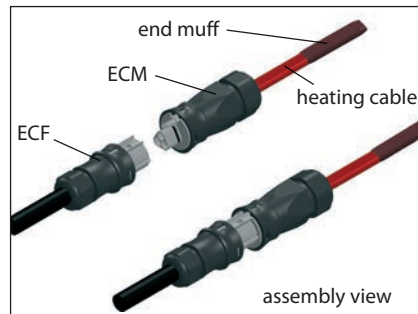
**EC-ETK (98300872).**

End plug set



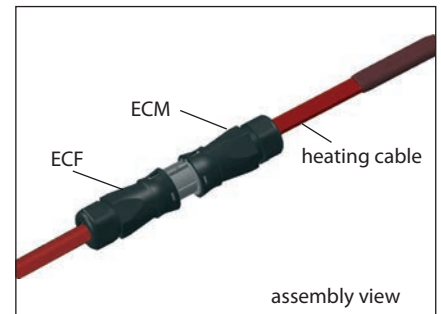
**EC-1 + ETK (98300873).**

Power supply connection set with an end plug



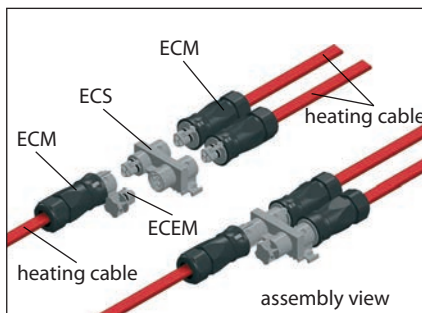
**EC-T1 (98300871).**

Connection set for heating to heating cable.

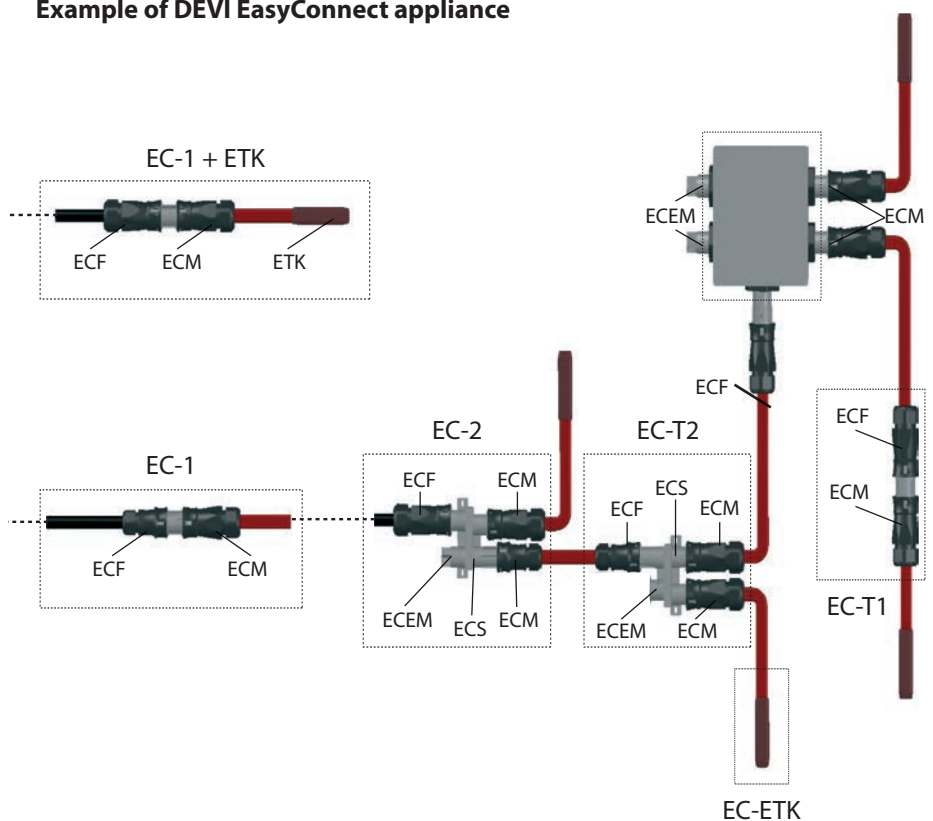


**EC-T2 (98300874).**

Set for heating cable branching - 1 to 2

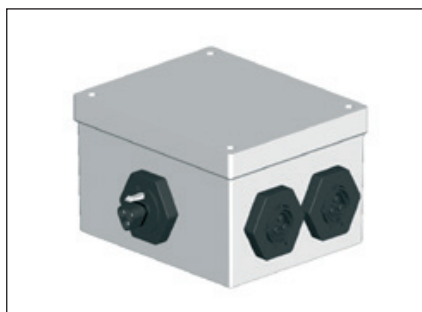


**Example of DEVI EasyConnect appliance**



**EC-JB4 (98300877).**

Junction box for connecting 4 heating cables - 1 to 4



ECF - socket outlet (Female), ECM - socket plug (Male),  
ECEM - socket plug cover(Male), ECS - distribution block.



## DEVIpipeguard™ 30 Industry (PT-30), DEVIpipeguard™ 60 Industry (PT-60)

DEVIpipeguard™ Industry is a self-limiting heating cable that is mainly used for frost protection of pipes and for temperature maintenance in applications up to 120 °C powered or 190 °C unpowered cable.

The cable allows steam cleaning in pipes. The heating element, the insulation and the outer jacket of DEVIpipeguard™ Industry are made of fluoropolymers.

Fluoropolymer outer jacket offers increased protection against chemicals (oil and fuel) and abrasion.

A temperature-dependent resistance element between two parallel-guided copper conductors regulates and limits the heat output of the heating cable. This power setting takes place at every point of the heating cable, according to the ambient temperature prevailing there.

If the temperature rises, the power of the cable is reduced. This self-limiting prevents overheating of the cable, even if it is overlaid. The heating cable can be cut off at desired length by the parallel current supply. This simplifies planning and installation. All self-limiting heating cables must be over-temperature protected by a thermostat, as the output will decrease, but never be zero.

The installation of a thermostat is recommended.

The cable is not approved for use in drinking water.

### Benefits:

- Cut to length on site
- PVC free

### Standard compliance:

- VDE E 0254: 94

### Approvals:



Type	Value
Nominal voltage	230 V AC (max. 254 V AC)
Nominal output (min-max): DEVIpipeguard™ 30 Industry DEVIpipeguard™ 60 Industry	30 W/m @ 10 °C (30-39 W/m @ 10 °C) 60 W/m @ 10 °C (54-72 W/m @ 10 °C)
Maximum permissible use temperature	120 °C, powered 190 °C, unpowered
Temperature rating conform IEC 60079-30	DEVIpipeguard™ 30 Industry – T3 (max 200°C) DEVIpipeguard™ 60 Industry – T2 (max 300°C)
Minimum installation and switched on temperature	-60 °C
Cable dimensions	11,8 x 5,8 mm
Outer sheath	Red, Fluoropolymer
Minimum braid coverage	70 %
Maximum resistance protective braid	18,2 Ω/Km
Bending Ø, min.	50 mm (Ø to the inside of the tape)
IP Class	IPX7

### Types

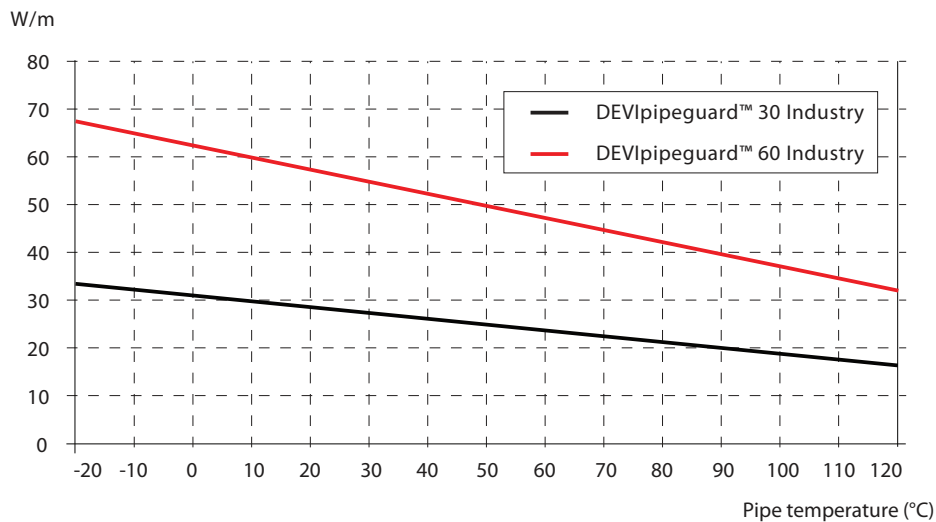
Item no.	Type	Length	Min-max length per drum	Number of length allowed on drum, max	EAN no.
00109025	DEVIpipeguard™ 30 Industry	Drum, 270 m	270-330 m	1	5703466195673
98300673	DEVIpipeguard™ 30 Industry	Cut-to-length	1 m	-	5703466197257
00109027	DEVIpipeguard™ 60 Industry	Drum, 270 m	270-330 m	1	5703466163498
98300674	DEVIpipeguard™ 60 Industry	Cut-to-length	1 m	-	5703466197264

### Maximum heating circuit length on a pipe, with circuit breaker with C-characteristic

Switch on temperature	DEVipeguard™ 30 Industry				DEVipeguard™ 60 Industry			
	16 A	20 A	25 A	32 A	16 A	20 A	25 A	32 A
10 °C	85 m	114 m	114 m	114 m	50 m	64 m	64 m	64 m
-25 °C	69 m	92 m	100 m	114 m	38 m	52 m	58 m	64 m
-60 °C	65 m	86 m	92 m	110 m	35 m	48 m	52 m	60 m

### Power output characteristic

Output of heating cable installed and measured on a pipe.



### Accessories

Item no.	EAN no.	Type	Description	Image
00109007	5703466167397	<b>Connection kit for DEVIpipeguard 30/60 Industry (PT-30/60) heating cables</b>	With clamping block for the connection of cold lead and heating cable, shrink end-cap, shrink tubes, bitumen gaskets and ferrules.	
00109026	5703466135778	<b>Connection kit for DEVIpipeguard 30/60 Industry (PT-30/60) heating cables</b>	For mounting in connection box with screw connections. With cable gland M20x1,5 with locknut, shrink end-cap, shrink tubes, bitumen gasket and ferrules.	
19400167	5703435002858	<b>Polyester box ABSC for DEVliceguard™ and DEVipeguard™</b>	For SLC (DEVliceguard, DEVipeguard)	
19405851	5703435002964	<b>Bracket</b>	Fitting for connection of housing (19400167) to pipes	
11010410	5703435031001	<b>Insulation introduction</b>	With mounting plate M20 60x60x1 mm AISI304; Cable gland U17 M20x1,5; Cable gland M25	
19805076	5703435003053	<b>Tape aluminium 38 mm x 50 m</b>	Self-adhesive, with 2-colour warning label, max. 75 °C	



## DEVIceguard™ 18 (B)

The DEVIceguard™ is a self-limiting parallel heating cable that is used for ice and snow melting on roofs and in gutters and downpipes.

DEVIceguard™ heating cables should not be in direct contact with bitumen roofs.

The self-limiting capability of the cable ensures that the output of the cable increase or decrease according to ambient temperature.

The heating cable is flexible and easy to install as it can be cut to length at site and installed directly on to the roof and gutter system. All self-limiting heating cables must be over-temperature protected by a thermostat, as the output will decrease, but never be zero, and be protected by a RCD with a maximum trip current of 30 mA.

### Benefits:

- Easy to install
- Cut to length on site

### Standard compliance:

- SS 4242411

### Approvals:

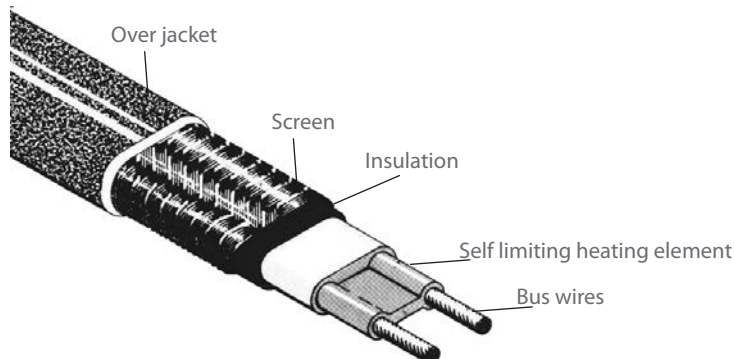


Type	Value
Nominal voltage	230 V AC
Nominal output (min-max)	18 W/m @ 10 °C
Output tolerance (min-max)	15,4-23,1 W/m @ 0 °C
Maximum permissible use temperature	65 °C, powered 85 °C, unpowered
Minimum installation temperature	-5 °C
Cable dimensions	11,8 mm × 5,8 mm
Outer sheath	UV protected, black TPE
Minimum braid coverage	80%
Maximum resistance protective braid	14,8 Ω/Km
Bending Ø, min.	50 mm (Ø to the inside of the cable)
IP Class	IPX7

### Types

Item no.	Type	Length	Min-max length per drum	Number of length allowed on drum, max	EAN no.
98300810	DEVIceguard™ 18	Drum, 100 m	100 m	1	5703466177198
98300809	DEVIceguard™ 18	Drum, 270 m	270-330 m	1	5703435005576
98300831	DEVIceguard™ 18	Drum, 720 m	720-880 m	2, between 100 & 880 m	5703466096581
98300827	DEVIceguard™ 18	Cut-to-length	1 m	-	5703466193372

### Construction



- Nickel plated copper bus wires
- Radiation Cross-Linked Semiconductive Heating Matrix
- Radiation Cross-Linked Primary Dielectric Insulation
- Tinned copper braid
- Polyolefin over jacket

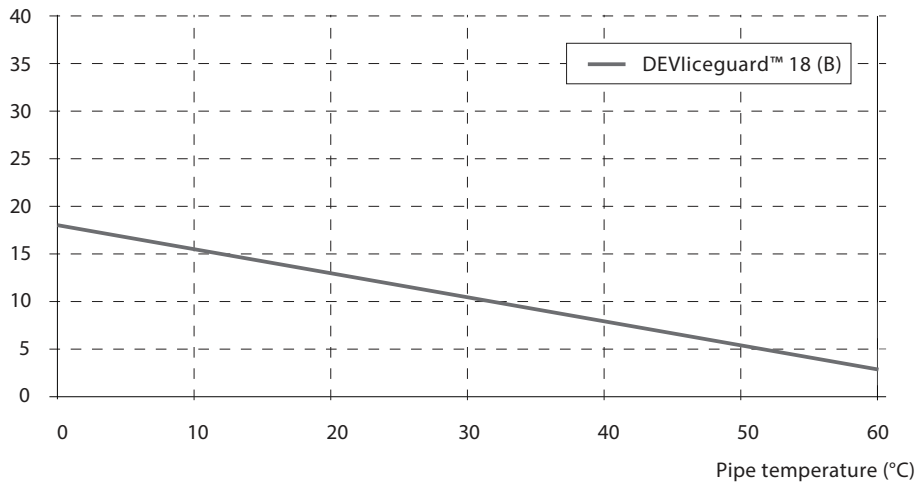
**Maximum heating circuit length on a pipe, with circuit breaker with C-characteristic\***

Switch on temperature	DEVliceguard™ 18 (B)			
	16 A	20 A	25 A	32 A
10 °C	145 m	162 m	162 m	162 m
-15 °C	93 m	125 m	142 m	162 m
-30 °C	77 m	106 m	135 m	160 m

\* Maximum length in ice water or for roof applications is 2 times lower.

**Output of heating cable installed and measured on a pipe**

W/m





## DEVIceguard™ 18 (T) Drum Goods

The DEVIceguard™ is a self-limiting parallel heating cable that is used for ice and snow melting on roofs and in gutters and downpipes.

DEVIceguard™ heating cables should not be in direct contact with bitumen roofs.

The self-limiting capability of the cable ensures that the output of the cable increase or decrease according to ambient temperature.

The heating cable is flexible and easy to install as it can be cut to length at site and installed directly on to the roof and gutter system.

All self-limiting heating cables must be over-temperature protected by a thermostat, as the output will decrease, but never be zero, the circuit must be protected by a RCD with a maximum trip current of 30 mA.

### Benefits:

- Easy to install
- Cut to length on site

### Standard compliance:

- EN 62395-1: 2013

### Approvals:

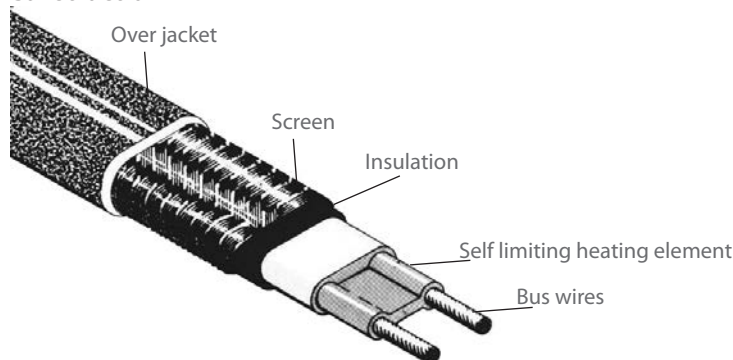


Type	Value
Nominal voltage	230 V AC
Nominal output	20 W/m @ 0 °C (18 W/m @ 10 °C)
Output tolerance (min-max)	19,6 - 26,3 W/m @ 10 °C
Maximum permissible use temperature	65 °C, powered 85 °C, unpowered
Minimum installation temperature	-5 °C
Cable dimensions	11,3 × 5,8 mm
Outer sheath	Black UV protected, TPE
Minimum braid coverage	80%
Maximum resistance protective braid	14,8 Ω/Km
Bending Ø, min.	32 mm (Ø to the inside of the cable)
IP Class	IPX7

### Types DEVIceguard™ 18 Drum Goods

Item no.	Type	Length	Permissible length	Output @ 10 °C	EAN no.
98300860	DEVIceguard™ 18	Drum, 100 m	-10% to +10% (actual length on each reel)	18 W/m	5703466213483
98300861	DEVIceguard™ 18	Drum, 250 m		18 W/m	5703466213490
98300862	DEVIceguard™ 18	Drum, 750 m		18 W/m	5703466213506
98300844	DEVIceguard™ 18	Cut-to-length	-	18 W/m	5703466213926

### Construction

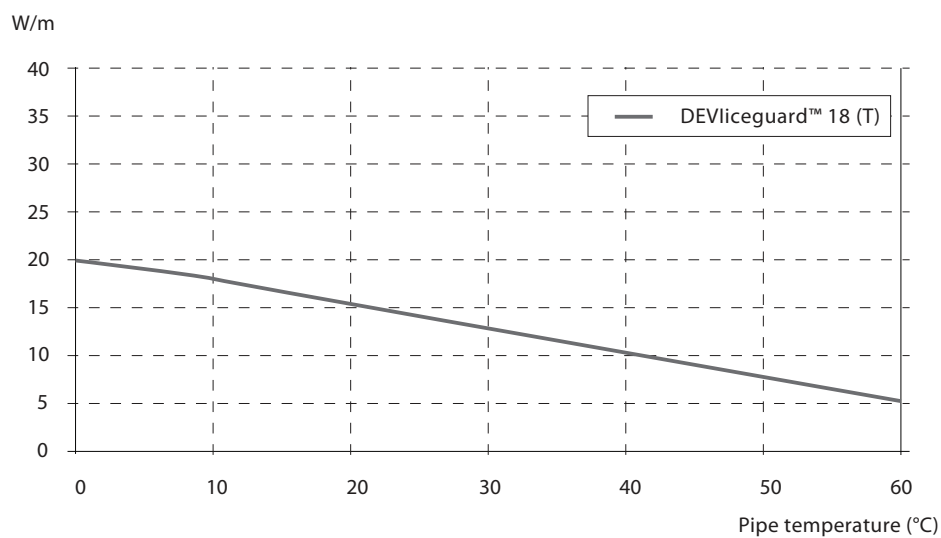


- Nickel plated copper bus wires
- Radiation Cross-Linked Semiconductive Heating Matrix
- Radiation Cross-Linked Primary Dielectric Insulation
- Tinned copper braid
- Polyolefin over jacket

### DEVliceguard™ 18 (T) heating cable maximum length

Start-Up Temp. (°C)	W/m	Breaker size B Type (C Type)				
		10 A (8 max.)	16 A (12,8 max.)	20 A (16 max.)	25 A (20 max.)	32 A (25,6 max.)
-40	60	25	40	50	62	80
-30	54	27	44	55	69	88
-20	49	30	50	60	75	95
-10	43	34	54	68	85	95
0 (ice water)	38	38	60	75	94	95
10	18	51	82	103	129	129

### Output of heating cable installed and measured on pipe





## DEVlceguard™ 18 (T) Ready-made

The DEVlceguard™ is a self-limiting parallel heating cable that is used for ice and snow melting on roofs and in gutters and downpipes.

DEVlceguard™ heating cables should not be in direct contact with bitumen roofs.

The self-limiting capability of the cable ensures that the output of the cable increase or decrease according to ambient temperature.

The heating cable is flexible and easy to install as it can be cut to length at site and installed directly on to the roof and gutter system.

All self-limiting heating cables must be over-temperature protected by a thermostat, as the output will decrease, but never be zero, and be protected by a RCD with a maximum trip current of 30 mA.

### Benefits:

- Easy to install
- Cut to length on site
- Readymade lengths

### Standard compliance:

- SS 4242411

### Approvals:

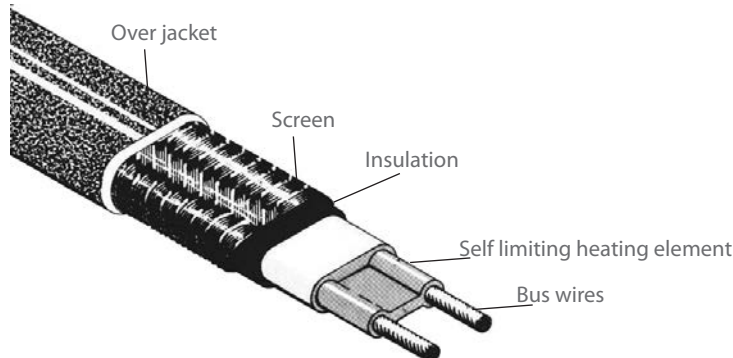


Type	Value
Nominal voltage	230 V AC
Nominal output	20 W/m @ 0 °C (18 W/m @ 10 °C)
Output tolerance (min-max)	19,6 - 26,3 W/m @ 10 °C
Maximum permissible use temperature	65 °C, powered 85 °C, unpowered
Minimum installation temperature	-5 °C
Cable dimensions	11,3 × 5,8 mm
Outer sheath	Black UV protected, TPE
Minimum braid coverage	80%
Maximum resistance protective braid	14,8 Ω/Km
Bending Ø, min.	32 mm (Ø to the inside of the cable)
IP Class	IPX7

### Types DEVlceguard™ 18 (T) Ready-made

Item no.	Type	Length	Output @ 10 °C	EAN no.
98300835	DEVlceguard™ 18 Readymade	2 m	36 W	5703466202678
98300836	DEVlceguard™ 18 Readymade	4 m	72 W	5703466202685
98300837	DEVlceguard™ 18 Readymade	6 m	108 W	5703466202692
98300838	DEVlceguard™ 18 Readymade	8 m	144 W	5703466202708
98300839	DEVlceguard™ 18 Readymade	10 m	180 W	5703466202715
98300840	DEVlceguard™ 18 Readymade	15 m	270 W	5703466202722
98300841	DEVlceguard™ 18 Readymade	23 m	414 W	5703466202739
98300842	DEVlceguard™ 18 Readymade	30 m	540 W	5703466202746
98300843	DEVlceguard™ 18 Readymade	50 m	900 W	5703466202753

### Construction



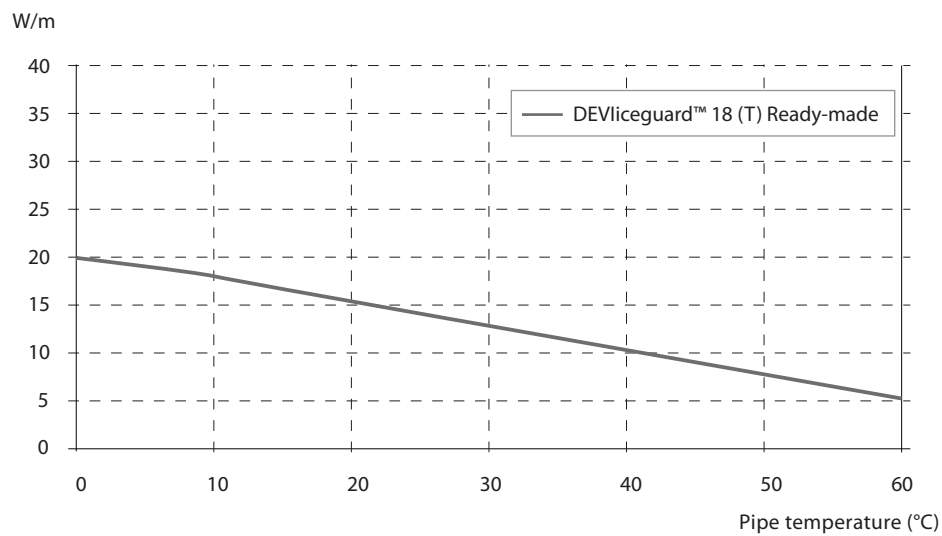
- Nickel plated copper bus wires
- Radiation Cross-Linked Semiconductive Heating Matrix
- Radiation Cross-Linked Primary Dielectric Insulation
- Tinned copper braid
- Polyolefin over jacket

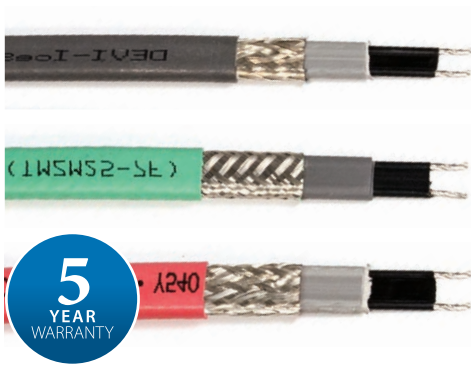


### DEVliceguard™ 18 (T) Ready-made heating cable maximum length

Start-Up Temp. (°C)	W/m	Breaker size B Type (C Type)				
		10 A (8 max.)	16 A (12,8 max.)	20 A (16 max.)	25 A (20 max.)	32 A (25,6 max.)
-40	60	25	40	50	62	80
-30	54	27	44	55	69	88
-20	49	30	50	60	75	95
-10	43	34	54	68	85	95
0 (ice water)	38	38	60	75	94	95
10	18	51	82	103	129	129

### Output of heating cable installed and measured on pipe





## DEVIhotwatt™ 45 (B), DEVIhotwatt™ 55 (B), DEVIhotwatt™ 70 (B)

The DEVIhotwatt™ is a self-limiting heating cable that is used for temperature maintenance of hot water supply and other fluids that need to maintain a certain temperature.

The self-limiting capability of the cable ensures that the output of the cable increase or decrease according to ambient temperature.

DEVIhotwatt™ ensures hot water in all taps and savings when circulation of the whole pipe system is unnecessary. All self-limiting heating cables must be over-temperature protected by a thermostat, as the output will decrease, but never be zero, and be protected by a RCD with a maximum trip current of 30 mA.

The cable is not approved for use in drinking water.

Benefits:	Type	Value
<ul style="list-style-type: none"> <li>• Cut to length on site</li> <li>• Black version is UV protected</li> <li>• PVC free</li> </ul>	Nominal voltage	230 V AC
	Nominal output (min-max) : DEVIhotwatt™ 45 DEVIhotwatt™ 55 DEVIhotwatt™ 70	7 W/m @ 45 °C (6,5-9,5 W/m @ 45 °C) 9 W/m @ 55 °C (8,5-13,0 W/m @ 55 °C) 12 W/m @ 70 °C (11,3-15,2 W/m @ 70 °C)
	Outer sheath: DEVIhotwatt™ 45 DEVIhotwatt™ 55 DEVIhotwatt™ 70	Black, TPE Green, TPE Red, TPE
<b>Standard compliance:</b> <ul style="list-style-type: none"> <li>• DIN VDE 0254: 1994-06</li> </ul>	Maximum permissible use temperature	80 °C, powered 100 °C, unpowered
	Minimum installation temperature	-5 °C
<b>Approvals:</b> 	Cable dimensions	11,8 mm × 5,8 mm
	Minimum braid coverage	70%
	Maximum resistance protective braid	18,2 Ω/Km
	Bending Ø, min.	50 mm (Ø to the inside of the tape)
	IP Class	IPX7

### Types DEVIhotwatt™ 45

Item no.	Type	Length	Min-max length per drum	Number of length allowed on drum, max	EAN no.
98300955	<b>DEVIhotwatt™ 45</b>	Drum, 270 m	270-330 m	1	5703466109144
98300718	<b>DEVIhotwatt™ 45</b>	Cut-to-length	-	-	5703466195925

### Types DEVIhotwatt™ 55

Item no.	Type	Length	Min-max length per drum	Number of length allowed on drum, max	EAN no.
98300958	<b>DEVIhotwatt™ 55</b>	Drum, 100 m	100 m	1	5703466177204
98300957	<b>DEVIhotwatt™ 55</b>	Drum, 270 m	270-330 m	1	5703435005613
98300956	<b>DEVIhotwatt™ 55</b>	Cut-to-length	-	-	5703466193389

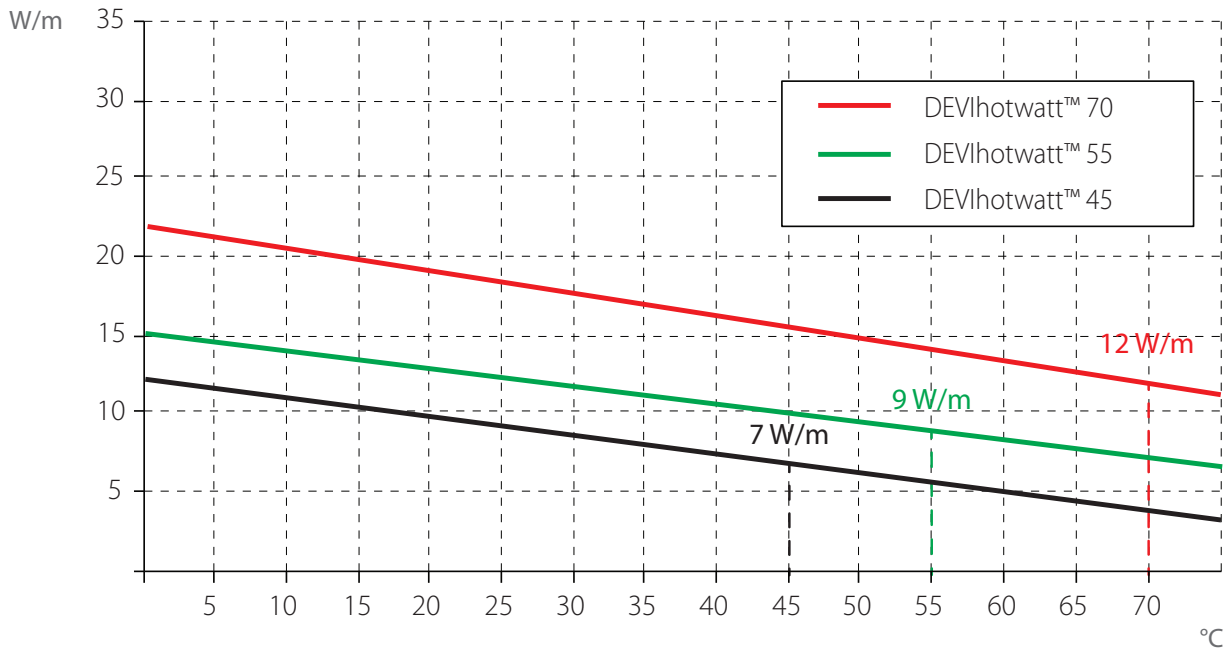
### Types DEVIhotwatt™ 70

Item no.	Type	Length	Min-max length per drum	Number of length allowed on drum, max	EAN no.
98300959	<b>DEVIhotwatt™ 70</b>	270 m, drum	270-330 m	1	5703466109151
98300964	<b>DEVIhotwatt™ 70</b>	Cut-to-length	-	-	5703466193396

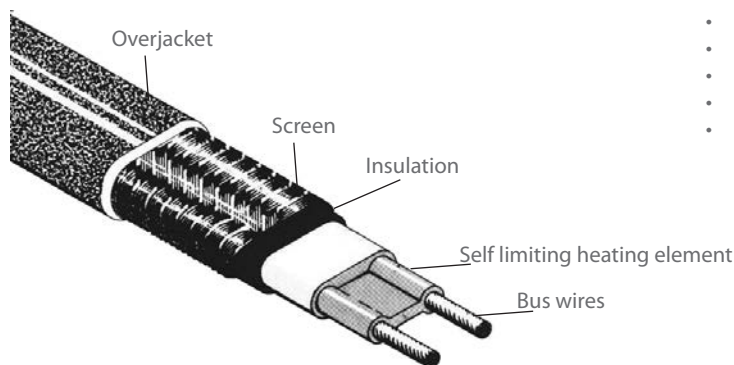
### Maximum heating circuit length on a pipe, with circuit breaker with C-characteristic

"Circuit breaker size"	6A				10A				16A				20A				25A				32A			
"start-up temperature", [°C]	-25	-10	+10	+20	-25	-10	+10	+20	-25	-10	+10	+20	-25	-10	+10	+20	-25	-10	+10	+20	-25	-10	+10	+20
<b>DEVI-hotwatt 45</b>	72	77	86	92	119	129	144	153	191	203	230	231	231	231	231	231	231	231	231	231	231	231	231	231
<b>DEVI-Hotwatt 55</b>	52	56	61	65	86	93	102	108	138	148	164	173	173	185	188	188	188	188	188	188	188	188	188	188
<b>DEVI-Hotwatt 70</b>	24	27	42	59	37	45	71	99	64	72	113	146	80	90	142	146	103	113	146	146	133	143	146	146

### DEVIhotwatt™ Output of heating cable



### Construction



- Nickel plated copper bus wires
- Radiation Cross-Linked Semiconductive Heating Matrix
- Radiation Cross-Linked Primary Dielectric Insulation
- Tinned copper braid
- Polyolefin over jacket



## DEVMulti™ PVC

**DEVMulti™ PVC** is a high-quality, 4-conductor cable with an outer sheath made of PVC and specially designed for frost protection of long pipes. Additionally cable is used in multiple outdoor ground, frost protection, etc., applications.

The cable is constructed of 4 identical conductors. The conductors can be connected in different ways (parallel and/or serial), meaning that the same cable can provide up to 11 different outputs, depending on the connection made.

**DEVMulti™ PVC** is very flexible and therefore perfectly suited for external installation on pipes, it can be supplied in 3 versions with different resistance values.

The cables are not approved for use in contact with water for human consumption.

**DEVMulti™** can be customized for the specific project, depending on voltage, required output, length of heating cable and length of cold leads.

**!** **Note:** It is the full responsibility of the installer/designer to use proper cold lead dimensioned for the purpose and assembly sets that establish sufficient mechanical strength, flammability resistance and water tightness - and to design the heating unit with correct output for the specific application to avoid overheating of the cable or building materials.

<b>Benefits:</b> <ul style="list-style-type: none"> <li>• Easy to install</li> <li>• Various Ohmic output</li> <li>• Safe and robust</li> <li>• Long life-time</li> </ul> <b>Standard compliance:</b> <ul style="list-style-type: none"> <li>• IEC 60800:1992</li> <li>• EN 50581:2012</li> </ul>	Type	Value	
	Operation voltage, max.		U <sub>o</sub> /U = 300/500 V~
	Construction		4-conductor, round
	Max. permissible use temperature, powered		70 °C
	Max. permissible use temperature, unpowered		90 °C
	Cable dimensions, max.		Ø 8 mm
	Deformation strength, min.		600 N
	Pulling strength, min		120 N
	Conductor insulation		FEP
	Filler sheath		PVC
	Outer sheath: DEVMulti™ PVC		PVC, red
	Screen		1 mm <sup>2</sup> (16 x 0,286 mm)
	Min. installation temperature		0 °C
	Bending Ø, min.		6 x cable diameter
IP Class		IPX7	

### Types DEVMulti™ PVC (DMIH)

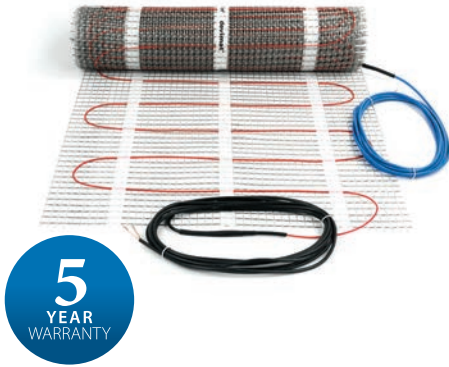
Item no.	Resistance	Conductor Ø	Order length	EAN no.
89999140	4 x 2,5 Ohm/m (Constantan wire)	0,96 mm	1000-1200 m (+/- 2%)	5703466039359
89999142	4 x 0,220 Ohm/m (Brass wire)	0,771 mm		5703466039366
89999144	4 x 0,027 Ohm/m (Copper wire)	1,02 mm		5703466039373

### Accessories

Item no.	Type	Description	EAN no.
19805712	<b>DEVicrimp assembly set DK 4-cond, type C</b>	Assembly set for 4-conductors cable for 2 connections: cold tail and end muff.*	5703466003855
19805480	<b>DEVicrimp assembly set DK 4-cond, type C</b>	Assembly set for 4-conductors cable for 1 connection: either cold tail or end muff.*	5703466003824
19805076	<b>Tape aluminium 38 mm x 50 m</b>	Self-adhesive, with 2-colour warning label, max. 75 °C	5703435003053

\* See full range of accessories with images on p. 115.





## DEVIheat™ Sport 90S

**DEVIheat™ Sport 90S** is a single conductor heating mat for installation under artificial grass. It is specially designed and configured for installation under artificial grass fields with the purpose of establishing frost protection. Though it is small, the sturdy heating element resists the continuous stress from players and vehicles.

**DEVIheat™ Sport 90S** is tested for artificial grass with topdressing "Infillpro Geo" from Limonta Sport, Italy. If any other artificial grass type/producer is expected, please contact DEVI/Danfoss for testing underlay and top layer, including the specified top dressing, before the solution could be accepted.

### Benefits:

- Thin, only 3 mm including mesh
- Protective mesh
- Sturdy heating element
- Ø10 mm connection
- Other mat sizes on request

### Standard compliance:

- EN 60335-1
- EN 60335-2-96
- EN 50581

### Approvals:



Type	Value
Nominal voltage	230 V~
Output	90 W/m <sup>2</sup> @ 230 V~ (3245 W)
Mat size	70,5 x 0,5 m; Other mat length ±3 m on request
Construction	Single conductor, round with screen, two cold leads
Cable diameter	2,5 mm
Cold tail	2 x 24 m, DSWA, 2,5 mm <sup>2</sup> with screen
Deformation strength, min.	600 N
Pulling strength, min.	120 N
Conductor insulation	FEP
Outer sheath	PVDF
Screen	10 x 0,25 mm Cu threads
Min. installation temperature	-5 °C
Max. permissible use temperature, powered	70 °C
Min. bending Ø	6 x cable diameter
IP Class	IPX7

### Types

Item no.	Output @ 230V~	Dimensions (W x L)	Area	Resistance	EAN no.
140F0399	3245 W	0,5 x 70,5 m	35,25 m <sup>2</sup>	16,3 Ω	5703466217344

### Accessories

Item no.	Description	EAN no.	
19805907	Synthetic nail, 40 pcs. in box	5703466249536	

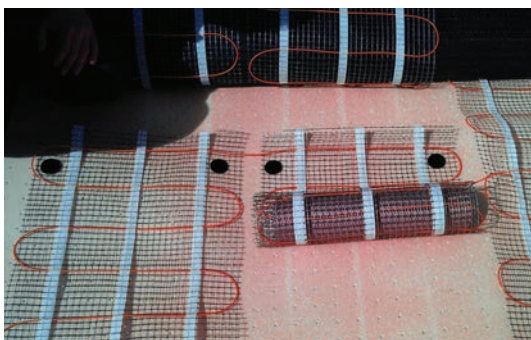
## Installation Step-by-step



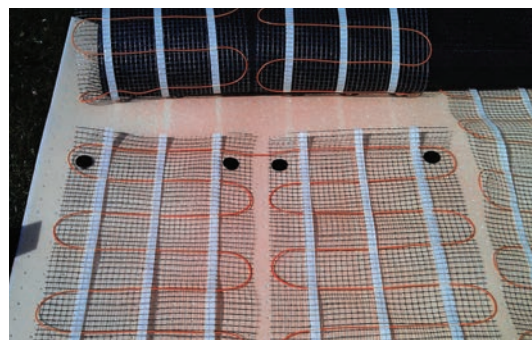
1. Roll out and find the centre of the mat.



2. At the centre of the mat, cut the mesh - **not the cable**.



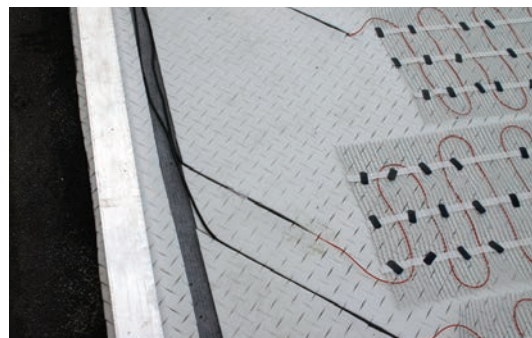
3. Secure the heating mat at the centre of the field, using the special carbon nails. Roll and stretch the mat towards the sideline.



4. When reaching the side line secure the heating mat with the special carbon nails, one every 30 cm.



5. Remember to mark goal posts, corner flags, etc. to secure that the heating mat / cables are not damaged when making the holes for the posts.



6. Cut a groove into the shock pad - **not the draining mat**, embed the cold leads and take them to the nearest cable vault.

## Installation

During installation of the heating mats an expert installation engineer must be present to supervise the installation and perform the required tests.

- Install the heating mat on top of the shock pad - **mesh up**.
- When rolling out the heating mat, secure the cold lead inside the cardboard tube of the roll in order for the cold lead not to be twisted.
- Mind that the cable does not drop down into the grooves in the shock pad.
- Do not step on the heating mats during installation.
- Use a rubber-headed hammer to secure the special carbon nails to the heating mat.
- Do not allow the heating mat to shift when laying out the artificial grass rolls.
- Do not use tools with sharp edges, do not use footwear with rough soles or similar, as this, in many cases, may damage the electrical heating mats.
- Only use the artificial grass for playing football.



## DEVI sport™

DEVI sport™ heating cable is the sturdy and cost effective single conductor heating cable for the major outdoor installations. The cable has a high mechanical strength both in relation to pulling and deformation making it ideal for installation with specialized cable ploughs.

The single conductor heating cable ensures an even heat generation and temperature distribution along the whole length of the cable.

DEVI sport™ can be customized for the specific project, depending on voltage, required output, length of heating cable and length of cold leads.



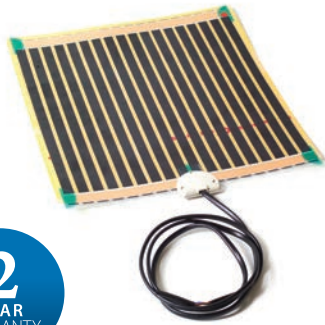
**Note:** It is the full responsibility of the installer/designer to use proper cold lead dimensioned for the purpose and assembly sets that establish sufficient mechanical strength, flammability resistance and water tightness - and to design the heating unit with correct output for the specific application to avoid overheating of the cable or building materials.

<b>Benefits:</b> <ul style="list-style-type: none"> <li>• Sturdy cable</li> <li>• Very high pulling strength</li> <li>• High deformation strength</li> <li>• Screened and IPX7</li> </ul> <b>Standard compliance:</b> <ul style="list-style-type: none"> <li>• IEC60800:1992, NF-C 32-330</li> <li>• LCIE</li> </ul> <b>Approvals:</b>	Type	Value
	Nominal voltage	U <sub>o</sub> /U = 300/500 V~
	Construction	Round, single conductor with screen
	Output, max	25 W/m
	Max. permissible use temperature, powered	65 °C
	Max. permissible use temperature, unpowered	90 °C
	Cable dimensions	Ø 8 mm
	Deformation strength	1500 N
	Pulling strength	1500 N
	Conductor insulation	XLPE
	Outer sheath	MDPE
	Min. installation temperature	-5 °C
	Bending Ø, min.	6 x cable diameter
IP Class	IPX7	

### Types

Item no.	Resistance	EAN no.
84701442	0,040 Ω/m	5703466058480
84701444	0,060 Ω/m	5703466058497
84701446	0,085 Ω/m	5703466058503
84701448	0,100 Ω/m	5703466058510
84701450	0,150 Ω/m	5703435021552
84701452	0,177 Ω/m	5703466058527
84701454	0,255 Ω/m	5703435021569





## DEVIfoil™ Mirror

An effective system for keeping the mirror completely steam free.

Fast and easy installation where the self-adhesive side of the heating foil is placed on the back of the mirror.

Low energy consumption and automatic activation when the light is switched on.

### Benefits:

- Fast and easy installation
- Low energy consumption
- Automatic activation

### Standard compliance:

- EN 60335-1 + EN 60335-2-30

### Approvals:



Type	V value
Nominal voltage	230 V~
Output	200 W/m <sup>2</sup>
Max. ambient temperature	80 °C
IP Class	IP 44
Protection class	Class II - <input type="checkbox"/>
Connection cable length	95 cm
Connection muff	4 x 31 x 39 mm

### Types

Item no.	Type	Dimensions	Wattage	EAN no.
62000000	<b>DEVIfoil™ Mirror 17,5</b>	274 x 358 mm	17,5 W	5703466180686
62000001	<b>DEVIfoil™ Mirror 40</b>	410 x 524 mm	40,0 W	5703466180693
62000002	<b>DEVIfoil™ Mirror 70</b>	708 x 524 mm	70,0 W	5703466180709



## DEVIreg™ 233

The **DEVIreg™ 233** is an electronic thermostat designed to be flush-mounted or wall-mounted in an installation box from the LK FUGA series. The thermostat is provided with a 1- pole switch and a floor sensor (wire) to measure and control the desired floor temperature. Alternatively an external room sensor can be used.

The thermostat has a button to adjust the temperature setting with a scale from (0) 1 to 6.

### Benefits:

- Fits LK FUGA frames
- Sensor failure monitoring
- LED indication
- Room and floor sensors
- Frost protection

### Standard compliance:

- EN/IEC 60730-1 (general)
- EN/IEC 60730-2-9 (thermostat)

### Approvals:



Type	Value
Operation voltage	220 V- 240V~ 50/60 Hz
Standby power consumption	Max. 1.7 W
Relay:	
Resistive load	Max 13A / 2990W @ 230V
Inductive load	Cos Φ = 0.3 max. 1A
Sensing unit	NTC 15 kOhm at 25°C
Hysteresis	± 0.4°C
Ambient temperature	0°C. to +40°C
Frost protection	5°C - ❄️
Temperature range	5°C to 45°C
Cable specification max	1 x 4 mm <sup>2</sup> or 2 x 2,5 mm <sup>2</sup>
Ball pressure test temperature	75°C
Pollution degree	2 (domestic use)
Controller type	1 C
Storage temperature	-20°C to +65°C
IP class	41 (vertical installation)
Protection class	Class II - <input type="checkbox"/>
Dimensions (H/W/D)	71 mm x 44 mm x 31 mm (in-wall depth: 20 mm)
Weight	77 g

### Types

Item no.	Product name	Type	EAN no.
140F1020	<b>DEVIreg™ 233</b>	With floor sensor	5703466208984
19112321	<b>DEVIreg™ 233</b>	With room sensor, white front button	5703466168981



## DEVIreg™ 130, DEVIreg™ 132

**DEVIreg™ 130/132** is a line of simple electronic 16 Amps thermostats with possibility to be installed directly on the wall. The thermostats have only one button for adjusting the temperature and for OFF mode. Furthermore, it has an LED indicator showing standby (green light) and heating (red light) periods. The thermostats do not have wire sensor failure monitoring. Wire temperature sensor included in the set.

**DEVIreg™ 130** is equipped with a wire (floor) sensor used for control of Comfort Floor Heating applications. The thermostat has a dial for adjusting the temperature setting with a numeric scale from to 5 (meaning from OFF, 5 °C to 45 °C and each step corresponds to approx. 9 °C). This type of thermostat can be used for outdoor applications too – Ice and Snow Melting on Ground, Frost Protection on Roofs, Pipe Tracing, etc., because it doesn't have wire sensor failure monitoring.

**DEVIreg™ 132** is equipped with a built-in air sensor to control the room temperature and an additional floor (wire) sensor to limit the maximum floor temperature. The main application is Total (Direct) Heating via Floor systems. The thermostat has a dial for adjusting the room temperature, with a degree scale from to 35°C (which means from OFF, 5°C to 35°C). Adjusting maximum floor temperature is provided with potentiometer placed under front cover (default 35°C).

### Benefits:

- Low standby consumption
- Installation on the wall
- LED indication
- Frost protection
- Ice and snow melting applications

### Standard compliance:

- EN/IEC 60730-1 (general)
- EN/IEC 60730-2-9 (thermostat)

### Approvals:



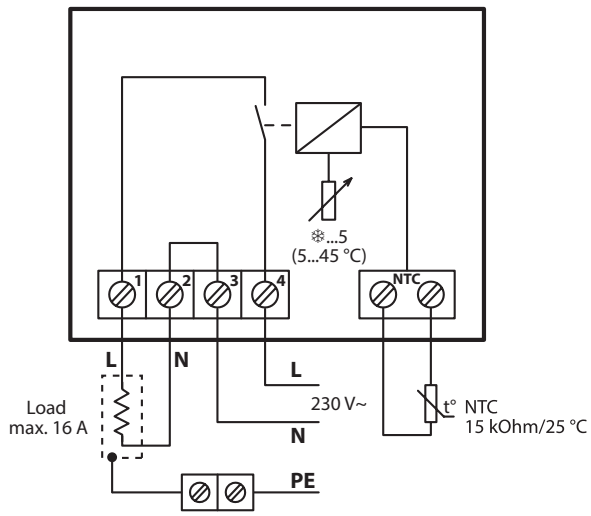
Type	Value
Operation voltage	220 - 240 V, 50/60 Hz
Standby power consumption	Max. 5 W
Resistive load	Max 16 A (3680 W) @ 230 V
Inductive load	Max. 1 A, cos φ = 0,3
Hysteresis	± 0,2°C
Ambient temperature	-10 °C to +30 °C
Frost protection	5 °C -
Cable specification max	1 x 4 mm <sup>2</sup> or 2 x 2,5 mm <sup>2</sup>
Ball pressure test temperature	75°C
Pollution degree	2 (domestic use)
Controller type	1 C
Storage temperature	-20 °C to +65 °C
IP class	IP 30
Protection class	Class II -
Dimensions (H/W/D)	82 x 82 x 36 mm
Weight	90 g

### Types

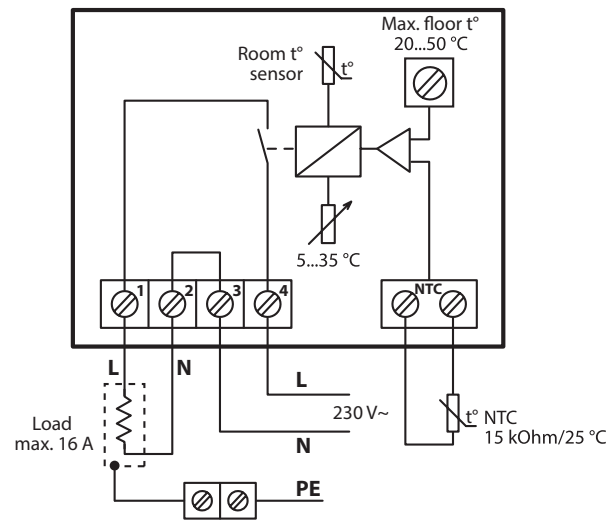
Item no.	Product name	Temp. range	Sensor type	Marking	EAN no.
140F1010	<b>DEVIreg™ 130</b>	5-45 °C	Wire sensor, 3 m, NTC 15 kOhm at 25 °C	D130	5703466208953
140F1011	<b>DEVIreg™ 132</b>	Room: 5-35 °C, max. floor temp.: 20-50 °C (default 35 °C)	Built-in room sensor and wire sensor, 3 m, NTC 15 kOhm at 25 °C	D132	5703466208960

**Connection schemes**

**DEVireg™ 130**



**DEVireg™ 132**





## DEVIreg™ 530, DEVIreg™ 531, DEVIreg™ 532, DEVIreg™ 530M

**DEVIreg™ 530/530M/531/532** 532 is a line of simple electronic thermostats with a 2-pole switch and for flush-mounted fixing. The thermostats are used to control indoor floor heating systems.

**DEVIreg™ 530** is a 15 Amps thermostat with a wire (floor) sensor, used to control Comfort Floor Heating systems. The thermostat has a dial for adjusting the temperature setting with a numeric scale from ❄️ to 6 (meaning from 5 °C to 45 °C and each step corresponds to approx. 8 °C).

**DEVIreg™ 531** is a 15 Amps thermostat with a built-in air (room) sensor, used to control Direct Floor Heating systems. It has a dial for adjusting the temperature setting with a degree scale from ❄️ to 35 °C (meaning from 5 °C to 35 °C).

**DEVIreg™ 532** is a 15 Amps thermostat with a built-in air (room) sensor to control the room temperature and an additional floor (wire) sensor to limit the maximum floor temperature. The thermostat is used to control Direct Heating via Floor systems with limitation of maximum floor temperature in wooden floors and other heat sensitive floors. It has a dial for adjusting the room temperature, with a degree scale from ❄️ to 35 °C (meaning from 5 °C to 35 °C). Adjusting of the maximum floor temperature is provided by potentiometer placed under front cover (default 35 °C).

**DEVIreg™ 530M** is a 15 Amps thermostat with max. floor temperature 35 °C and a 2-pole switch to be installed directly on the wall, using a floor(wire) sensor to measure and control the desired floor temperature (max. 35 °C). The thermostat has a dial for adjusting the temperature setting with a scale from ❄️ to 6 (from 5 °C to 35 °C).

The thermostats have a LED indicator showing standby (green light) and heating (red light) periods. Furthermore, they have a wire sensor failure monitoring - flashing green light - and switch off the heating, if the sensor is disconnected or short-circuited.

### Benefits:

- 2-pole safety breaker
- Low standby consumption
- Sensor failure monitoring
- LED indication for fault
- Frost protection

### Standard compliance:

- EN/IEC 60730-1 (general)
- EN/IEC 60730-2-9 (thermostat)

### Approvals:



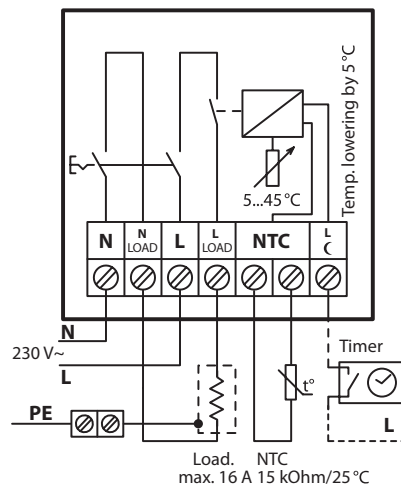
Type	Value
Operation voltage	220 - 240 V, 50/60 Hz
Standby power consumption	Max. 0,25 W
Resistive load: DEVIreg™530/ 531/532/530M	Max 15 A (3450 W) @ 230 V
Inductive load	Max. 1 A, cos φ = 0,3
Hysteresis	± 0,4 °C
Sensing unit	NTC 15 kOhm at 25 °C
Ambient temperature	-10 °C to +30 °C
Frost protection	5 °C - ❄️
Cable specification max	1 x 4 mm <sup>2</sup> or 2 x 2,5 mm <sup>2</sup>
Ball pressure test temperature	75 °C
Pollution degree	2 (domestic use)
Controller type	1 C
Storage temperature	-20 °C to +65 °C
IP class	IP 31
Protection class	Class II - <input type="checkbox"/>
Dimensions (H/W/D)	85 x 85 x 36 mm
Weight	90 g

## Types

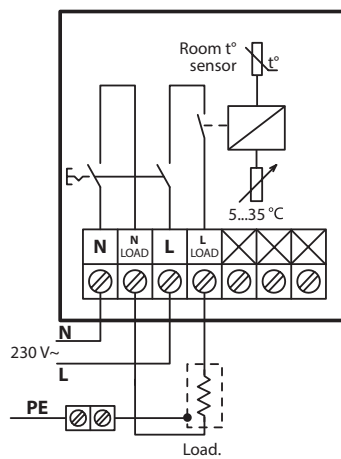
Item no.	Product name	Frame	Temperature range	Sensor type	Marking	EAN no.
140F1030	DEVIreg™ 530	ELKO	5-45 °C	Wire sensor, 3 m, NTC 15 kOhm at 25 °C	D530	5703466208991
140F1031	DEVIreg™ 530	ELJO	5-45 °C	Wire sensor, 3 m, NTC 15 kOhm at 25 °C	D530	5703466209004
140F1032	DEVIreg™ 530	JUSSI	5-45 °C	Wire sensor, 3 m, NTC 15 kOhm at 25 °C	D530	5703466209011
140F1034	DEVIreg™ 531	ELKO	5-35 °C	Built-in room sensor	D531	5703466209035
140F1036	DEVIreg™ 531	JUSSI	5-35 °C	Built-in room sensor	D531	5703466209059
140F1037	DEVIreg™ 532	ELKO	5-35 °C room temperature; 20-50 °C floor temperature limiter (default 35 °C)	Built-in room sensor and wire sensor, (3 m, NTC 15 kOhm at 25 °C)	D532	5703466209066
140F1039	DEVIreg™ 532	JUSSI	5-35 °C room temperature; 20-50 °C floor temperature limiter (default 35 °C)	Built-in room sensor and wire sensor, (3 m, NTC 15 kOhm at 25 °C)	D532	5703466209080
140F1101	DEVIreg™ 530M	ELKO	15-35 °C	Wire sensor, 3 m, NTC 15 kOhm at 25 °C	D530M	5703466210406

## Connection schemes

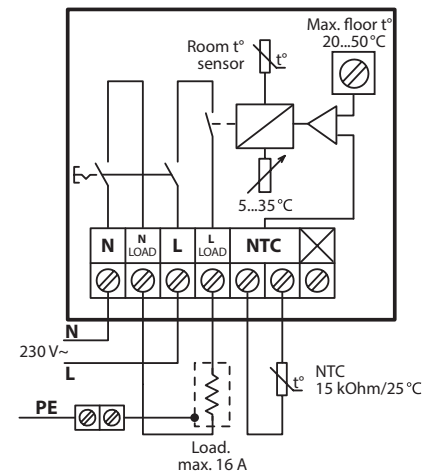
DEVIreg™ 530/530M



DEVIreg™ 531



DEVIreg™ 532





## DEVIreg™ Opti

The DEVIreg™ Opti is an electronic thermostat with a programmable timer, designed to fulfill Eco design directive. The thermostat is primarily used for controlling electrical floor heating elements. The thermostat is designed for fixed installation only and has integrated frame.

The DEVIreg™ Opti is fast to setup and easy to operate, using buttons placed below the screen. It has an open window detection function, and energy-saving regulation program.

### Benefits:

- Fulfilling the Eco design directive requirements
- Open window detection and indication
- PWM regulation function
- Weekly timer
- Low stand by consumption
- Always on, visible current room temperature
- Keeps user settings for up to 60 days

### Standard compliance:

- EN/IEC 60730-1 (general)
- EN/IEC 60730-2-9 (thermostat)

### Tested by:

- Intertek

### Approvals:

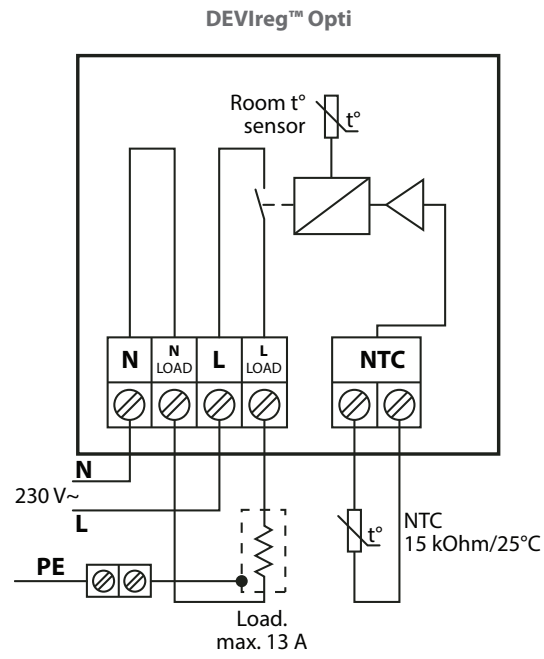


Type	Value
Operation voltage	220 - 240 V, 50/60 Hz
Standby power consumption	< 0,5 W
Resistive load	13A / 2990W @ 230V
Inductive load	1A (Cos Φ = 0,3)
Sensing unit	NTC 15 kΩ @ 25°C, 3 m.
Regulation	PWM - Pulse Width Modulation
Ambient temperature	0°C to 35°C
Frost protection	5°C to 9°C (default 5°C)
Floor temperature limit	15°C to 35°C (45°C)
Temperature range	5°C to 35°C (room) 5°C to 45°C (floor)
Storage temperature	-25°C to 60°C
Cable specification max.	1 x 4 mm <sup>2</sup> and 2 x 2,5 mm <sup>2</sup>
Ball pressure test temperature	75°C
Pollution degree	2 (domestic use)
Controller type	1 B
Software class	A
IP class	21
Protection class	Class II - <input type="checkbox"/>
Dimensions (H/W/D)	85 mm x 85 mm x 44 mm (in-wall depth: 24 mm)
Weight	138 g

### Types

Item no.	Product name	Type	EAN no.
140F1055	DEVIreg™ Opti - Pure White	RAL 9010	5703466243152

Connection schemes







## DEVIreg™ Touch

The **DEVIreg™ Touch** is an intuitive programmable timer thermostat used for controlling electrical floor heating elements. The thermostat is designed for fixed installation only and due to the special designed 2-part construction it fits a wide range of frames and sensors.

The **DEVIreg™ Touch** is fast and intuitive to setup using the built-in wizard. It has an energy-saving program – including an optimum start/end control ensuring the desired temperature at the correct time and thereby reducing the heating costs.

### Benefits:

- Big 2" touch screen
- Built-in setup wizard
- Easy and intuitive functionalities
- Adaptive PWM function
- Fits several single and multiple frames
- Fits several competitor NTC sensors
- Optional code setup
- Easy online troubleshooting

### Standard compliance:

- EN/IEC 60730-1 (general)
- EN/IEC 60730-2-9 (thermostat)

### Approvals:



Type	Value
Operation voltage	220 V- 240V~ 50/60 Hz
Standby power consumption	max. 0.40 W
Relay:	
Resistive load	16A / 3680W @ 230V
Inductive load	Cos Φ = 0.3 max. 1A
Sensing unit	NTC 15 kΩ @ 25°C, 3 m. (default), NTC 10 kΩ @ 25°C, NTC 6.8 kΩ @ 25°C, NTC 33 kΩ @ 25°C, NTC 12 kΩ @ 25°C, NTC 47 kΩ @ 25°C
Regulation	PWM - Pulse Width Modulation
Ambient temperature	0°C to 30°C
Frost protection	5°C to 9°C (default 5°C)
Floor temperature limit	Max. 20°C to 35°C (45°C) Min. 10°C to 35°C (45°C)
Temperature range	5°C to 35°C (room) 5°C to 45°C (floor)
Storage temperature	-20°C to 65°C
Cable specification max.	1 x 4 mm <sup>2</sup> or 2 x 2.5 mm <sup>2</sup>
Ball pressure test temperature	75°C
Pollution degree	2 (domestic use)
Controller type	1 C
Software class	A
IP class	21
Protection class	Class II - <input type="checkbox"/>
Dimensions (H/W/D)	85 mm x 85 mm x 20-24 mm (in-wall depth: 22 mm)
Weight	115 g

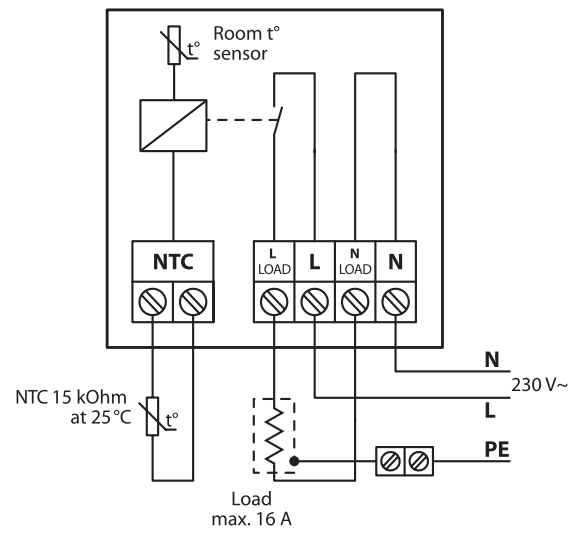
### Types

Item no.	Product name	Type	Language	EAN no.
140F1065	<b>DEVIreg™ Touch - Pure White</b>	Frameless RAL 9010	1	5703466215142
140F1064	<b>DEVIreg™ Touch - Pure White</b>	With design Frame RAL 9010	1	5703466215135
140F1068	<b>DEVIreg™ Touch - Pure White</b>	With design Frame RAL 9010	2	5703466225592
140F1071	<b>DEVIreg™ Touch - Polar White</b>	With design Frame RAL 9016	1	5703466225615
140F1069	<b>DEVIreg™ Touch - Pure Black</b>	With design Frame RAL 9005	1	5703466225608
140F1078	<b>DEVIreg™ Touch - Ivory</b>	With design Frame RAL 1013	1	5703466235492
140F1067	<b>Frame for DEVIreg™ Touch - Pure white</b>	With design Frame RAL 9010		5703466221983

1 - Contains languages: Bulgarian, Czech, Danish, English, Estonian, Finnish, French, German, Latvian, Lithuanian, Norwegian, Polish, Romanian, Russian, Slovenian, Slovak, Swedish, Ukrainian.

2 - Contains languages: Chinese, Croatian, Dutch, English, Hungarian, Italian, Portuguese, Serbian, Spanish, Turkish.

**Connection scheme**



**Polar White**



**Pure Black**



**Ivory**



**Pure White**



## DEVIreg™ Smart

The DEVIreg™ Smart is an intuitive programmable timer thermostat to be connected to WIFI and DEVIsmart™ App controllable from anywhere, at any time. The thermostat is primarily used for controlling electrical floor heating elements. The thermostat is designed for fixed installation only and due to the special designed 2-part construction it fits a wide range of frames and sensors.

The DEVIreg™ Smart is fast and intuitive to setup using the App wizard. It has an open window detector and energy-saving program including an optimum start/end control ensuring the desired temperature at the correct time and thereby reducing the heating costs.

### Benefits:

- WIFI Connectivity
- Remote Controllable via DEVIsmart™ App
- A single DEVIreg™ Smart thermostat can be paired with up to 10 mobile devices using DEVIsmart™ App
- Can communicate with two mobile devices simultaneously
- With one DEVIsmart™ App you are able to control as many locations with as many DEVIreg™ Smart thermostats as you need
- Adaptive PWM function
- Fits many foreign single and multiple frames
- Fits many foreign competitive NTC sensors

### Standard compliance:

- EN/IEC 60730-1 (general)
- EN/IEC 60730-2-9 (thermostat)
- EN 300 328 (WIFI)

### Approvals:



Type	Value
Operation voltage	220 V- 240V~ 50/60 Hz
Standby power consumption	max. 0,40 W
Relay: Resistive load Inductive load	16A / 3680W @ 230V 1A (Cos Φ = 0,3)
Sensing unit	NTC 15 kΩ @ 25°C, 3 m. (default), NTC 6,8 kΩ @ 25°C, NTC 10 kΩ @ 25°C, NTC 12 kΩ @ 25°C, NTC 33 kΩ @ 25°C, NTC 47 kΩ @ 25°C
Regulation	PWM - Pulse Width Modulation
Ambient temperature	0°C to 30°C
Frost protection	5°C to 9°C (default 5°C)
Floor temperature limit	Max. 20°C to 35°C (45°C) Min. 10°C to 35°C (45°C)
Temperature range	5°C to 35°C (room) 5°C to 45°C (floor)
Storage temperature	-20°C to 65°C
Cable specification max.	1 x 4 mm <sup>2</sup>
Ball pressure test temperature	75°C
Pollution degree	2 (domestic use)
Controller type	1 C
Software class	A
Expected Wi-Fi data use	125 kByte / 24h, 3,9 Mb / month
IP class	21
Protection class	Class II -
Dimensions (H/W/D)	85 mm x 85 mm x 20-24 mm (in-wall depth: 22 mm)
Weight	127 g
DEVIsmart™ App	1 App can control up to 100 thermostats 10 Apps can be connected to 1 thermostat 2 Apps can control one thermostat at the same time

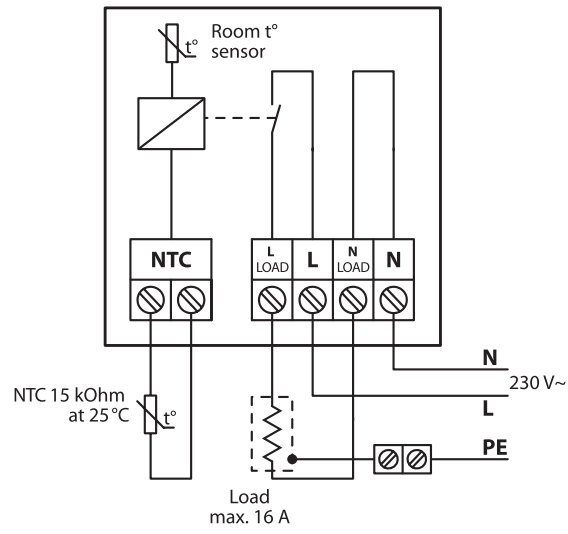
### Types

Item no.	Product name	Type	EAN no.
140F1140	DEVIreg™ Smart - Polar White	RAL 9016	5703466239629
140F1141	DEVIreg™ Smart - Pure White	RAL 9010	5703466239636
140F1142	DEVIreg™ Smart - Ivory	RAL 1013	5703466239643
140F1143	DEVIreg™ Smart - Pure Black	RAL 9005	5703466239650
140F1067	Frame for DEVIreg™ Touch - Pure white	RAL 9010	5703466221983



**Try it!**  
Download the  
DEVIsmart™ App

**Connection scheme**



**Pure White**



**Polar White**



**Ivory**



**Pure Black**



## DEVIreg™ Hotwater

**COMING SOON**

**DEVIreg™ Hotwater** is an electronic programmable controller with 4 channels for on DIN rail mounting. Every channel can be set individually to maintain hot water with the option to disinfect manually, or on a schedule. The channels sensors can be selected between 7 different temperature sensors including NTC 15 kOhm at 25°C. Building Management System (BMS) control is possible through the Modbus RS485 serial interface.

**DEVIreg™ Hotwater** has been developed to give the user easy setup, control of their hot water system, along with the option to disinfect. The controller allows up to 4 channels to be operated, each capable of controlling a separate pipe system. 2 sensors have to be used to measure the temperature for each channel.

### Benefits:

- 4 independent channels
- 2 control modes:
  - Hot water maintenance
  - Hot water maintenance with disinfection
- User definable accuracy
- Compatible with 7 sensors types
- Sensor failure monitoring
- Accurate temperature control
- Alarm functions
- Cable failure monitoring
- Multilanguage menu
- Graphic LCD display
- BMS control

### Compliance:

- Low Voltage Directive 2014/35/EU
- EMC Directive 2014/30/EU
- EN/IEC 60730-1 + EN/IEC 60730-2-9

### Certificates:



Type	Value
Nominal voltage	110/230 V AC, 50–60 Hz
Power consumption, max.	20 V A
Relay load:	
Resistive (inductive, cos(phi sign) = 0,6)	
Total current load limit	32 A
C1-NO1, C2-NO2	10 (3,5) A (100 000 cycles)
C3-NO3-NC3, C4-NO4-NC4	6 (4) A (100 000 cycles)
C8-NO8-NC8	6 (4) A (100 000 cycles)
Sensor inputs	Analog inputs AI1-AI8
Compatible sensors	NTC15k (15 kOhm @ 25 °C) (standard) NTC10k (10 kOhm @ 25 °C) NTC5k (5 kOhm @ 25 °C) NTC2k (2 kOhm @ 25 °C) NTC100 (100 kOhm @ 25 °C) NTC16k (16,7 kOhm @ 100 °C) PT1000 (1000 Ohm @ 0 °C)
Digital inputs	DI1-DI8, voltage free contacts, on/off inputs
Connection specification	Grouped screws plug-in connectors
Cable specification for connectors terminals	0,2-2,5 mm <sup>2</sup>
Battery back-up time, min.	48 hours
Ball pressure test	125 °C
Pollution degree	2 (domestic use)
Controller type	1 C
Operating temperatures and conditions	CE: -20T60 / UL: 0T55, 90% RH non-condensing
Storage temperature and conditions	-30T85, 90% RH non-condensing
IP class	IP40 only on the front cover
Protection class	Class II - □
Immunity against voltage surges	Over Voltage Category II
Dimensions (H/W/D), DIN dimension :	110(122) x 138 x 70 mm, 8 DIN modules
Mounting method	DIN rail, complying with EN 60715
Weight, net	511 g
Menu languages:	EN
Base controller	Danfoss MCX08M2\
Software class	A

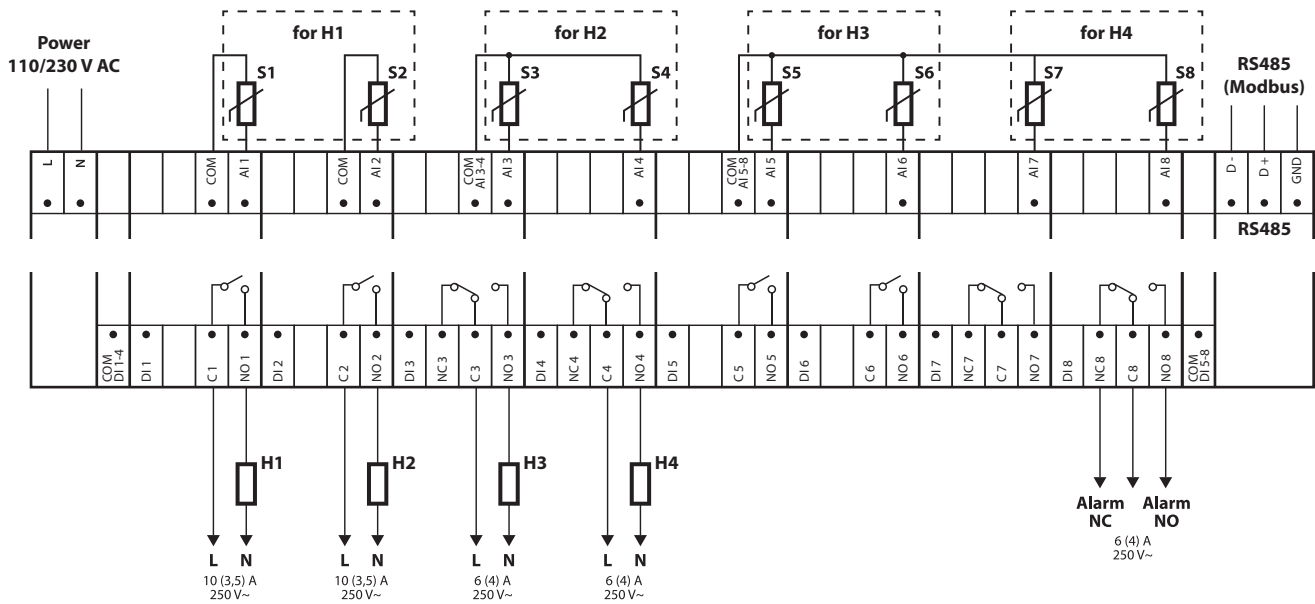
### DEVIreg™ Hotwater + 2 sensor NTC 15kOhm

Item no.	Product name	Type	EAN no.
140F1133	DEVIreg™ Hotwater	Programmable controller with 2 Wire sensor NTC 15 kOhm at 25 °C, 3 m	5703466249680

### Accessories

Item no.	Product name	Description	EAN no.
140F1091	Sensor 3 m, 15 kOhm, Santropene	Wire sensor, 2x0,75 mm <sup>2</sup> , NTC 15 kOhm at 25 °C, Ø5x18 mm, black Santropene (TPV), IP 67	5703466209301
140F1098	Temperature Sensor 10 m NTC 15k Santropene		5703466210734
19121445	Sensor cable 40 m, 15 kOhm, Santropene		5703466115015
140F1092	Outdoor sensor 2,5 m, 15 kOhm, PVC	Wire sensor, 2x0,75 mm <sup>2</sup> , NTC 15 kOhm at 25 °C, Ø8 mm, white PVC outer sheath, IP 67	5703466209318
140F1097	Silicon sensor for DEVireg™ 330 (60-160°C), NTC 16,7 kOhm @ 100°C	Wire silicon sensor, 2,5 m, 2x0,75 mm <sup>2</sup> , NTC 16,7 kOhm at 100 °C, IP 65	5703466209707

### Connection scheme DEVireg™ Hotwater



S - temperature Sensor;

## DEVIreg™ 330



**DEVIreg™ 330** is a line of simple electronic thermostats to be installed in electric cabinets with DIN rail attachment. To measure and control the desired temperature either a wire sensor (in the set) or an external indoor/outdoor air sensor must be used. The thermostat must be installed via an all-pole disconnection switch. It has a LED indicating showing standby (green light) and heating (red light) periods.


DEVIreg™ 330 has a relay with 2 contact pairs - NO (normally opened) and NC (normally closed), and are supposed to be used for heating and cooling systems. Additionally, NO and NC contact pairs are not wetted by a voltage source inside the thermostats, and can be used for control systems with any voltage up to 250 V.

The series is designed with thermostats in three temperature range.

**DEVIreg™ 330 (-10 - +10°C)** is used primarily for controlling a lower temperature range such as frost protection. This thermostat has a button to adjust the temperature setting with a scale from -10 °C to +10 °C. Special outdoor white wire sensor included in a set.

**DEVIreg™ 330 (5 - 45°C)** is used primarily for controlling lower temperature range such as frost protection and for cooling, Comfort Floor Heating, Total (Direct) Floor Heating, Ice and Snow Melting on Ground, Frost Protection on Roofs, Pipe Tracing, etc. The thermostat has a button to adjust the temperature setting with a scale from 5 °C to 45 °C. This type has temperature lowering in economy periods mode by using external timer.

**DEVIreg™ 330 (60 - 160°C)** is used primarily for high temperature maintenance in pipe heating systems. The thermostat has a button to adjust the temperature setting with a scale from 60 °C to 160 °C. Special high temperature silicon wire sensor in a set.

<b>Benefits:</b> <ul style="list-style-type: none"> <li>• For DINrail mounting</li> <li>• Low temperature area</li> <li>• Low standby consumption</li> <li>• LED indicator</li> </ul> <b>Standard compliance:</b> <ul style="list-style-type: none"> <li>• EN/IEC 60730-1 (general)</li> <li>• EN/IEC 60730-2-9 (thermostat)</li> </ul> <b>Approvals:</b> 	Type	Value
	Operation voltage	220 - 240 V, 50/60 Hz
	Standby power consumption	Max. 0,25 W
	Resistive load	Max 16 A (3680 W) @ 230 V
	Inductive load	Max. 1 A, cos φ = 0,3
	Ambient temperature	-10 °C to +50 °C
	Cable specification max	1 x 4 mm <sup>2</sup> or 2 x 2,5 mm <sup>2</sup>
	Storage temperature	-20 °C to +65 °C
	IP class	20
	Protection class	Class II - <input type="checkbox"/>
Dimensions (H/W/D)	85 x 36 x 58 mm	
Weight	83 g	

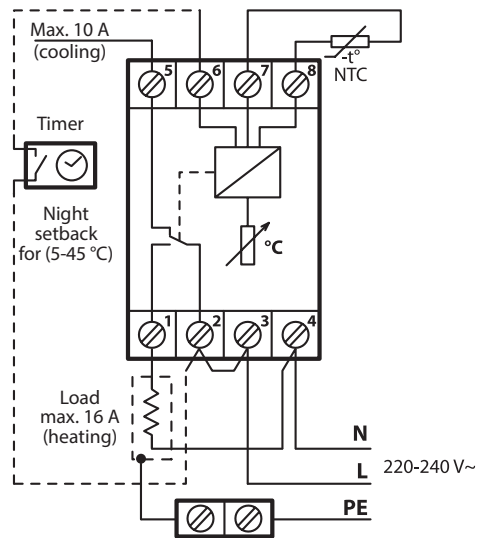
### Types

Item no.	Product name	Temp. range	Sensor type	Night setback	Hysteresis	Marking	EAN no.
140F1072	<b>DEVIreg™ 330 (5 - 45 °C)</b>	5 °C to 45 °C	Wire sensor, 3 m, NTC 15 kOhm at 25 °C	5 °C	± 0,2 °C	D330	5703466209226
140F1070	<b>DEVIreg™ 330 (-10 - +10 °C)</b>	-10 °C to +10 °C	Wire sensor, 3 m, NTC 15 kOhm at 25 °C	-	± 0,2 °C	D330	5703466209219
140F1073	<b>DEVIreg™ 330 (60 - 160 °C)</b>	60 °C to 160 °C	Wire sensor, silicone, 2,5 m, NTC 16,7 kOhm at 100 °C	-	± 0,4 °C	D330	5703466209233

### Accessories

Item no.	Product name	Description	EAN no.
140F1095	<b>Room sensor, 426-frame</b>	85 x 85 x 30 mm, NTC 15 kOhm at 25 °C, IP 20	5703466209684
140F1096	<b>Outdoor sensor IP44</b>	80 x 50 x 35 mm, NTC 15 kOhm at 25 °C, IP 44	5703466209691
140F1091	<b>Sensor cable 3 m, 15 kOhm, Santropene</b>	Wire sensor, 2x0,75 mm <sup>2</sup> , NTC 15 kOhm at 25 °C, Ø5 mm, black Santropene (TPV) outer sheath, IP 67	5703466209301
140F1098	<b>Temperature Sensor 10 m NTC 15k Santropene</b>		5703466210734
19121445	<b>Sensor cable 40 m, 15 kOhm, Santropene</b>		5703466115015
140F1092	<b>Outdoor sensor 2,5 m, 15 kOhm, PVC</b>	Wire sensor, 2x0,75 mm <sup>2</sup> , NTC 15 kOhm at 25 °C, Ø8 mm, white PVC outer sheath, IP 67	5703466209318
140F1097	<b>Silicon temperature sensor for DEVIreg™ 330 (60-160°C), NTC 16,7 kOhm @ 100°C</b>	Wire sensor, 2,5 m, 2x0,75 mm <sup>2</sup> , NTC 16,7 kOhm at 100 °C, IP 65	5703466209707

**Connection scheme**



DEVIreg™ 330 (5 - 45 °C)



DEVIreg™ 330 (-10 - +10 °C)



DEVIreg™ 330 (60 - 160 °C)





## DEVIreg™ 316



The **DEVIreg™ 316** is a simple electronic thermostat with enhanced functionality which can be installed in electric cabinets with DIN rail attachment. The thermostat is mainly used for frost protection on roofs, in gutters and downpipes. Additionally it can be used to control room and floor temperature, ventilation, cooling or to the control of snow melting on ground, pipe tracing and similar installations. The main features of the thermostat is temperature range mode – with setting both an upper and a lower temperatures in between which the thermostat allows the system to heat. This mode is used primarily for controlling Frost Protection systems on roofs, in gutters and downpipes (an external outdoor air sensor must be used).

The thermostat is equipped with 2 additional buttons to adjust the hysteresis and the temperature value for levering in economy periods (an external timer must be used).

The thermostat has relay with 2 contact pairs - NO (normally opened) and NC (normally closed), and it is supposed to use thermostat for heating and cooling systems. Additionally NO and NC contact pairs are not wetted by a voltage source inside thermostat and can be used for control systems with any voltage up to 250 V.

It is designed so that the sensor circuit is galvanically separated from the high voltage part.

### Benefits:

- Night set-back
- Minimum temperature limiter
- Adjustable hysteresis
- DIN rail attachment
- Low standby consumption
- Large scope of application
- Protective separation

### Standard compliance:

- EN/IEC 60730-1 (general)
- EN/IEC 60730-2-9 (thermostat)

### Certificates:

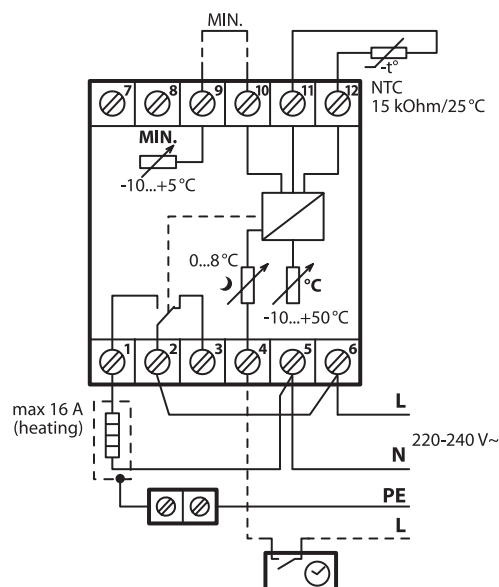


Type	Value
Operation voltage	220 - 240V~ 50/60 Hz
Standby power consumption	max. 0,25 W
Resistive load	Max. 16 A, 3680 W @ 230 V
Inductive load	max. 1 A, cos φ = 0,3
Hysteresis	0 °C to 6 °C
Ambient temperature	-10 °C to +45 °C
Lowering in economy periods	0 °C to 8 °C
Temperature range	-10 °C to +50 °C
Minimum temperature range	-10 °C to +5 °C
Controller type	1 B
Storage temperature	-20 °C to +65 °C
IP class	IP 30
Protection class	Class II - <input type="checkbox"/>
Dimensions (H/W/D)	85 x 52 x 58 mm
Weight	180 g
Marking	D316

### Types

Item no.	Product name	Temperature range	Sensor type	EAN no.
140F1075	DEVIreg™ 316	-10 °C to +50 °C	Wire sensor, 3 m, NTC 15 kOhm at 25 °C	5703466209240

### Thermostat connection scheme



## DEVIreg™ 610

The DEVIreg™ 610 is an electronic IP44, 10 Amps thermostat, suitable for many different purposes both indoor and outdoor applications. It is provided with a 2-pole switch and a wire sensor to control the desired temperature.

The thermostat has a button for adjusting the temperature setting with a scale from -10 °C to +50 °C, and a LED indicating the current mode (heating, standby or fault).

It is water resistant and can be mounted on any plain surface indoor or outdoor.



### Benefits:

- ON/OFF switch
- Terminals for NO/NC connection
- LED indicator
- Mounts directly onto plain surfaces
- Low energy consumption
- IP44

### Standard compliance:

- EN/IEC 60730-1 (general)
- EN/IEC 60730-2-9 (thermostat)

### Approvals:

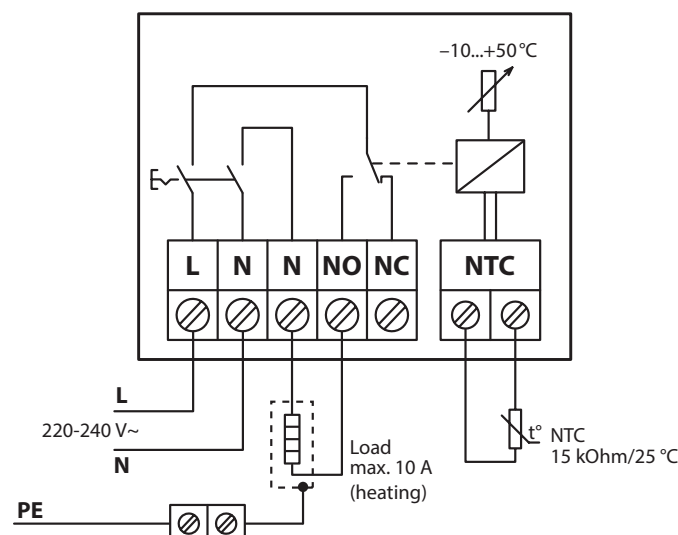


Type	Value
Operation voltage	220 V - 240 V, 50/60 Hz
Standby power consumption	max. 0,93 W
Relay:	
Resistive load	Max 10 A (2300 W) @ 230V
Inductive load	Max. 1A, Cos Φ = 0,3
Sensing unit	NTC 15 kOhm at 25 °C
Hysteresis	± 0,2 °C
Ambient temperature	-30 °C to +55 °C
Temperature range	-10 °C to +50 °C
Cable specification max	1 x 4 mm <sup>2</sup> or 2 x 2,5 mm <sup>2</sup>
Ball pressure test temperature	75°C
Pollution degree	2 (domestic use)
Controller type	1 C
Storage temperature	-20°C to +65°C
IP class	IP 44
Protection class	Class II - <input type="checkbox"/>
Dimensions (H/W/D)	100 mm x 69,5 mm x 45 mm
Weight	165 g

### Types

Item no.	Product name	Type	EAN no.
140F1080	DEVIreg™ 610	Temp. range -10 °C/+50 °C incl. wire sensors	5703466209257

### Thermostat connection scheme



**IMPORTANT:** When the thermostat is used to control a floor heating element in connection with a wooden floor or similar material, always use a floor sensor and never set the maximum floor temperature to more than 35°C.



## DEVIreg™ Multi

**DEVIreg™ Multi** is 7 channel electronic programmable controller to be installed on DIN rail. Every channel can be individually set up with three control modes – with temperature sensor, time proportional power regulation without sensor and manually on/off with time limitation. Channels inputs can be selected via software between 8 types of temperature sensors including NTC 15 kOhm at 25°C. Modbus RS485 opto-insulated serial interface gives possibility for BMS control.

**DEVIreg™ Multi** has some special functions which can be programmed for every channel: relay status - opened or closed correspondently to 'Heating On' mode, channel activation or deactivation, sensor failure alarm, min and max temperatures alarm, cable failure monitoring, relay test, channel on/off, relay cycles calculator, etc.

### Benefits:

- 7 independent channels
- 3 control modes:
  - with temperature sensor
  - time proportional regulation
  - manually on/off
- Heating or cooling control
- Compatible with 8 sensors types
- Accurate temperature control
- Alarm functions
- Cable failure monitoring
- Multilanguage menu
- Graphic LCD display
- BMS control
- Dimensions 8 DIN modules

### Standard compliance:

- Low Voltage Directive 2014/35/EU
- EMC Directive 2014/30/EU
- EN/IEC 60730-1 + EN/IEC 60730-2-9

### Certificates:



Type	Value
Nominal voltage	110/230 V AC, 50–60 Hz
Power consumption, max.	20 V A
Relay resistive (inductive, cos(phi) = 0,6) load:	
Total current load limit	32 A
C1-NO1, C2-NO2	10 (3,5) A (100 000 cycles)
C5-NO5, C6-NO6	6 (4) A (100 000 cycles)
C3-NO3-NC3, C4-NO4-NC4	6 (4) A (100 000 cycles)
C7-NO7-NC7, C8-NO8-NC8	6 (4) A (100 000 cycles)
Sensor inputs	Analog inputs AI1-AI8
Sensing unit	Temperature sensors separately selectable via software at analog inputs AI1-AI7 between: NTC15k (15 kOhm @ 25 °C) NTC10k (10 kOhm @ 25 °C) NTC5k (5 kOhm @ 25 °C) NTC2k (2 kOhm @ 25 °C) NTC100 (100 kOhm @ 25 °C) NTC16k (16,7 kOhm @ 100 °C) PT1000 (1000 Ohm @ 0 °C) Ni100 (100 Ohm @ 0 °C)
Sensor failure monitoring	Disconnected or short-circuited sensor
Digital inputs	DI1-DI8, voltage free contacts, on/off inputs
Connection specification	Grouped screws plug-in connectors, pitch 5 mm
Cable specification for connectors terminals	Section cable 0,2-2,5 mm <sup>2</sup>
Battery back-up time, min.	48 hours
Ball pressure test	125 °C according to IEC 60730-1
Pollution degree	2 (domestic use)
Controller type	1 C
Operating temperatures and conditions	CE: -20T60 / UL: 0T55, 90% RH non-condensing
Storage temperature and conditions	-30T85, 90% RH non-condensing
IP class	IP40 only on the front cover
Protection class	Class II - □
Immunity against voltage surges	Designed for Over Voltage Category II
Dimensions (H/W/D), DIN dimension :	110(122) x 138 x 70 mm, 8 DIN modules
Mounting method	DIN rail, complying with EN 60715
Weight, net	511 g
Menu languages:	v01.7: EN, PL, RU, UA
Base controller	Danfoss MCX08M2, item no. 080G0307
Software class	A

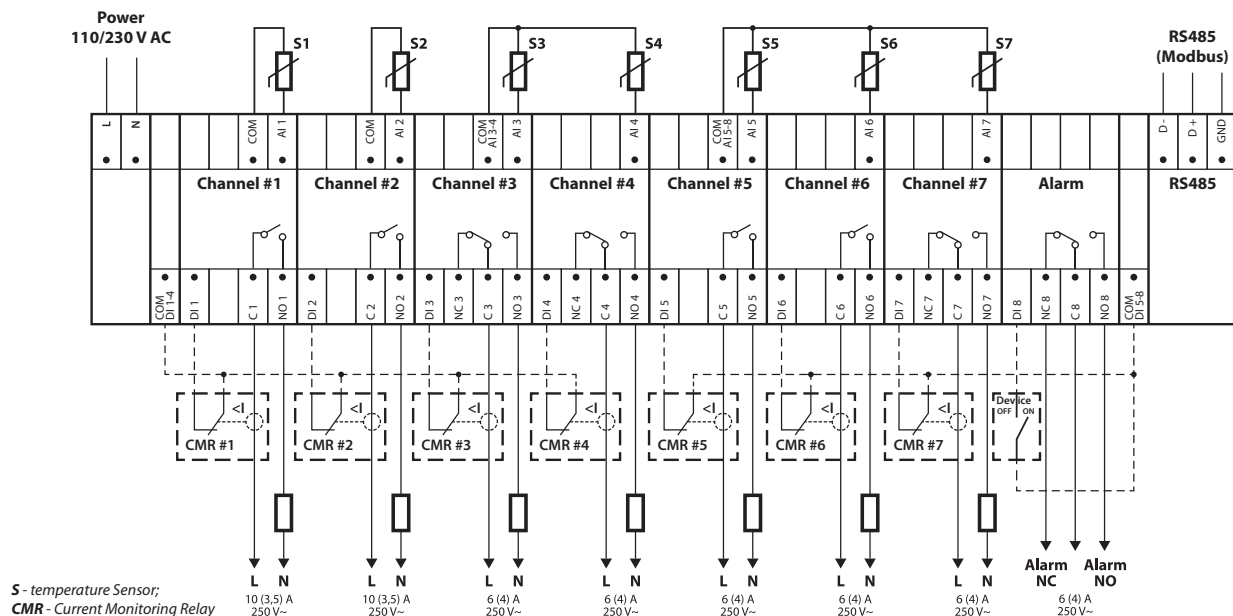
### Types: set DEVIreg™ Multi + 1 sensor NTC 15kOhm

Item no.	Product name	Type	EAN no.
140F1139	<b>DEVIreg™ Multi</b>	Programmable controller with Wire sensor NTC 15 kOhm at 25 °C, 3 m	5703466248560

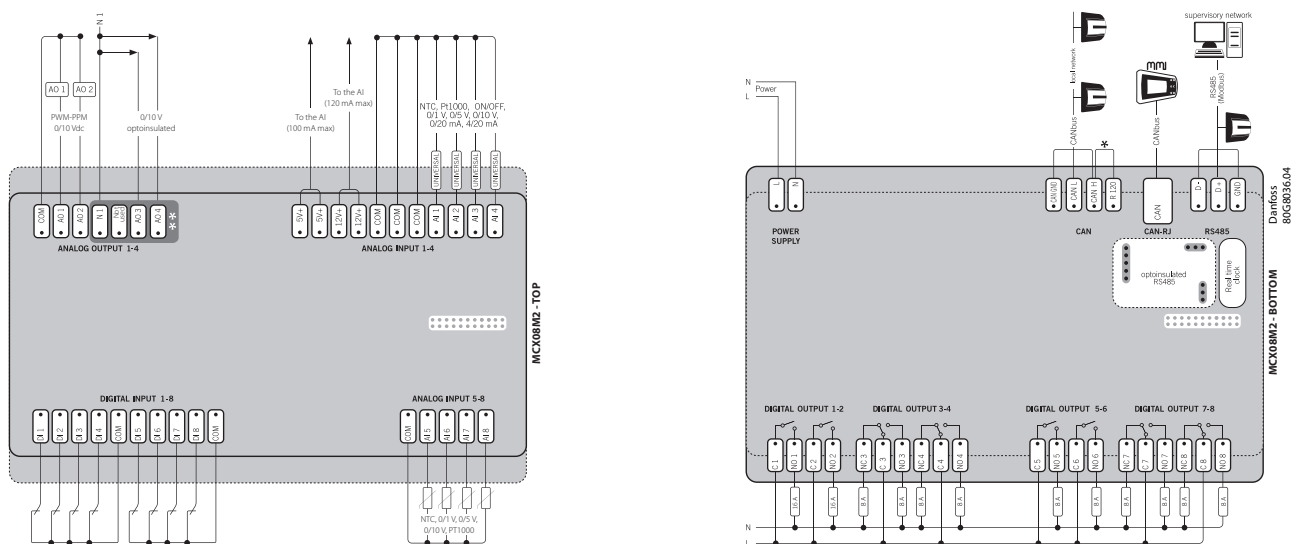
### Accessories

Item no.	Product name	Description	EAN no.
140F1095	<b>Room sensor, 426-frame</b>	85 x 85 x 30 mm, NTC 15 kOhm at 25 °C, IP 20	5703466209684
140F1096	<b>Outdoor sensor IP44</b>	80 x 50 x 35 mm, NTC 15 kOhm at 25 °C, IP 44	5703466209691
140F1091	<b>Sensor 3 m, 15 kOhm, Santropene</b>	Wire sensor, 2x0,75 mm <sup>2</sup> , NTC 15 kOhm at 25 °C, Ø5x18 mm, black Santropene (TPV), IP 67	5703466209301
140F1098	<b>Temperature Sensor 10 m NTC 15k Santropene</b>		5703466210734
19121445	<b>Sensor cable 40 m, 15 kOhm, Santropene</b>		5703466115015
140F1092	<b>Outdoor sensor 2,5 m, 15 kOhm, PVC</b>		5703466209318
140F1097	<b>Silicon sensor for DEVireg™ 330 (60-160°C), NTC 16,7 kOhm @ 100°C</b>	Wire silicon sensor, 2,5 m, 2x0,75 mm <sup>2</sup> , NTC 16,7 kOhm at 100 °C, IP 65	5703466209707
084N3209	<b>Sensor EKS 221 NTC 10K 8,5m cable</b>	Wire sensor, NTC 10 kOhm at 25 °C, Ø6x15 mm, IP 67	5702428171960
084N3210	<b>Sensor EKS 221 NTC 10K 3,5m cable</b>		5702428171960
084N1221	<b>Sensor EKS 211 NTC 5000</b>	Wire sensor, 3,5 m cable, NTC 5 kOhm at 25 °C, Ø8x30 mm, IP 67	5702428099431
084Z6039	<b>Sensor MBT 153-2200-0350</b>	Wire sensor, 3,5 m cable, PT 1000 kOhm at 0 °C, Ø5,7x40 mm, IP 67	5702423151431
080G0180	<b>ACCCNX Connectors MCX-08M</b>	Screws plug-in connectors set for MCX-08M	5702423284696

### Connection scheme DEVireg™ Multi



### General MCX08M2 controller connection diagram



## DEVIreg™ 850 IV



The DEVIreg™ 850 version IV is an advanced thermostat with LED display used for outdoor ground or roof applications. The sensors provide information about both moisture level and temperature, resulting in an optimal control of the heating system.

The DEVIreg™ 850 IV can handle up to 2 independent areas, in any of the following combinations:

- Single system for roof or ground (1 system, 1–4 sensors).
- Combination system: 1 ground system and 1 roof system (2 systems, 2–4 sensors total, min. 1 sensor per system).
- Dual system: either 2 roof systems or 2 ground systems (2 systems, 2–4 sensors total, min. 1 sensor per system).

In the dual / combination systems it is possible to prioritize between the zones, e.g. if only a limited power output is available.

Benefits:	Type	Value
<ul style="list-style-type: none"> <li>• Single, combination or dual zones</li> <li>• Up to 4 sensors</li> <li>• Moisture and temperature sensing</li> <li>• Self diagnosing programme</li> <li>• Safety level adjustment</li> <li>• Alarm function</li> </ul>	Operation voltage: PSU 24 VDC DEVIreg™ 850 IV	180–250 VAC, 50–60 Hz / 24 VDC 24 VDC ±10%
	Power consumption, max.: DEVIreg™ 850 IV Roof sensor Ground sensor	3 W 8 W (each) 13 W (each)
	Relay resistive load, max.: System A / B relay Alarm relay Inductive load each relay, max.	15 A (3450 W) @ 230 V 2 A @ 230 V 1 A @ 230 V, power factor 0,3
	Sensing unit	DEVIbus™ connected moisture sensor(s)
	Cable specification for terminals max.	1 x 4 mm <sup>2</sup> or 2 x 2,5 mm <sup>2</sup>
<b>Standard compliance:</b> <ul style="list-style-type: none"> <li>• EN/IEC 60730-1 (general)</li> <li>• EN/IEC 60730-2-9 (thermostat)</li> </ul>	Ball pressure test temperature	75 °C
	Pollution degree	2 (domestic use)
	Controller type	1 C
	Storage temperature	-20 °C to +65 °C
	IP class	IP 20
<b>Approvals:</b> 	Protection class	Class II - <input type="checkbox"/>
	Dimensions (H/W/D): PSU 24 VDC DEVIreg™ 850 IV	85 x 73 x 53 mm 85 x 105 x 53 mm
	Mounting method	DIN rail
	Weight	720 g
	Versions (languages)	Latin: GB, CZ, DE, DK, ES, EST, FI, FR, HR, HU, LT, LV, NL, NO, PL, SCG, SE, SI, SK, TR. Cyrillic: GB, BG, RO, RU.

### Types

Item no.	Product name	Type	Size, mm	Ambient temperature	EAN no.
140F1084	<b>DEVIreg™ 850 IV Cyrillic with PSU</b>	Without sensors, Cyrillic languages	85 x 105 x 53	-10...+50 °C	5703466210833
140F1085	<b>DEVIreg™ 850 IV Latin with PSU</b>	Without sensors, Latin languages	85 x 105 x 53	-10...+50 °C	5703466209264

### Accessories

Item no.	Product name	Type	Size, mm	Ambient temperature	EAN no.
140F1086	<b>Roof sensor for DEVIreg™ 850</b>	For DEVIreg™ 850, with sensor tube, cable - 15 m	15 x 24 x 216	-50...+70 °C	5703466209271
140F1087	<b>Ground sensor for DEVIreg™ 850, 2 pcs.</b>	For DEVIreg™ 850, with sensor tube, cable - 15 m	∅ 93 x 98	-30...+70 °C	5703466209288
140F1088	<b>Ground sensor for DEVIreg™ 850, 1 pc.</b>	For DEVIreg™ 850, cable - 15 m	∅ 93 x 98	-30...+70 °C	5703466209714
140F1089	<b>Power Supply Unit</b>	PSU CP-D 24/2.5 100-240VAC/24VDC DINrail	85 x 73 x 53	-10...+40 °C	5703466209721
19119977	<b>Sensor tube and cap</b>	For Outdoor Sensor DEVIreg™ 850	∅ 93 x 98	-30...+70 °C	5703466208359



DEVIreg™ 850 IV with PSU



Roof sensor

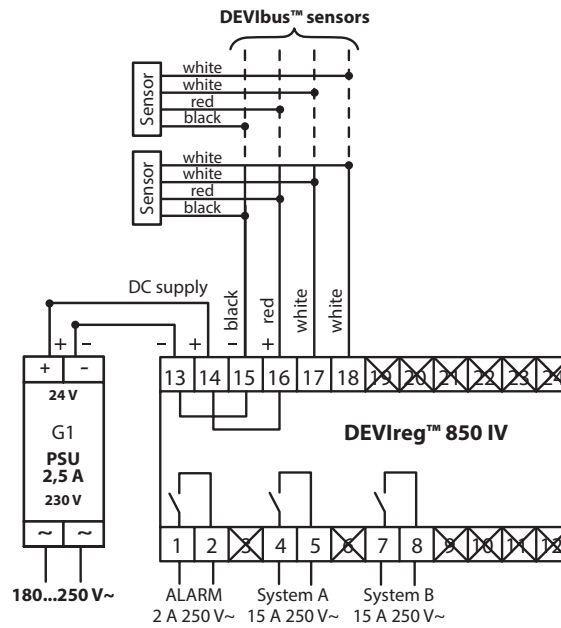


Ground sensor



Sensor tube and cup for Ground sensor

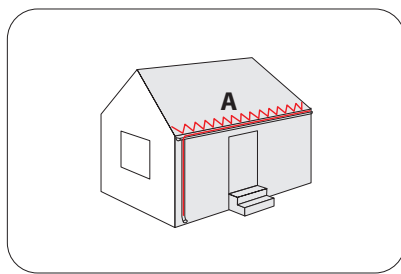
### Connection scheme DEVIreg™ 850 IV



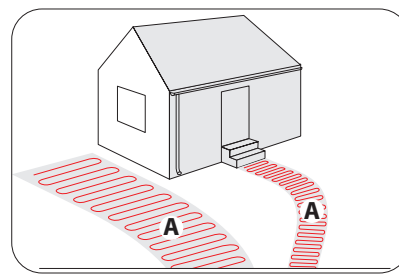
### System configurations

Zone support saves energy

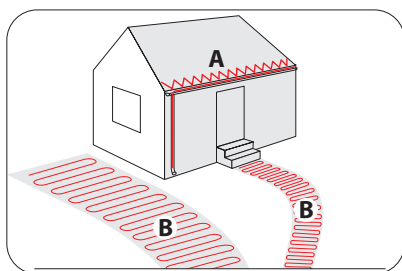
DEVIreg™ 850 lets you divide your area in to 2 zones, e.g. a North and South side. In this way it is possible to save energy, when the South side is free of ice and snow faster because of the heat from the sun.



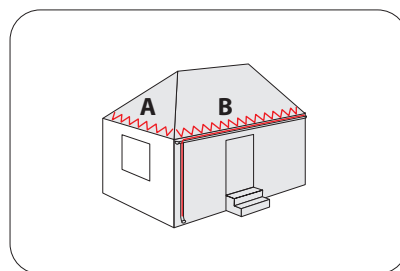
Single zone system for roofs  
(system A)



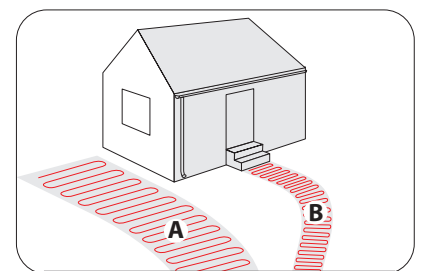
Single zone system for ground  
(system A)



Combined system -  
one zone for roof (system A),  
one zone for ground (system B)



Two zone system for roofs  
(systems A and B)



Two zone system for ground  
(systems A and B)



## Thermostat range for Indoor applications

	<b>DEVIreg™ hotwater</b>	Domestic hot water	C1-N01, C2-N02, 10 (3,5) A, C3-N03-NC3, C4-N04-NC4 6 (4) A, C8-N08-NC8 6 (4) A	Wire	0...1,00 °C	On/Off, BMS	Digital	-	-	Yes	Yes	-	Yes	DIN rail	2
	<b>DEVIreg™ Smart</b>	Comfort heating, Total heating	16 A (3680 W)	Room + Floor	5...35 °C (Room) 5...45 °C (Floor)	Pulse Width Modulation	Touch screen	Yes	Yes	Yes	Intelligent/Simple	Design frame or frame 55 x 55 mm	Yes	IP 21	5
	<b>DEVIreg™ Touch</b>	Comfort heating, Total heating	16 A (3680 W)	Room + Floor	5...35 °C (Room) 5...45 °C (Floor)	Pulse Width Modulation	Touch screen	-	Yes	Yes	Intelligent/Simple	Design frame or frame 55 x 55 mm	Yes	IP 21	5
	<b>DEVIreg™ Opti</b>	Comfort heating, Total heating	13 A (2990 W)	Room + Floor	5...35 °C (Room) 5...45 °C (Floor)	Pulse Width Modulation	Digital	-	Yes	Yes	Simple	-	-	IP 21	2
	<b>DEVIreg™ 532</b>	Total heating	15 A (3450 W)	Room + Floor	5...35 °C (Room) 20...50 °C (Floor)	On/Off	-	-	-	Yes	-	ELKO*, JUSSI	-	IP 31	2
	<b>DEVIreg™ 531</b>	Total heating	15 A (3450 W)	Room	5...35 °C	On/Off	-	-	-	Yes	-	ELKO*, JUSSI	-	IP 31	2
	<b>DEVIreg™ 530</b>	Comfort heating	15 A (3450 W)	Floor	5...45 °C	On/Off	-	-	-	Yes	-	ELKO*, ELJO, JUSSI	-	IP 31	2
	<b>DEVIreg™ 530M</b>	Comfort heating	15 A (3450 W)	Floor	5...35 °C	On/Off	-	-	-	Yes	-	ELKO	-	IP 31	2
	<b>DEVIreg™ 132</b>	Total heating	16 A (3680 W)	Room + Floor	5...35 °C (Room) 20...50 °C (Floor)	On/Off	-	-	-	-	-	-	-	IP 30	2
	<b>DEVIreg™ 130</b>	Comfort heating, Ground melting, Pipe frost protection	16 A (3680 W)	Floor	5...45 °C	On/Off	-	-	-	-	-	-	-	IP 30	2
<b>Applications</b>															
<b>Resistive, max. at 230 V</b>															
<b>Sensor type</b>															
<b>Temperature range</b>															
<b>Regulation type</b>															
<b>Display type</b>															
<b>Wi-Fi + App</b>															
<b>Eco directive compliant</b>															
<b>Sensor failure monitoring</b>															
<b>Timer</b>															
<b>Frame</b> *show in the pictures															
<b>Multi-sensor compatibility</b>															
<b>IP class</b>															
<b>Installation</b>															
<b>Warranty, years</b>															



## Thermostat range for Outdoor applications

	<b>DEVIreg™ Multi</b>	Pipe frost protection, Ground ice & snow melting, Sport fields, Cold Stores	C1-NO1, C2-NO2 10 (3.5) A, C5-NO5, C6-NO6 6 (4) A, C3-NO3-NC3, C4-NO4-NC4 6 (4) A, C7-NO7-NC7, C8-NO8-NC8 6 (4) A	Wire / Room optional	-50...+200 °C	On/Off; BMS	±0.4 °C	±0.2 °C to ±6 °C	Three-contact, NO/NC	Yes	Digital	Yes	Yes	IP40	DIN rail	2
	<b>DEVIreg™ 850</b>	Ground ice & snow melting, Roof frost protection	2 x Max 15 A (3450 W)	Ground and Roof: moisture + temperature	-10...+50 °C	On/Off	-	±0.2 °C	3 x NO	Yes	Digital	Yes	-	IP 20	DIN rail	2
	<b>DEVIreg™ 610</b>	Pipe frost protection, Ground ice & snow melting	Max 10 A (2300 W)	Wire	-10...+50 °C	On/Off	-	±0.2 °C	Three-contact, NO/NC	-	-	-	-	IP 44	On-wall/On pipe	2
	<b>DEVIreg™ 316</b>	Pipe frost protection, Roof frost protection	Max 16 A (3680 W)	Wire / Outdoor IP44 optional	-10...+50 °C	On/Off	0...8 °C	±0.2...6 °C	Three-contact, NO/NC	Yes	-	-	-	IP 30	DIN rail	2
	<b>DEVIreg™ 330 (60...160 °C)</b>	High temp. heating	Max 16 A (3680 W)	Wire	60...160 °C	On/Off	-	±0.4 °C	Three-contact, NO/NC	Yes	-	-	-	IP 20	DIN rail	2
	<b>DEVIreg™ 330 (-10...+10 °C)</b>	Pipe frost protection, Cold store protection, Sport fields	Max 16 A (3680 W)	Wire	-10...+10 °C	On/Off	-	±0.2 °C	Three-contact, NO/NC	Yes	-	-	-	IP 20	DIN rail	2
	<b>DEVIreg™ 330 (5...45 °C)</b>	Comfort heating, Total heating, Pipe frost protection, Ground ice & snow melting, Sport fields	Max 16 A (3680 W)	Wire / Room optional	5...45 °C	On/Off	Decrease by 5 °C	±0.2 °C	NO/NC, three-contact	Yes	-	-	-	IP 20	DIN rail	2
<b>Applications</b>																
<b>Resistive load, max. at 230 V</b>																
<b>Sensor type</b>																
<b>Temperature range</b>																
<b>Regulation type</b>																
<b>Economy mode</b>																
<b>Hysteresis</b>																
<b>Relay type</b>																
<b>Dry contact</b>																
<b>Display type</b>																
<b>Sensor failure monitoring</b>																
<b>Programmable timer</b>																
<b>IP class</b>																
<b>Installation</b>																
<b>Warranty, years</b>																





## DEVItemp™ Fan Heater

The DEVItemp™ fan heater is a complete portable heating system that provides a temporary but efficient heating solution. The fan heater is designed to withstand heat and cold, damp and heavy use on construction sites.

The built-in thermostat ensures that the required temperature remains constant, while keeping electricity consumption as low as possible. The fan heater can be used as a portable heater or be permanently installed.

### Benefits:

- Rugged construction
- Corrosion-resistant
- Portable or permanent installation
- Easy regulation, five-step control unit for airflow
- Thermostat to ensure required temperature remains constant
- IP Class 44

### Standard compliance:

- IEC60335-2-96

Type	Value
Timer thermostat	On types named "T" up to 24 hours presetting.
Adjustable thermostat	3 - 6 KW 0°C to 40°C. 9 - 21 KW 0°C to 40°C.
Safety thermostat	3 - 6 KW = 110°C. 9 - 21 KW = 160°C. 3 - 21 KW = 125°C.
IP Class	IP X4
Colour	RAL 7004

### Types

Item no.	Type	W x H x D [mm]	Volatage	K / W	m <sup>3</sup> / h	ΔT Temp. [°C]	Weight [kg]	dB	EAN no.
69810562	303T	410 x 435 x 420	230 V~	3	400 / 650	14 / 19	12.0	32 - 35	5703464010633
69810554	103T	410 x 435 x 420	3 x 400 V~	3	400 / 650	14 / 19	13.9	32 - 35	5703464010619
69811537	106T	410 x 435 x 420	3 x 400 V~	6	400 / 650	21 / 28	14.2	33 - 42	5703464010626
69812543	109T	410 x 435 x 420	3 x 400 V~	9	400 / 650	36 / 45	14.9	33 - 42	5703464010039
69812550	115S	505 x 540 x 510	3 x 500 V~	15	800 / 1400	26 / 30	23.6	42 - 52	5703466168196
69813509	115T	505 x 540 x 510	3 x 400 V~	15	800 / 1400	26 / 30	23.6	42 - 52	5703464003437
69814515	121T	505 x 540 x 510	3 x 400 V~	21	800 / 1400	36.5 / 42	25.7	42 - 52	5703464008432

### Accessories

Item no.	Type	Specification	EAN no.
19400514	Wall mounting kit	For DEVItemp™ 303T, 103T, 106T, 109T	5703435010464
19400522	Wall mounting kit	For DEVItemp™ 115S, 115T, 121T	5703435010471



## DEVItronic™

DEVItronic™ anti-condensation heater provides the perfect solution to avoid condensation problems in shielded electrical installations like boards and control cabinets.

DEVItronic™ solves the problem with moisture and condense by increasing the temperature a few degrees above the surrounding temperature.

DEVItronic™ has a large surface and a low surface temperature, and thus the heating element will not damage print and plastic cabinets.

### Benefits:

- Rugged construction
- Corrosion-resistant
- IP Class 55

### Standard compliance:

- IEC 60335-1:2012
- IEC 60335-2-30:2009

### Approvals:



Type	Value
Temperature range	-40 °C to 45 °C
Cold lead	0,5 m
IP Class	IP 55

### Types

Item no.	Item	Type	Operation voltage	Effect @ 10 °C	H x W x D (mm)	Profile	EAN no.
60800075	DEVItronic™ 75 mm	PTC	12 - 48 V	15 W	75 x 72 x 57	Star-shape	5703435010532
60802071	DEVItronic™ 100 mm	PTC	12 - 48 V	20 W	100 x 116 x 33	Double	5703435010563
60802204	DEVItronic™ 250 mm	PTC	12 - 48 V	40 W	250 x 116 x 33	Double	5703435010594
60800109	DEVItronic™ 75 mm	PTC	110 - 240 V	15 W	75 x 72 x 57	Star-shape	5703435010549
60802105	DEVItronic™ 100 mm	PTC	110 - 240 V	20 W	100 x 116 x 33	Double	5703435010570
60802253	DEVItronic™ 250 mm	PTC	110 - 240 V	40 W	250 x 116 x 33	Double	5703435010600
60802113	DEVItronic™ 100 mm	PTC	220 - 440 V	20 W	100 x 116 x 33	Double	5703435010587
60802261	DEVItronic™ 250 mm	PTC	220 - 440 V	40 W	250 x 116 x 33	Double	5703435010617
60801156	DEVItronic™ with 50 dg termo, 145 mm	OHMSK	240 V	70 W	142 x 72 x 57	Star-shape	5703435010556
60802402	DEVItronic™ with 50 dg termo, 250 mm	OHMSK	240 V	100 W	250 x 116 x 33	Double	5703435010624
60802451	DEVItronic™ with 50 dg termo, 250 mm	OHMSK	240 V	160 W	250 x 116 x 33	Double	5703435011034



## DEVlrail™

## PHASE OUT

DEVlrail™ is a towel drier that is ideal for bathrooms, kitchens and utility rooms. It is also a great solution for hotels.

The towel drier is a low energy product that uses no more current than an ordinary light bulb.

The design of DEVlrail™ is simple and looks good with all kinds of interior design. It is available in three sizes in both chrome and white.

### Benefits:

- Low energy consumption
- Simple design
- Easy to install

### Standard compliance:

- EN 60335-1:2002
- EN 60335-2-43:2003

Type	V alue
Operation voltage	230 V~
Temperature rises of the surface without textiles	Max. 60 °C
IP Class	44
Protection class	Class II - <input type="checkbox"/>

### Types

Item no.	Type	Description	Wattage	EAN no.
98806151	DEVlrail™ H20C, with assembly kit	Chrome	20 W	5703464010275
98806144	DEVlrail™ H20H, with assembly kit	White	20 W	5703464010268
98804958	DEVlrail™ H40C , with assembly kit	Chrome	40 W	5703435010952
98804941	DEVlrail™ H40H, with assembly kit	White	40 W	5703435011027
98808157	DEVlrail™ H60C, with assembly kit	Chrome	60 W	5703464010305
98808140	DEVlrail™ H60H, with assembly kit	White	60 W	5703464010299

### Accessories

Item no.	Type	Description	EAN no.
98805013	Assembly kit towel rail, white	Assembly kit for towel rail, white	5703464006223
98805021	Assembly kit towel rail, chrome	Assembly kit for towel rail, chrome	5703464006230
98805195	Fitting towel rail, chrome	For support on the middle, especially for the 20 W and 60 W rails.	5703464010053
98805203	Fitting towel rail, white	For support on the middle, especially for the 20 W and 60 W rails.	5703464010060



DEVlrail™ H20H White



DEVlrail™ H40C Chrome



DEVlrail™ H60H White





*\*Available as long as stock lasts.*


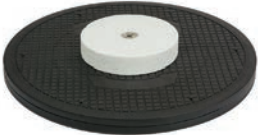
## Accessories and spare parts for cables and mats

Picture	Name	Description/Technical data		
<b>Fastening for down pipes</b>				
	<b>Cable fixing for down - pipe suspension 25 pcs.</b>	Dimentions Chain hole size	- 37 x 20 x 6 mm - 8 mm	Art. no. 19805258
			EAN no. 5703466003763	
	<b>Relief clip single for drain pipes</b>	Dimentions	- 35 x 10 x 10 mm	Art. no. 19406007
			EAN no. 5703466154229	
	<b>Relief clip for drain pipes</b>	Dimentions	- 50 x 10 x 10 mm	Art. no. 19406008
			EAN no. 5703435003015	
	<b>Entlastungsseil</b>	500 x 15 x 1 mm Cut-to-length		Art. no. 19406016
			EAN no. 5703435003022	
	<b>Longlinked chain 4 mm c4 x 32 din 5685 fzn</b>	Chain hole size Length	- 8 mm - 25m	Art. no. 19805241
			EAN no. 5703435003060	
	<b>Traverse v 2 a</b>	Dimentions	- 288 x 25 x 5 mm	Art. no. 19805449
			EAN no. 5703435003077	
<b>Fastening for roof and gutters</b>				
	<b>DEVIfast™ Metal 5 m In box</b>	Metal type is used for fastening heating cables and ensure the correct C-C distance. Width Material Cable C-C fixing	- 21 mm. - Galvanized metal. - in each 25 mm	Art. no. 19808234
	<b>DEVIfast™ Metal 25 m In box</b>		EAN no. 5703466214671	
			Art. no. 19808236	
			EAN no. 5703466214688	
	<b>DEVIfast™ Copper 25 m In box</b>	Copper type is used for fastening heating cables and ensure the correct C-C distance. Width Material Cable C-C fixing	- 21 mm. - Copper. - in each 25 mm	Art. no. 19808238
			EAN no. 5703466214695	

Picture	Name	Description/Technical data		
	<b>DEVIfast™ Double Special RB 25m</b>	Metal fixing tape for resistive heating cable. Cable types - Resistive Width - 50 mm Length - 25 m Fixing distance - 10 cm (on one side) Cable C-C distance - 30-35 mm Material - Galvanized steel	Art. no.	19808185
			EAN no.	5703466240397
	<b>DEVIfast™ Double for SLC RB 25m</b>	Metal fixing tape for self-limiting heating cables. Cable types - SLC and resistive Width - 65 mm Length - 25 m Fixing distance - 15 cm (on one side) Cable C-C distance - 40-45 mm (SLC) Material - Galvanized steel	Art. no.	19808183
			EAN no.	5703466240380
	<b>DEVIclip™ roofhook 25 pcs, installation kit</b>	Roofhook 25 pcs	Art. no.	19805192
			EAN no.	5703466134757
	<b>DEVIclip™ guardhook Install. kit 20+10+30</b>	Base Roof accessories - 20 pcs. Angle Roof accessories - 10 pcs. Cable Strip 7,6x203 mm, black - 30 pcs.	Art. no.	19805193
			EAN no.	5703466145470
	<b>Roof Gutter Clip with hinge bag 25 pcs</b>	Roof gutter clip 25 pcs.	Art. no.	140F1511
			EAN no.	5703466229897
<b>Fastening for floors</b>				
	<b>DEVIclip™ c-c</b>	1050 x 50 x 60 mm	Art. no.	19805220
			EAN no.	5703466173213
	<b>DEVIclip™ Twisto</b>	Plastic Bag with 1000 pcs.	Art. no.	19805236
			EAN no.	5703466172117
	<b>DEVIfast™ Metal 5 m In box</b>	Metal type is used for fastening heating cables and ensure the correct C-C distance. Width - 21 mm. Material - Galvanized metal. Cable C-C fixing - in each 25 mm	Art. no.	19808234
	<b>DEVIfast™ Metal 25 m In box</b>		EAN no.	5703466214671
			Art. no.	19808236
			EAN no.	5703466214688

Picture	Name	Description/Technical data		
	<b>Montagestege type ms 5,6-6,5 mm - 25mm</b>	980 x 10 x 10 mm	Art. no.	109030
			EAN no.	5703466134740
	<b>Montagestege type ms 6,6-8,0 mm - 25mm</b>	1000 x 10 x 10 mm	Art. no.	19805266
			EAN no.	5703435009222
	<b>Synthetic nail, 40 pcs. in box</b>	Box with 40 pcs.	Art. no.	19805907
			EAN no.	5703466249536
<b>DEVICell™ accessories</b>				
	<b>Flexkit for DEVICell™</b>	Package 170 x 250 x 20 mm	Art. no.	18055300
			EAN no.	5703466128893
	<b>EPS-Randplatten W25 DEVICell™ L100</b>	<b>Edge plates for DEVICell™</b>  Size 1000x250x15 mm Plastic type EPS Max working temp. 85 °C Deformation strength >120 kPa at 10% compression	Art. no.	00109200
			EAN no.	5703466194560
	<b>Connective clips for DEVICell™</b>	Connective plastic clips for mounting plate Devicell Dry	Art. no.	15992250
			EAN no.	5703466129340
<b>Cold leads</b>				
	<b>DTWK Cold lead 2x2.5mm<sup>2</sup> fullscrened</b>	Cold lead for DEVlasphalt™	Art. no.	140F0902
			EAN no.	5703466233344
	<b>DSWA Cold lead 1x1.5mm<sup>2</sup> w/screen</b>	Cold lead for DEVIbasic™	Art. no.	140F0903
			EAN no.	5703466233351
	<b>DSWA Cold lead 1x2.5mm<sup>2</sup> w/screen</b>	Cold lead for DEVIbasic™	Art. no.	140F0904
			EAN no.	5703466233368
	<b>DSWA Cold lead 1x4.0mm<sup>2</sup> w/screen</b>	Cold lead for DEVIbasic™	Art. no.	140F0905
			EAN no.	5703466233375
<b>DTWB Cold lead 2x1.0mm<sup>2</sup> w/screen</b>	Cold lead for DEVImat™, DEVIcomfort™	Art. no.	140F0906	
		EAN no.	5703466233382	
<b>DTCL Cold lead 3x1.5mm<sup>2</sup></b>	Cold lead for DEVIflex™, DEVIsafe™	Art. no.	140F0907	
		EAN no.	5703466233399	
<b>DTCL Cold lead 3x2.5mm<sup>2</sup></b>	Cold lead for DEVIflex™, DEVIsafe™	Art. no.	140F0908	
		EAN no.	5703466233405	

Picture	Name	Description/Technical data		
<b>Tapes</b>				
	<b>Acrylic coated cloth tape 15 mm x 50 m (Textilklebeband)</b>	Strong acrylic coated cloth tape for almost every application with high adhesion even on rough surfaces, e.g. for fixing cable to concrete or on pipe, insulating of wires, etc. Color gray Backing material acrylic-coated cloth Total thickness 310 µm Type of adhesive natural rubber Adhesion to steel 3.3 N/cm Elongation at break 13 % Tensile strength 100 N/cm Temperature resistance 130 °C (30 min) Mesh 145 count per inch <sup>2</sup> Producer type tesa® 4651	Art. no.	19405877
			EAN no.	5703435002971
	<b>Tape aluminium 38 mm x 50 m</b>	Self-adhesive, with 2-colour warning text, max. 75 °C Backing Aluminium foil Adhesive Waterbased Acrylic Liner Monosiliconized Paper Adhesion/Steel 8 N/ 38 mm Tensile strength 57,5 N/ 38 mm Total thickness 60 µm	Art. no.	19805076
			EAN no.	5703435003053
	<b>Tape aluminium 25 mm x 25 m</b>	Self-adhesive, with 2-colour warning text, max. 75 °C. Backing Aluminium foil Adhesive Waterbased Acrylic Liner Monosiliconized Paper Adhesion/Steel 8 N/ 25 mm Tensile strength 57,5 N/ 25 mm Total thickness 60 µm	Art. no.	19805078
			EAN no.	5703466130469
<b>Glue</b>				
	<b>Hotmelt gluesticks 25 pcs.</b>	170 x 250 x 20 mm	Art. no.	18055351
			EAN no.	5703466114940

Picture	Name	Description/Technical data		
<b>Tools</b>				
	<b>DEVI Continuity Tester - Little Buzzer - Continuity Alarm</b>	Simplify your installation process by using the Continuity Tester. The Continuity Tester is designed to monitor heating mats and/or cables during installation process and sounds an alarm if the heating element is cut or damaged. This allows an easy repair before the floor covering is laid. The device is battery powered with a set of batteries included. <b>Note</b> A continuity alarm does not replace that need for measuring and verifying the ohm and insulation resistances three times throughout the installation for warranty purposes.	Art. no.	19001220
			EAN no.	5703466161456
	<b>DEVI turntable™</b>	Ø400 x 70 mm	Art. no.	19805250
			EAN no.	5703466173220



## Resistive heating cables: crimp sets

Picture	Name	Description/Technical data		
<b>Connection/repair sets</b>				
	<b>DEVIcrimp™ repair-set DSVF 1-cond. For devimat</b>	<b>Connection/repair set for 1-conductor DEVIheat™, DEVIheat™ Sport 90S (DEVImat™ DSVF-90), 2 connections in the set.</b>  Package 170 x 230 x 20 mm	Art. no.	18055240
			EAN no.	5703435037980
	<b>DEVIcrimp™ rep-set DTVF/DTIF 2-cond mat</b>	<b>Connection/repair set for 2-conductor DEVIcomfort™ and DEVImat™, 2 connections in the set.</b>  Package 170 x 230 x 20 mm	Art. no.	18055510
			EAN no.	5703466074091
	<b>DEVIcrimp™ kit 1-cond. Assembly or repair gb/fi</b>	<b>Connection/repair set for 1-conductor DEVIbasic™, DEVIsport™, 2 connections in the set.</b>  Shrink tube 12/3 Black 20 cm - 1 pc. Shrink tube 12/3 Black 15 cm - 1 pc. CU-socket 14 cm - 2 pcs. Shrink tube 6/1,4 Black 4 cm - 2 pcs. Double tubular rivet 1,5-2,5 mm <sup>2</sup> - 2 pcs. Wire CU BLW 0.248 R/m 0,30 mm - 1 m	Art. no.	18055442
			EAN no.	5703466003435
	<b>DEVIcrimp™ CS-2C assembly kit dk 2-cond.</b>	<b>End termination repair set for 2-conductor cable DEVIflex™, DEVIsafe™, DEVIsnow™.</b>  Shrink tube 12/3 Black 10 cm - 1 pc. Shrink tube 6/1,4 Thin Black 4 cm - 1 pc. CU-socket 6 cm - 1 pc. Tubular rivet 0,5-1,0 mm <sup>2</sup> - 1 pc. Wire CU BLW 0.248 R/m 0,30mm - 1 m Package 170 x 230 x 20 mm	Art. no.	18055230
			EAN no.	5703466068991
	<b>DEVIcrimp™ for DEVIsnow™ (DTCE)</b>	<b>Connection/repair set with spacer for 2-conductor DEVIflex™, DEVIsafe™, DEVIsnow™.</b>  Shrink tube 19/5 Black 135 mm - 1 pc. Shrink tube 18/4,5 Clear 70 mm - 1 pc. Spacer FR PP - 1 pc. Double tubular rivet 1,5-2,5 mm <sup>2</sup> - 3 pcs.	Art. no.	18055249
			EAN no.	5703466199251
	<b>DEVIcrimp™ ass/repair kit 2-cond. CS-2A/CS-2B</b>	<b>Connection/repair set for 2-conductor DEVIflex™, DEVIsafe™ and DEVIsnow™, 2 connections in the set.</b>  Doubl. tubular rivet 0,5-1,0 mm <sup>2</sup> - 4 pcs. Shrink tube 6/1,4 Thin wall Black - 4 cm Double tubular rivet 1,5-2,5 mm <sup>2</sup> - 2 pcs. Shrink tube 12/3 Black - 0,4 m Shrink tube 6/1,4 Thin wall Black - 18 cm CU-socket - 0,3 m Wire CU BLW 0,248 R/m 0,30 mm K-200 16 kg - 0,64 m Shrink tube 19/5 Black with glue - 0,4 m DTWC 15 Halogen free 2x1,5 mm <sup>2</sup> w/screen - 0,3 m Tubular rivet 0,5-1,0 mm <sup>2</sup> - 1 pc.	Art. no.	18055350
			EAN no.	5703466003381








Picture	Name	Description/Technical data		
	<b>DEVIcrimp™ ass/repair kit 2-cond. for DEVlasphalt™ (DTIK)</b>	<b>Connection/repair set with spacer for 2-conductor DEVlasphalt™, 2 connections in the set.</b>  Shrink tube 20/6 HTC-SCM-HD Black 160 mm - 2 pcs. DTWK 25 cold tail - 0,3 m Shrink tube 18/4,5 Clear 70 mm - 2 pcs. Spacer PPS - 2 pcs. Double tubular rivet 1,5-2,5 mm <sup>2</sup> - 6 pcs.	Art. no.	18055355
			EAN no.	5703466195192
	<b>DEVIcrimp™ assembly set dk 4-cond. Type CS-4A</b>	<b>Assembly set for 4-conductor DEVImulti - set for 1 connection</b>  or 1 cold tail or 1 end muff. Shrink tube 19/5 Black 25 cm - 1 pc. Shrink tube 12/3 Black 15 cm - 1 pc. CU-stocking 25 cm - 1 pc. Double tubular rivet 1,5-2,5 mm <sup>2</sup> - 5 pcs. Shrink tube 6/1,4 Black 5 cm - 4 pcs. Wire CU 0,30 mm - 1 m	Art. no.	19805480
			EAN no.	5703466003824
	<b>DEVIcrimp™ assembly set dk 4-cond. Type CS-4B</b> <b>DEVIcrimp™ terminal set dk 4-cond. Type CS-4/1</b>	<b>Assembly set for 4-conductor DEVImulti - set for 2 connections</b>  1 cold tail and 1 end muff or 2 cold tails or 2 end muffs. Shrink tube 19/5 Black 25 cm - 2 pcs. Shrink tube 12/3 Black 15 cm - 2 pcs. CU-stocking 25 cm - 2 pcs. Double tubular rivet 1,5-2,5mm <sup>2</sup> - 10 pcs. Shrink tube 6/1,4 Black 5 cm - 8 pcs. Wire CU 0,30 mm - 1 m	Art. no.	19805712
			EAN no.	5703466003855
	<b>Repair kit cables 2 cond. Concrete/støbesæt gb/dk</b>	<b>Connection/repair set with compound for DEViflex™, DEVIsafe™, DEVIsnow™, DEVibasic™, DEVImulti™.</b>  Package 130 x 265 x 75 mm	Art. no.	19805704
			EAN no.	5703466003848





## Self-limiting heating cables: crimp sets



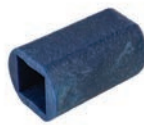






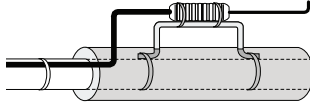
Picture	Name	Description/Technical data		
<b>Crimp sets for DEVpipeguard™ 30/60 Industry</b>				
	<b>Connection kit for DEVpipeguard™ 30/60 Industry (PT-30/60) heating cables</b>	With clamping block for the connection of cold lead and heating cable, shrink end-cap, shrink tubes, bitumen gaskets and ferrules. Shrinktube 33/5,5 Black no glue, 17 cm - 1 pc. Clamping block 5x2,5 mm <sup>2</sup> - 1 pc. Shrink end-cap 20/8, 75 mm - 1 pc. Shrinktube 12/3 Black, 2,5 cm - 1 pc. Shrinktube 16/3 yellow-green, 2,5 cm - 1 pc. Bitumen gasket 1,5x85x35 mm - 3 pcs. Wire end ferrule 1,5 mm <sup>2</sup> - 2 pcs. Wire end ferrule 2,5 mm <sup>2</sup> - 1 pc.	Art. no.	00109007
			EAN no.	5703466167397
	<b>Connection kit for DEVpipeguard™ 30/60 Industry (PT-30/60) heating cables</b>	<b>For mounting in connection box with crew connections. With cable gland M20x1,5 with locknut, shrink end-cap, shrink tubes, bitumen gasket and ferrules.</b>  Shrink end-cap 20/8, 75 mm - 1 pc. Bitumen gasket 1,5x85x35 mm - 1 pc. Cable gland U17 M20x1,5 - 1 pc. Shrinktube 12/3 Black, 2 cm - 2 pcs. Shrinktube 4/1 Black, 8 cm - 2 pcs. Shrinktube 16/3 yellow-green, 8 cm - 1 pc. Wire end ferrule 1,5 mm <sup>2</sup> , 7 mm - 2 pcs. Wire end ferrule 2,5 mm <sup>2</sup> , 8 mm - 1 pc.	Art. no.	00109026
			EAN no.	5703466135778
<b>Crimp sets for DEVpipeheat™ 10</b>				
	<b>DEVicrimp for DEVpipeheat™ 10 (DPH-10), Connection box</b>	<b>Connection set with end-cap for connection DEVpipeheat™ to junction box or connection housing and assembly end-termination.</b>  Shrink tube 4/1 Black 10 cm - 2 pcs. Shrink tube 12/3 Black 8,5 cm - 1 pc. Tube PVC ø2 mm Yellow/Green 10 cm - 1 pc. Shrinkfit End-cap 14/4.5 60 mm - 1 pc. Shrink tube 9/3 Black 2 cm - 1 pc.	Art. no.	19806401
			EAN no.	5703466071830
	<b>DEVicrimp for DEVpipeheat™ 10 (DPH-10), Connection cable</b>	<b>Connection set with end-cup for assembly between DEVpipeheat™ and cold lead/SLC and assembly end-termination.</b>  Shrink tube 12/3 Black 15 cm - 1 pc. Shrink tube 9/3 Black 8,5 cm - 1 pc. Shrink tube 6/1,4 Thin Black 2 cm - 1 pc. Double tubular rivet 0,5-1,0 mm <sup>2</sup> - 2 pcs. Double tubular rivet 1,5-2,5 mm <sup>2</sup> - 1 pc. Shrinkfit End-cap 14/4.5 60 mm - 1 pc. Shrink tube 4/1 Black 4,5 cm - 2 pcs.	Art. no.	19806415
			EAN no.	5703466074985

Picture	Name	Description/Technical data		
<b>Crimp sets for DEVIpipeline™, DEVIceguard™, DEVHotwatt™</b>				
	<b>Con. Kit, cable/box self-limiting cables, dk/gb</b>	<b>Connection set with end-cap and flathole packing for connection DEVIpipeline™, DEVIceguard™ or DEVHotwatt™ to junction box or connection housing and assembly end-termination.</b>  Shrinkfit End-cap 14/4.5 60 mm - 1 pc. Hot melt tape 0,5x25 mm 6,7 cm - 1 pc. Hot melt tape 0,5x25 mm 10 cm - 1 pc. Shrink tube 19/9,5 Clear 10 cm - 1 pc. Shrink tube 12/3 Black 2,5 cm - 1 pc. Wire CU 0.30 mm - 1 m Shrink tube 12/3 Black 2 cm - 1 pc. Flathole packing PG16 ø20 mm SLC - 1 pc. Shrink tube 4/1 Black 7 cm - 2 pcs. Package 170 x 230 x 20 mm	Art. no.	19805753
			EAN no.	5703466003879
	<b>Con. Kit, cable/cold tail self-limiting cables, dk/gb</b>	<b>Connection set with end-cap for assembly between DEVIpipeline™, DEVIceguard™ or DEVHotwatt™ and cold lead/SLC and assembly end-termination.</b>  Hot melt tape 0,5x25 mm 10 cm - 1 pc. Shrink tube 19/9,5 Clear 10 cm - 1 pc. Shrinkfit End-cap 14/4.5 60 mm - 1 pc. Shrink tube 19/5 Black 135 mm - 1 pc. Double tubular rivet insul. 1,5-2,5 mm <sup>2</sup> - 3 pcs. Wire CU 0.30 mm - 1 m Shrink tube 12/3 Black 2,5 cm - 1 pc. Shrink tube 12/3 Black 2 cm - 1 pc. Shrink tube 4/1 Black 1,5 cm - 2 pcs. Package 170 x 230 x 20 mm	Art. no.	19805761
			EAN no.	5703466003886
	<b>Con. Kit, cable/cable self-limiting cables, dk/gb</b>	<b>Fitting set for joining of self-limiting cables DEVIpipeline™, DEVIceguard™, DEVHotwatt™ to self-limiting cable.</b>  Shrink tube 12/3 Black 4 cm - 1 pc. Shrink tube 19/5 Black 4 cm - 1 pc. Shrink tube 12/3 Black 8 cm - 1 pc. Hot melt tape 0,5x25 mm 10 cm - 1 pc. Shrink tube 19/9,5 Clear 17 cm - 1 pc. Shrink tube 3/1 Black 6 cm - 1 pc. Soldering tin 0.8 mm RA - 1 m Double tubular rivet insul. 1,5-2,5 mm <sup>2</sup> - 3 pcs. Tape TESA Black 15mm roll 10 m - 1 pc. Package 170 x 230 x 20 mm	Art. no.	19805779
			EAN no.	5703466003893
	<b>DEVICrimp™ t-connection for self-limiting cables</b>	<b>Fitting set for joining of 1 self-limiting cable DEVIpipeline™, DEVIceguard™ or DEVHotwatt™ to 2 self-limiting cables with T-connection.</b>  Shrink tube 19/5 Black 25 cm - 1 pc. Shrink tube 19/5 Black 18 cm - 1 pc. Shrink tube 19/9,5 Clear 10 cm - 1 pc. Shrinkfit End-cap 14/4,5 60 mm - 1 pc. Hot melt tape 0,5x25 mm 10 cm - 1 pc. Shrink tube 9/3 Black 2 cm - 4 pc. Shrink tube 9/3 Black 3,5 cm - 2 pc. Double tubular rivet 4 mm <sup>2</sup> - 1 pc. Double tubular rivet 1,5-2,5 mm <sup>2</sup> - 2 pcs. Shrink tube 4/1 Black 4 cm - 6 pc. Hot melt tape 0,5x25 mm 6 cm - 7 pc. Shrink tube 18/4,5 Splicemelt 12 cm - 1 pc. Package 230 x 320 x 20 mm	Art. no.	19806421
			EAN no.	5703466169780

Picture	Name	Description/Technical data		
	<b>ANSCHLGAR. M/KLEM Z. VERB. VON FLEXIB. KALT</b> (Anschlussgarnitur, mit Klemmstein zur Verbindung von flexibler Kaltleitung und Heizband, Endabschluss)	<b>Connection set with clamping block and with end-termination for assembly between DEVIpipeline™, DEVIhotwatt™, DEVIceguard™ and cold lead.</b>  Shrinktube 24/8 Black 12 cm - 1 pc. Clamping block 5x2,5 mm <sup>2</sup> - 1 pc. Shrinkfit end-cap TEC12-4 - 1 pc. Shrinktube 12/3 Black, 2,5 cm - 1 pc. Shrinktube 3/1,6 yellow-green, 2,5 cm - 1 pc. Wire end ferrule 1,5 mm <sup>2</sup> - 2 pcs.	Art. no.	19400126
			EAN no.	5703435002810
	<b>Endcap</b>	<b>Shrinkfit End-cap TEC12-4</b>  Package 245 x 10 x 170 mm	Art. no.	19400142
			EAN no.	5703435002834
	<b>Anschlussgarnitur fuer poestergehause, pg13,5 m. EN</b>	<b>Connection set with end-cap for connection self-limiting cables to junction box or connection housing and assembly end-termination.</b>  Shrinkfit End-cap TEC12-4 - 1 pc. Cable gland M20, Hole: 5x7,5 mm oval - 1 pc. Cable gland M25, Hole: 5x11,5 mm oval - 1 pc. Shrink tube 12/3 Black 2 cm - 2 pcs. Shrink tube 3/16 Yellow/Green 8 cm - 1 pc. Shrink tube 4/1 Black 8 cm - 2 pcs. Wire end ferrule 1,5 mm <sup>2</sup> - 2 pcs. Package 250 x 25 x 165 mm	Art. no.	19400100
			EAN no.	5703435002797
	<b>Insulation introduction</b>	Cable gland M20, Hole: 5x7,5 mm oval - 1 pc. Cable gland M25, Hole: 5x11,5 mm oval - 1 pc. Metal mounting plate M20 60x60x1 mm AISI304 - 1 pc.	Art. no.	11010410
			EAN no.	5703435031001
	<b>Flathole packing PG16 for self-limiting cables</b>	<b>For cable gland M25 for self-limiting cables DEVIceguard™, DEVIpipeline™ and DEVIhotwatt™.</b>  Size: ø20x6 mm. Hole size: 5x11,5 mm, oval.	Art. no.	19805787
			EAN no.	5703435009192

Picture	Name	Description/Technical data		
<b>Junction box and accessories</b>				
 	<b>Junction box 0,75-2,5 mm<sup>2</sup> 7xM20</b>	<b>Box for indoor installation.</b>  Rated insulation voltage $U_i = 690 \text{ V AC/DC}$ Rated current                    20 A Material                            PP (polypropylene) Degree of protection            IP 66 Width                                93 mm Height                               93 mm Depth                                62 mm Weight                               0,129 kg Tightening torque               0.5 Nm In accordance with              IEC 60670-22	Art. no.	19400167
			EAN no.	5703435002858
   	<b>Junction box 1,5-4 mm<sup>2</sup> 7xM20/M25 UV</b>	<b>Weatherproof box for outdoor installation.</b>  Terminal                            2 clamping units/pole, 5-pole, per pole 8x1,5 mm <sup>2</sup> r/f, 6x2,5 mm <sup>2</sup> r/f, 4x4 mm <sup>2</sup> r/f, 2x6 mm <sup>2</sup> r/f  Rated insulation voltage $U_i = 690 \text{ V AC/DC}$ Rated current                       32 A Material                               PC-GFS (polycarbonate) Degree of protection            IP 66 / IP 67 / IP 69; IP 67, temporary submersion; IP 69, water pressure max. 100 bar, water temp. max. 80°C, distance $\geq 0.15 \text{ m}$  Size weight                                0,17 kg tightening torque                0.7 Nm in accordance with              IEC 60670-22 in accordance with              DNV GL - Certificate No TAE00000EE Russian Maritime Register of Shipping, approved by the letter No. 250-A-1180-108795	Art. no.	19400165
			EAN no.	5703466248539
	<b>Bracket</b>	<b>Fitting for connection of housing or junction box to pipes, etc.</b>	Art. no.	19405851
			EAN no.	5703435002964

Picture	Name	Description/Technical data		
<b>Fastening</b>				
	<b>Heizbandhalter v2a 10 cm cc 10 cm</b>	1000 mm x 30 mm	Art. no.	19805300
			EAN no.	5703466075104
	<b>Heizbandhalter v2a 15 cm cc 15 cm</b>	1000 mm x 30 mm	Art. no.	19805301
			EAN no.	5703466195789
	<b>Spaceclip for self-limiting cables</b>	300 x 5 x 70 mm	Art. no.	19805746
			EAN no.	5703435010501
	<b>Cable ties (1 bag with 100 pcs)</b>	Package 300 x 120 x 20 mm	Art. no.	00109004
			EAN no.	5703466090282

Picture	Name	Description/Technical data		
<b>DEVIconnecto for DEVIceguard™ (B), DEVIpipelineguard™ (B), DEVHotwatt™ (B)</b>				
	<b>DEVIconnecto B-A Connection</b>	Package 130 x 265 x 75 mm	Art. no.	19808360
			EAN no.	5703466103067
	<b>DEVIconnecto B-C Heating cable connection</b>	130 x 265 x 75 mm	Art. no.	19808361
			EAN no.	5703466103074
	<b>DEVIconnecto B-E End termination</b>	130 x 265 x 75 mm	Art. no.	19808362
			EAN no.	5703466103081
	<b>DEVIconnecto B-S Connection termination</b>	130 x 265 x 75 mm	Art. no.	19808363
			EAN no.	5703466103098
	<b>DEVIconnecto B-T, T-Junction + End termination</b>	130 x 265 x 75 mm	Art. no.	19808364
			EAN no.	5703466103104
	<b>DEVIconnecto B-TE2 Junction + 2 End termination</b>	130 x 265 x 75 mm	Art. no.	19808365
			EAN no.	5703466103111
	<b>DEVIconnecto B-TE3 Junction + 3 End termination</b>	130 x 265 x 75 mm	Art. no.	19808366
			EAN no.	5703466103128
	<b>DEVIconnecto B-X, X-Junction + 2 End termination</b>	130 x 265 x 75 mm	Art. no.	19808367
			EAN no.	5703466103135
	<b>DEVIconnecto Bracket, ref AH 61400005</b>	<b>Bracket for installation outside the insulation</b>	Art. no.	19808390
			EAN no.	5703466125021
				



Picture	Name	Description/Technical data		
<b>DEVI EasyConnect for DEVlceguard™ (T), DEVlpipeguard™ (T)</b>				
	<b>DEVI EasyConnect EC-1 Power connection</b>		Art. no.	98300870
			EAN no.	5703466214503
	<b>DEVI EasyConnect EC-T1 Heating cable connection</b>		Art. no.	98300871
			EAN no.	5703466214510
	<b>DEVI EasyConnect EC-ETK End termination</b>		Art. no.	98300872
			EAN no.	5703466214527
	<b>DEVI EasyConnect EC-1 +ETK Power con. + end term.</b>		Art. no.	98300873
			EAN no.	5703466214534
	<b>DEVI EasyConnect EC-T2 Heating cable con x 2</b>		Art. no.	98300874
			EAN no.	5703466214541
	<b>DEVI EasyConnect EC-2 Power connection x 2</b>		Art. no.	98300875
			EAN no.	5703466214558
	<b>DEVI EasyConnect EC-3 Power connection x 3</b>		Art. no.	98300876
			EAN no.	5703466214565

## Accessories and spare parts for dry solutions

Picture	Name	Description/Technical data		
<b>DEVIdry™</b>				
	<b>DEVIdry Pro Supply cord 3m</b>	Package 320 x 400 x 20 mm	Art. no.	19911009
			EAN no.	5703466197301
	<b>DEVIdry X25 Extension cord</b>	Package 200 x 110 x 40 mm	Art. no.	19911110
			EAN no.	5703466177945
	<b>DEVIdry X100 Extension cord</b>	Package 200 x 110 x 40 mm	Art. no.	19911111
			EAN no.	5703466177952
	<b>DEVIdry X200 Extension cord</b>	Package 200 x 110 x 40 mm	Art. no.	19911112
			EAN no.	5703466177969
<b>DEVIfoil™</b>				
	<b>Cold lead 1 x 1.5 mm² Black 50 m</b>	<b>Flexible 1-core cable.</b>  U <sub>0</sub> /U = 450/750 V~. Max. 90/105 °C. Package 210 x 210 x 65 mm	Art. no.	00106010
			EAN no.	5703466124086
	<b>Cold lead 1 x 1.5 mm² Blue 50 m</b>	<b>Flexible 1-core cable.</b>  U <sub>0</sub> /U = 450/750 V~. Max. 90/105 °C. Package 210 x 210 x 65 mm	Art. no.	00106011
			EAN no.	5703466124093
	<b>Cold lead 1 x 2.5 mm² Black 50 m</b>	<b>Flexible 1-core cable.</b>  U <sub>0</sub> /U = 450/750 V~. Max. 90/105 °C. Package 210 x 210 x 65 mm	Art. no.	00106012
			EAN no.	5703466124109
	<b>Cold lead 1 x 2.5 mm² Blue 50 m</b>	<b>Flexible 1-core cable.</b>  U <sub>0</sub> /U = 450/750 V~. Max. 90/105 °C. Package 210 x 210 x 65 mm	Art. no.	00106013
			EAN no.	5703466124116
	<b>Duct tape 50 mm x 50 m (Lærredstape)</b>	<b>Strong self adhesive tape with typical duct features for a wide range of applications. It consists of a 27 mesh woven PET/cotton fabric backing coated with a natural rubber adhesive.</b>  Backing PE laminated cloth Total thickness 230 µm Type of adhesive natural rubber Adhesion to steel 4.4 N/cm Elongation at break 18 % Tensile strength 30 N/cm Temperature resistance 95 °C (30 min) Mesh 27 count per inch <sup>2</sup> Producer type tesa® 4662	Art. no.	98931300
			EAN no.	5703466147894

Picture	Name	Description/Technical data	Art. no.	EAN no.
	<b>Tape 2-sided 25 mm x 50 m, double-faced</b>	<b>Double-sided tape with a non-woven backing. General purpose. The thick layer of adhesive bonds well on uneven surfaces and has a very high initial bond.</b>  Backing material non-woven Total thickness 110 µm Type of adhesive synthetic rubber Adhesion initial />14 days Steel 12/13 N/cm, PE 5,5/7 N/cm, PP 7/12 N/cm, PVC 9/12,5 N/cm  Temp. resistance short term 80 °C, long term 40 °C  Producer type tesa® 51570	98931301	5703466147900
	<b>Vulkatape vm 38 mm x 6 m</b>	<b>For isolation of DEVIfoil™ connectors after connecting to the foils powerlines</b>	98931302	5703466147917
	<b>Depron glue, 5 kg</b>	Package 195 x 195 x 140 mm	00106017	5703466207338
	<b>Connector for DEVIfoil™ Floor, 500 pc (1 box)</b>	Package 170 x 150 x 140 mm	98931203	5703466128893
	<b>Pliers for connectors</b>	Package 150 x 20 x 120 mm	98931205	5703466128923
	<b>Depron®, 3 mm, 40 pc (1 box), -60°C to +70°C, 80 cm x 125 cm</b>	1260 x 820 x 135 mm	00106014	5703466125137
	<b>Depron®, 6 mm, 20 pc (1 box), -60°C to +70°C, 80 cm x 125 cm</b>	1260 x 820 x 135 mm	00106015	5703466125144

## Accessories and spare parts for controls

Picture	Name	Description/Technical data		
<b>For DEVireg™ 233</b>				
	<b>DEVireg™ 233 Front, knob 1 pcs. in box, White</b>		Art. no.	19805922
			EAN no.	5703466164587
	<b>DEVireg™ 233 Front, knob 1 pcs. in box, Light grey</b>		Art. no.	19805923
			EAN no.	5703466164594
	<b>DEVireg™ 233 Front, knob 1 pcs.in box, Charcoal grey</b>		Art. no.	19805924
			EAN no.	5703466164600
<b>For thermostats with flush-mounted fixing</b>				
	<b>Wall box ELKOS45/6 w/stub E-1223708</b>	Package 130 x 70 x 50 mm	Art. no.	19808922
			EAN no.	5703435003381
	<b>Multiboks PFXP/red E-1223740</b>	Package 76 x 71 x 55 mm	Art. no.	19808930
			EAN no.	5703435003398
	<b>Wall mounting Box EURO size w. ELKO Frame RS-16 L571 PH Bright rounded corners</b>	Package 87 x 87 x 40 mm	Art. no.	19808932
			EAN no.	5703466078242
	<b>Wall box EURO size ELKO Plus 40mm E-1470812 sharp corners</b>	Package 86 x 86 x 40 mm Single surface house ELKO Plus Colour Polarwhite Height 40 mm Halogenfree Screw distance, C-C 60 mm	Art. no.	189B9139
			EAN no.	5703466213780
<b>For DEVireg™ 610</b>				
	<b>Pipe assembly set, dk</b>	Package 85 x 85 x 32 mm	Art. no.	19116920
			EAN no.	5703465002873

Picture	Name	Description/Technical data						
<b>Sensors and accessories for sensors</b>								
	<b>Room sensor FUGA-frame</b>	63 x 63 x 25 mm, NTC 15 kOhm at 25 °C, IP 20	Art. no.	140F1090				
			EAN no.	5703466209295				
	<b>Room sensor, 426-frame</b>	85 x 85 x 30 mm, NTC 15 kOhm at 25 °C, IP 20	Art. no.	140F1095				
			EAN no.	5703466209684				
	<b>Outdoor sensor IP44</b>	80 x 50 x 35 mm, NTC 15 kOhm at 25 °C, IP 44	Art. no.	140F1096				
			EAN no.	5703466209691				
	<b>Sensor cable 3 m, 15 kOhm, Santropene</b>	Wire sensor 2x0,75 mm <sup>2</sup> , NTC 15 kOhm at 25 °C, Ø5 mm, black Santropene (TPV) outer sheath, IP 67, Temp. range -25 °C to 90 °C	Temp., °C	Resistanse, kOhm	Art. no.	140F1091		
			-10	66,1	EAN no.	5703466209301		
			-5	52,5				
	<b>Temperature Sensor 10 m NTC 15k Santropene</b>		0	41,1	Art. no.	140F1098		
			5	33,2			EAN no.	5703466210734
			10	27,0				
	<b>Temperature Sensor 40 m NTC15k Santropene</b>		15	22,1	Art. no.	19121445		
			20	18,2			EAN no.	5703466115015
			25	15,0				
			30	12,3				
			35	10,4				
			40	8,7				
45	7,4							
50	6,2							
	<b>Outdoor sensor 2,5 m, 15 kOhm, PVC, DIN 44574</b>	Wire sensor, 2x0,75 mm <sup>2</sup> , NTC 15 kOhm at 25 °C, Ø8 mm, white PVC outer sheath, IP 67, Temp. range -25 °C to 70 °C	Art. no.	140F1092				
			EAN no.	5703466209318				
	<b>Silicon temperature sensor for DEVIreg™ 330 (60-160°C), NTC 16,7 kOhm @ 100°C</b>	Wire sensor, 2,5 m, 2x0,75 mm <sup>2</sup> , NTC 16,7 kOhm at 100 °C, Ø9 mm, IP 65, Temp. range 50 °C to 170 °C	Art. no.	140F1097				
			EAN no.	5703466209707				
	<b>Flexpipe Ø6,7 mm, 2,5 m</b>	Package 170 x 240 x 20 mm, inner Ø6,7 mm, outer Ø10 mm, Black	Art. no.	140F1114				
			EAN no.	5703466215234				

Picture	Name	Description/Technical data		
	<b>Flexpipe Ø6,7 mm, 2,5 m with plug</b>	Package 170 x 230 x 25 mm, inner Ø6,7 mm, outer Ø10 mm	Art. no.	19809106
			EAN no.	5703466178607
	<b>AstroFlex FFTYL Ø8,5 mm, roll 50 m</b>	Package 400 x 130 x 400 mm, Flexpipe for sensor and cable protection.	Art. no.	19809100
			EAN no.	5703435009314
	<b>Sensor shell M20</b>	Size 95 x Ø20 mm	Art. no.	12500112
			EAN no.	5703435031025
	<b>Sensor end-cap brass for Flexpipe Ø6,7 mm</b>	Package 60 x Ø12 mm, size 60 x Ø12 mm, inner Ø6,7 mm, inner Ø10 mm	Art. no.	12500120
			EAN no.	5703466111543
	<b>Accessory kit Elements Transition Pipe</b>	Mounting kit for 3 m wire sensor	Art. no.	18055354
			EAN no.	5703466124420
<b>For DEVireg™ 850</b>				
	<b>Sensor tube and cap for DEVireg™ 850</b>	Installation tube for Ground Sensor DEVireg™ 850 Ø 93 x 98	Art. no.	19119977
			EAN no.	5703466208359
	<b>PSU CP-D 24/2.5 100-240VAC/24VDC DINrail</b>	Primary switch mode Power Supply Unit for DEVireg 850. Input voltage                    100-240 VAC, 47-63 Hz Output voltage                    24 VDC (24-28 VDC) Output current/ power, max                        2,5 A / 60 W Ambient temp., operation       -40...+70 °C IP class                                IP20 Mounting                            on DIN-rail Dimensions (H/W/D)            85 x 73 x 53 mm	Art. no.	140F1089
			EAN no.	5703466209721

## Accessories and spare parts for other heating elements

Picture	Name	Description		
<b>DEVIlrail™</b>				
	<b>Fitting towel rail, chrome 20 W / 40 W / 60 W</b>	For support on the middle, especially for the 20 W and 60 W rails	Article no.	98805195
			EAN no.	5703464010053
	<b>Fitting towel rail, white 20 W / 40 W / 60 W</b>	For support on the middle, especially for the 20 W and 60 W rails.	Article no.	98805203
			EAN no.	5703464010060
	<b>Assembly kit for towel rail, white</b>	Package 270 x 150 x 10 mm	Article no.	98805013
			EAN no.	5703464006223
	<b>Assembly kit for towel rail, chrome</b>	Package 270 x 150 x 30 mm	Article no.	98805021
			EAN no.	5703464006230
<b>DEVltemp™</b>				
	<b>Wall mounting for DEVltemp™ cabin A</b>	Package 280 x 40 x 130 mm	Article no.	19400514
			EAN no.	5703435010464
	<b>Wall mounting for DEVltemp™ cabin B</b>	Package 360 x 150 x 40 mm	Article no.	19400522
			EAN no.	5703435010471
	<b>Button</b>	Button for DEVltemp™ 115T, DEVltemp™ 121T	Article no.	19001874
			EAN no.	5703435001332
	<b>Heating element 400 V, 2000 W</b>	Heating element for DEVltemp™ 106T	Article no.	23804776
			EAN no.	5703466168752
	<b>Heating element 400 V, 3000 W</b>	Heating element for DEVltemp™ 109T	Article no.	23804792
			EAN no.	5703466208779
	<b>Heating element 400 V, 3500 W</b>	Heating element for DEVltemp™ 121T	Article no.	23804594
			EAN no.	5703464001761
	<b>3-pole thermostat 0-40°C, 125°C</b>	Thermostat for DEVltemp™ 303T	Article no.	19002237
			EAN no.	5703466096475
	<b>3-pole thermostat 0-40°C, 165°C</b>	Thermostat for DEVltemp™ 106T, DEVltemp™ 109T	Article no.	19001296
			EAN no.	5703464010909
	<b>1-pole thermostat 0-40°C</b>	Thermostat for DEVltemp™ 115T, DEVltemp™ 121T	Article no.	19001056
			EAN no.	5703435001257
	<b>1-pole thermal fuse 160°C</b>	Thermostat for DEVltemp™ 115T, DEVltemp™ 121T	Article no.	19002211
			EAN no.	5703464008524





# Index

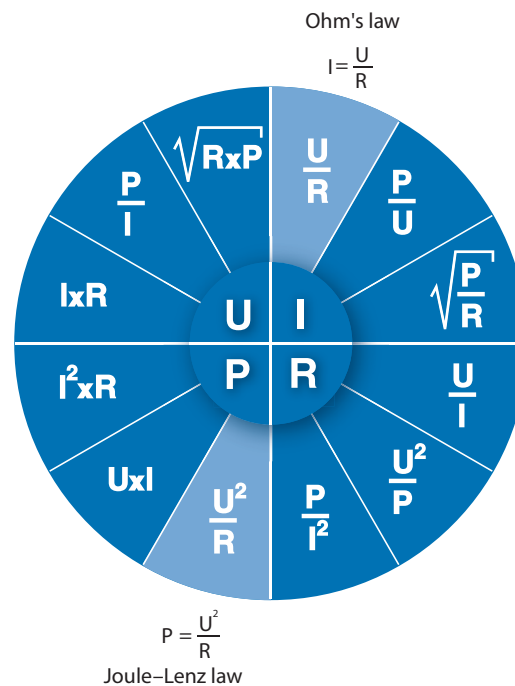
Floor Heating .....	4	DEVImulti™ PVC .....	84
Ice & snow melting .....	6	DEVIheat™ Sport 90S .....	86
Pipe tracing .....	8	DEVI sport™ .....	88
Fields .....	10	DEVIfoil™ Mirror .....	89
Cold stores .....	12	DEVIreg™ 233 .....	90
Cold stores and concrete hardening .....	13	DEVIreg™ 130, DEVIreg™ 132 .....	91
Other heating elements .....	14	DEVIreg™ 530, DEVIreg™ 531, DEVIreg™ 532, DEVIreg™ 530M .....	93
DEVIflex™ 6T .....	16	DEVIreg™ Opti .....	95
DEVIflex™ 10T .....	17	DEVIreg™ Touch .....	97
DEVIflex™ 18T .....	18	DEVIreg™ Smart .....	99
DEVIflex™ 30T .....	19	DEVIreg™ Hotwater .....	101
DEVIbasic™ 10S .....	20	DEVIreg™ 330 .....	103
DEVIbasic™ 20S - 230 V, DEVIbasic™ 20S - 400 V .....	21	DEVIreg™ 316 .....	105
DEVIbasic™ Drum Goods .....	22	DEVIreg™ 610 .....	106
DEVIcomfort™ 10T .....	24	DEVIreg™ Multi .....	107
DEVI mat™ 70T .....	26	DEVIreg™ 850 IV .....	109
DEVI mat™ 100T .....	28	Thermostat range for Indoor applications .....	111
DEVI mat™ 150T .....	30	Thermostat range for Outdoor applications .....	112
DEVI mat™ 200T .....	32	DEVItemp™ Fan Heater .....	113
DEVIcomfort™ 100T .....	33	DEVItronic™ .....	114
DEVIcomfort™ 150T .....	34	DEVIrail™ .....	115
DEVIheat™ 150S, DEVIheat™ Mirror 150S .....	36	Accessories and spare parts for cables and mats .....	116
DTCE 100T .....	38	Resistive heating cables: crimp sets .....	121
DTCE 150T .....	39	Self-limiting heating cables: crimp sets .....	123
DTCE 175T .....	40	Accessories and spare parts for dry solutions .....	130
DEVI dry™ 55 .....	42	Accessories and spare parts for controls .....	132
DEVI dry™ 100 .....	43	Accessories and spare parts for other heating elements .....	135
DEVI dry™ Pro Kit .....	44	Index .....	137
DEVIcell™ .....	45	Expand your knowledge .....	138
DEVI pipeheat™ 10 V2 .....	46		
DEVI aqua™ 9T - 230 V, DEVI aqua™ 9T - 400 V, DEVI aqua™ Special Order .....	48		
DEVI safe™ 20T - 230V .....	50		
DEVI snow™ 20T - 230 V, DEVI snow™ 20T - 400 V .....	53		
DEVI snow™ 30T - 230 V, DEVI snow™ 30T - 400 V .....	55		
DEVI snow™ 300T - 230 V, DEVI snow™ 300T - 400 V .....	57		
DEVI snow™ Drum Goods .....	59		
DEVI asphalt™ 30T .....	60		
DEVI asphalt™ 300T - 230 V, DEVI asphalt™ 300T - 400 V ..	62		
DEVI pipeguard™ 10 (B), DEVI pipeguard™ 25 (B), DEVI pipeguard™ 33 (B) .....	64		
DEVI connecto .....	66		
DEVI pipeguard™ 10 (T), DEVI pipeguard™ 25 (T), DEVI pipeguard™ 33 (T) .....	68		
DEVI pipeguard™ 10 LSZH (T), DEVI pipeguard™ 25 LSZH (T), DEVI pipeguard™ 33 LSZH (T) .....	70		
DEVI EasyConnect .....	72		
DEVI pipeguard™ 30 Industry (PT-30), DEVI pipeguard™ 60 Industry (PT-60) .....	74		
DEVI iceguard™ 18 (B) .....	76		
DEVI iceguard™ 18 (T) Drum Goods .....	78		
DEVI iceguard™ 18 (G) Ready-made .....	80		
DEVI hotwatt™ 45 (B), DEVI hotwatt™ 55 (B), DEVI hotwatt™ 70 (B) .....	82		

## Expand your knowledge

Danfoss Floor Heating Electrical is Europe's leading manufacturer of intelligent electrical floor heating and frost protection systems.

This position is secured by a dedicated focus on advanced and above all user-friendly systems, developed in the world's largest competence center for floor heating.

## Electrotechnical formulas



### Cable calculation formulas

$$L = U / \sqrt{(p \cdot r)},$$

$$r = U^2 / (L^2 \cdot p),$$

$$p = U^2 / (L^2 \cdot r),$$

where:

- L – length of heating cable (m);
- U – supply voltage (V);
- p – specific output (W/m);
- r – specific resistance (Ohm/m).

## Your local DEVI<sup>®</sup> team is ready to help



### Sales office location

Danfoss A/S  
Electric Heating Solutions  
DK-7100 Vejle  
Email: [info@devi.com](mailto:info@devi.com)

DEVI - an abbreviation of Dansk El-Varme Industri - was established in Copenhagen, Denmark, in 1942.

At the beginning DEVI manufactured heating elements for industrial purposes. In the early sixties DEVI starts to take an interest in electric heating cables and the oldest heating cable installations are from the early sixties.

### From Copenhagen to Vejle

As is the case with many other Danish companies DEVI chooses to move its activities from Copenhagen to the provinces during the seventies and in the early eighties. DEVI settles in Vejle where the communications such as motorway and railway are good and which is close to an international airport. But first of all the industry has easy access to motivated and qualified manpower.

### The modern DEVI starts in 1985

Over the sixties and seventies the industrial heating elements were still the far most important product group but in the early eighties a considerable export of heating cables begin, to begin with to Finland. The first subsidiary companies in Germany, Sweden and Norway are established in the mid eighties and the export adventure starts to take shape. Throughout the nineties things start speeding up and a number of subsidiary companies are established, among other places in the previous East bloc countries.

### European Market Leader

Since the beginning in Copenhagen in 1942 things have accelerated. Today DEVI is Europe's leading company within the industry with a considerable market share.





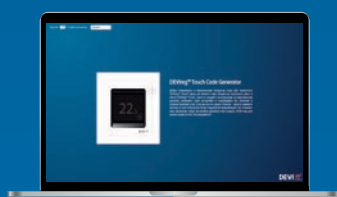
## Switch functionality to DEVreg™ Smart is available in a new version of DEVsmart™ application (1.2.3)

The application (app) improved with a new feature – timed switch functionality is released now for iOS and Android users. It means that DEVreg™ Smart can now be used as an ON/OFF switch for multiple purposes. The app will also log some data on iOS systems to help improve our app further.

You may download the free app named DEVsmart™ from Google Play or App Store and try it.



## HEXA-code generator for DEVreg™ Touch



This virtual instrument allows to create a special HEXA code according to specific DEVreg™ Touch thermostat's settings in order to have two-way communication to setup them by distance. You may find HEXA-code generator on [www.devi.com](http://www.devi.com) website or using this QR



## Electric Heating (EH) Plugin for AutoCAD

A free plugin in Electric Heating for AutoCAD is updated with a new version:

Danfoss DEVI Plugin 2020.6.1 for AutoCAD 2017-2021.

The plugin supports your engineering and design journey by making your work faster due to simple functionalities in calculating all lengths, dimensions and product data of cables and mats. It covers all applications within Electric Heating projects. It is available to be downloaded on [www.devi.com](http://www.devi.com) website or using this QR

